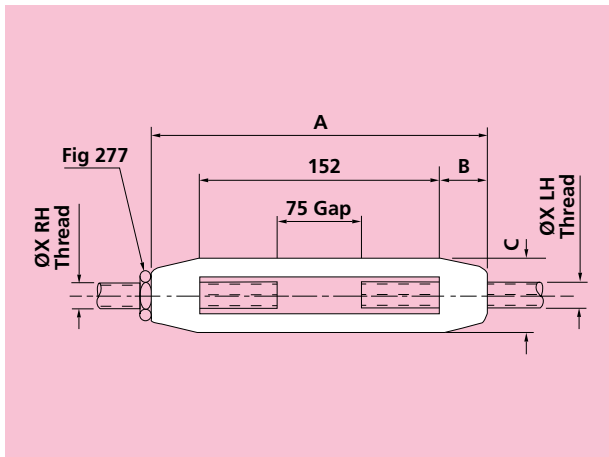


## 235 TURNBUCKLE THREADED RIGHT HAND/LEFT HAND 235A TURNBUCKLE THREADED RIGHT HAND BOTH ENDS



*Material: Forged Steel or Carbon Steel  
This item may be forged or profiled*

PART NUMBER RH/LH	PART NUMBER RH/RH	ROD DIA X	A	B	C	Wt. kgf	LOAD CAPACITY		LOAD GROUP
							kgf	kN	
F235M08	F235AM08	8	182	15	28	0.50	230	2.3	0
F235M10	F235AM10	10	182	15	28	0.50	360	3.5	1
F235M12	F235AM12	12	192	20	32	0.64	530	5.2	2
F235M16	F235AM16	16	204	26	42	0.92	1010	9.9	3
F235M20	F235AM20	20	214	31	50	1.4	1580	15.5	4
F235M24	F235AM24	24	230	39	60	2.4	2280	22.4	5
F235M30	F235AM30	30	256	52	68	4.0	3650	35.8	6
F235M36	F235AM36	36	276	62	84	6.0	5340	52.4	7
F235M42	F235AM42	42	276	62	84	6.0	7400	72.6	8
F235M48	F235AM48	48	305	77	108	11.9	9650	94.6	9
F235M56	F235AM56	56	343	96	145	17.6	13350	130.8	10
F235M64	F235AM64	64	343	96	145	23.6	18000	176.5	11
F235M72	F235AM72	72	372	110	156	27.3	23025	225.8	12
F235M80	F235AM80	80	392	120	172	38.7	28125	275.8	13

5

6

7

8