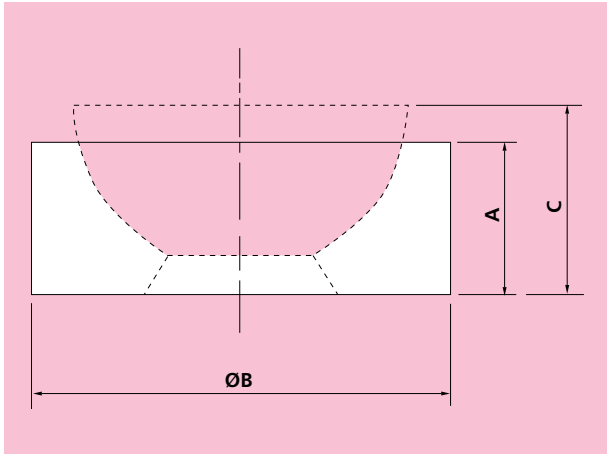


280 CUP FOR SPHERICAL WASHER



Material: Cast Iron or Carbon Steel

PART NUMBER	ROD SIZE	A	B	C	WEIGHT kgf	LOAD CAPACITY		LOAD GROUP
						kgf	kN	
F280M08	8	10	29	13	0.05	230	2.3	0
F280M10	10	12	32	14	0.06	360	3.5	1
F280M12	12	13	35	16	0.06	530	5.2	2
F280M16	16	16	41	19	0.09	1010	9.9	3
F280M20	20	19	54	24	0.18	1580	15.5	4
F280M24	24	25	63	32	0.37	2280	22.4	5
F280M30	30	29	76	35	0.54	3650	35.8	6
F280M36	36	35	95	44	1.1	5340	52.4	7
F280M42	42	44	105	49	1.8	7400	72.6	8
F280M48	48	48	130	58	3.0	9650	94.6	9
F280M56	56	51	152	68	3.8	13350	130.9	10
F280M64	64	60	172	78	6.2	18000	176.5	11
F280M72	72	68	194	88	8.8	23025	225.8	12
F280M80	80	76	215	98	12.1	28125	275.8	13