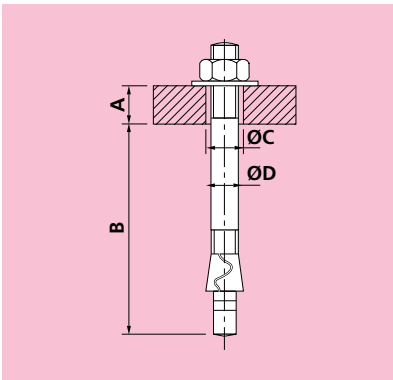
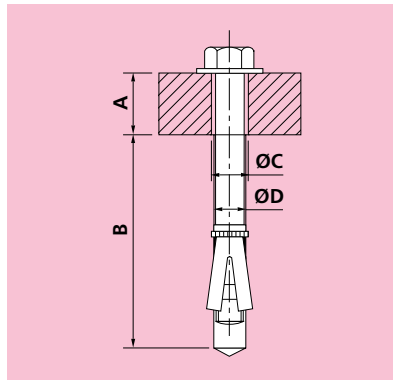


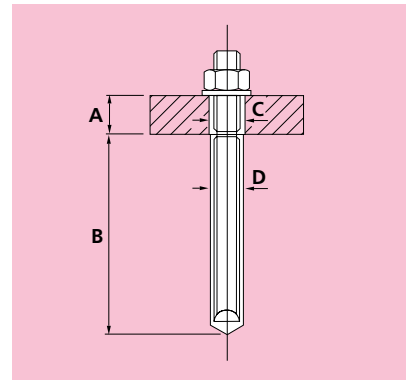
284 HILTI HSA KA



285 HILTI HSL



286 HILTI HVA ADHESIVE ANCHOR



Material: Carbon Steel. Also available in Stainless Steel

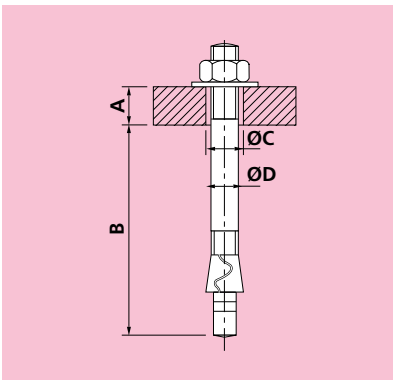
PART NUMBER	(MAX)A	B	C	D
F284-M6x65	20	45	6.6	6
F284-M6x85	40	45	6.6	6
F284-M8x75	23	50	9	8
F284-M8x92	40	50	9	8
F284-M10x90	25	70	11	10
F284-M10x108	45	70	11	10
F284-M12x100	25	70	13.5	12
F284-M12x120	45	70	13.5	12
F284-M16x120	25	90	17.5	16
F284-M16x140	45	90	17.5	16
F284-M20x125	10	105	22	20
F284-M20x170	55	105	22	20

PART NUMBER	(MAX)A	B	C	D
F285-M8/20	20	80	14	12
F285-M8/40	40	80	14	12
F285-M10/20	20	90	17	15
F285-M10/40	40	90	17	15
F285-M12/25	25	100	20	18
F285-M12/50	50	100	20	18
F285-M16/25	25	125	26	24
F285-M16/50	50	125	26	24
F285-M20/30	30	155	31	28
F285-M20/60	60	155	31	28
F285-M24/30	30	180	35	32
F285-M24/60	60	180	35	32

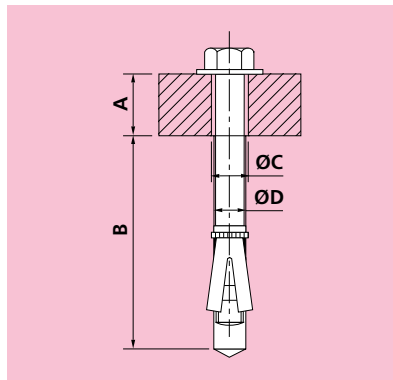
PART NUMBER	(MAX)A	B	C	D
F286-M8	14	80	11	10
F286-M10	21	90	13	12
F286-M12	28	110	15	14
F286-M16	38	125	19	18
F286-M20	48	170	25	24
F286-M24	54	210	29	28
F286-M27	60	240	31	30
F286-M30	70	270	36	35
F286-M33	80	300	38	37
F286-M36	90	330	41	40
F286-M39	100	360	43	42

Adhesive anchor. HVU capsule with HAS rod.

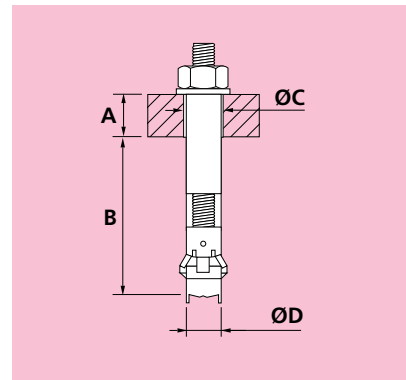
287 HILTI HST



288 HILTI HSL-TZ



289 HILTI HUC



Material: Carbon Steel. Also available in Stainless Steel

PART NUMBER	(MAX)A	B	C	D
F287-M8/95	30	65	9	8
F287-M10/110	30	80	12	10
F287-M12/145	50	95	14	12
F287-M12/215	120	95	14	12
F287-M16/165	50	115	18	16
F287-M16/215	100	115	18	16
F287-M20/200	60	140	22	20
F287-M20/270	130	140	22	20
F287-M24/230	60	170	26	24

PART NUMBER	(MAX)A	B	C	D
F288-M8/40	40	80	14	12
F288-M10/40	40	90	17	15
F288-M12/50	50	105	20	18
F288-M16/50	50	125	26	24
F288-M20/60	60	160	31	18
F288-M24/60	60	180	35	32

PART NUMBER	(MAX)A	B	C	D
F289-M12x125/25	30	155	27	25
F289-M12x125/50	50	155	27	25
F289-M12x125/75	75	155	27	25
F289-M16x170/30	35	200	33	30
F289-M16x170/60	60	200	33	30
F289-M16x170/90	90	200	33	30
F289-M20x220/30	35	260	35	32
F289-M20x220/60	60	260	35	32
F289-M20x220/90	90	260	35	32

Note: This item requires concrete undercutting tool.