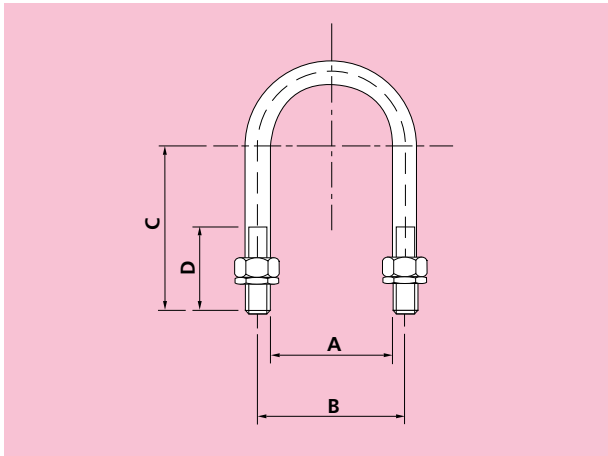


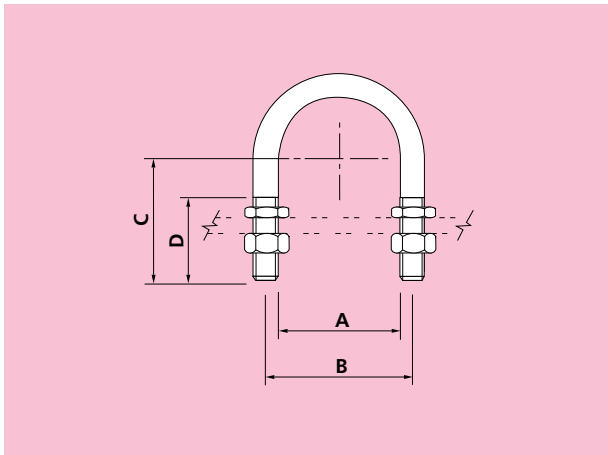
311 U BOLT GRIP TYPE -20°C to 350°C



Material: Carbon Steel. Also available in Stainless Steel

| PART No. | PIPE NB | | Thread Size | A | B | C | D | Load capacities (kg) | | |
|----------|---------|-------|-------------|-----|-----|-----|----|----------------------|---------|-------|
| | mm | in | | | | | | Vertical | Lateral | Axial |
| F311-10 | 10 | 3/8 | 8 | 19 | 27 | 34 | 23 | 460 | 210 | 100 |
| F311-15 | 15 | 1/2 | 8 | 23 | 31 | 36 | 25 | 460 | 170 | 80 |
| F311-20 | 20 | 3/4 | 8 | 29 | 37 | 43 | 25 | 460 | 140 | 70 |
| F311-25 | 25 | 1 | 8 | 37 | 45 | 44 | 25 | 460 | 100 | 50 |
| F311-32 | 32 | 1 1/4 | 8 | 47 | 55 | 50 | 25 | 460 | 80 | 40 |
| F311-40 | 40 | 1 1/2 | 10 | 50 | 60 | 61 | 35 | 720 | 140 | 70 |
| F311-50 | 50 | 2 | 10 | 65 | 75 | 65 | 35 | 720 | 110 | 60 |
| F311-65 | 65 | 2 1/2 | 12 | 78 | 90 | 86 | 45 | 1060 | 160 | 80 |
| F311-80 | 80 | 3 | 16 | 92 | 108 | 98 | 50 | 2020 | 330 | 170 |
| F311-100 | 100 | 4 | 16 | 119 | 135 | 110 | 50 | 2020 | 250 | 120 |
| F311-125 | 125 | 5 | 16 | 144 | 160 | 123 | 50 | 2020 | 210 | 100 |
| F311-150 | 150 | 6 | 20 | 170 | 190 | 141 | 55 | 3160 | 340 | 170 |
| F311-200 | 200 | 8 | 20 | 225 | 245 | 176 | 65 | 3160 | 260 | 130 |
| F311-250 | 250 | 10 | 20 | 280 | 300 | 203 | 65 | 3160 | 210 | 100 |
| F311-300 | 300 | 12 | 20 | 330 | 350 | 228 | 65 | 3160 | 170 | 90 |
| F311-350 | 350 | 14 | 24 | 361 | 385 | 251 | 75 | 4560 | 280 | 140 |
| F311-400 | 400 | 16 | 24 | 411 | 435 | 285 | 80 | 4560 | 240 | 120 |
| F311-450 | 450 | 18 | 24 | 461 | 485 | 300 | 70 | 4560 | 220 | 110 |
| F311-500 | 500 | 20 | 24 | 516 | 540 | 334 | 75 | 4560 | 190 | 100 |
| F311-600 | 600 | 24 | 24 | 616 | 640 | 383 | 75 | 4560 | 160 | 80 |

313 U BOLT NON GRIP TYPE -20°C to 350°C



Material: Carbon Steel. Also available in Stainless Steel

| PART No. | PIPE NB | | Thread Size | A | B | C | D | Load Capacities (kg) | | |
|----------|---------|-------|-------------|-----|-----|-----|----|----------------------|---------|-------|
| | mm | in | | | | | | Vertical | Lateral | Axial |
| F313-10 | 10 | 3/8 | 8 | 28 | 36 | 23 | 23 | 170 | 130 | 70 |
| F313-15 | 15 | 1/2 | 8 | 32 | 40 | 25 | 25 | 150 | 120 | 60 |
| F313-20 | 20 | 3/4 | 8 | 37 | 45 | 33 | 30 | 140 | 100 | 50 |
| F313-25 | 25 | 1 | 8 | 42 | 50 | 35 | 30 | 130 | 90 | 40 |
| F313-32 | 32 | 1 1/4 | 8 | 52 | 60 | 40 | 30 | 110 | 70 | 40 |
| F313-40 | 40 | 1 1/2 | 10 | 55 | 65 | 53 | 40 | 190 | 130 | 70 |
| F313-50 | 50 | 2 | 10 | 70 | 80 | 60 | 40 | 160 | 100 | 50 |
| F313-65 | 65 | 2 1/2 | 12 | 83 | 95 | 73 | 50 | 230 | 150 | 80 |
| F313-80 | 80 | 3 | 16 | 94 | 110 | 85 | 55 | 470 | 310 | 160 |
| F313-100 | 100 | 4 | 16 | 124 | 140 | 95 | 55 | 380 | 240 | 120 |
| F313-125 | 125 | 5 | 16 | 149 | 165 | 108 | 55 | 330 | 200 | 100 |
| F313-150 | 150 | 6 | 20 | 175 | 195 | 128 | 65 | 540 | 330 | 160 |
| F313-200 | 200 | 8 | 20 | 230 | 250 | 150 | 65 | 430 | 250 | 130 |
| F313-250 | 250 | 10 | 20 | 285 | 305 | 183 | 75 | 350 | 200 | 100 |
| F313-300 | 300 | 12 | 20 | 335 | 355 | 208 | 75 | 310 | 170 | 90 |
| F313-350 | 350 | 14 | 24 | 366 | 390 | 230 | 80 | 480 | 270 | 140 |
| F313-400 | 400 | 16 | 24 | 416 | 440 | 255 | 80 | 430 | 240 | 120 |
| F313-450 | 450 | 18 | 24 | 471 | 495 | 278 | 80 | 380 | 210 | 110 |
| F313-500 | 500 | 20 | 24 | 521 | 545 | 303 | 80 | 350 | 190 | 100 |
| F313-600 | 600 | 24 | 24 | 621 | 645 | 353 | 80 | 300 | 160 | 80 |