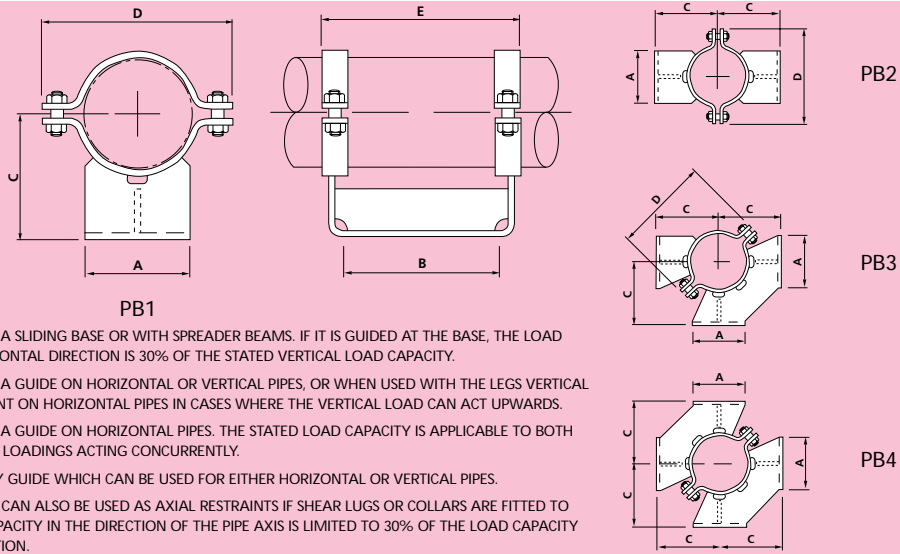


PB PIPE CLAMP BASE FOR USE AS A SLIDING BASE OR WITH TYPE 487 SPREADER BEAMS



PB1
 TYPE PB1 IS FOR USE AS A SLIDING BASE OR WITH SPREADER BEAMS. IF IT IS GUIDED AT THE BASE, THE LOAD CAPACITY IN THE HORIZONTAL DIRECTION IS 30% OF THE STATED VERTICAL LOAD CAPACITY.

PB2
 TYPE PB2 IS FOR USE AS A GUIDE ON HORIZONTAL OR VERTICAL PIPES, OR WHEN USED WITH THE LEGS VERTICAL AS A VERTICAL RESTRAINT ON HORIZONTAL PIPES IN CASES WHERE THE VERTICAL LOAD CAN ACT UPWARDS.

PB3
 TYPE PB3 IS FOR USE AS A GUIDE ON HORIZONTAL PIPES. THE STATED LOAD CAPACITY IS APPLICABLE TO BOTH VERTICAL AND LATERAL LOADINGS ACTING CONCURRENTLY.

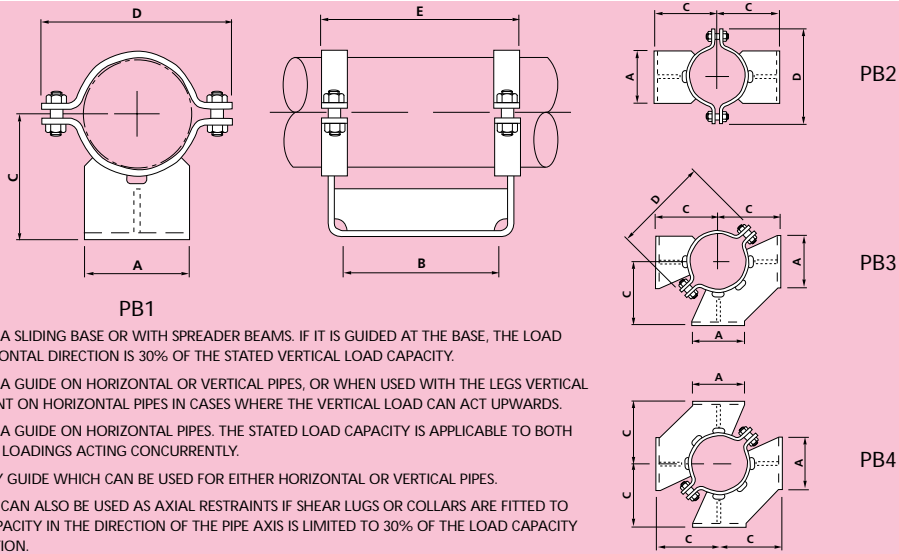
PB4
 TYPE PB4 IS A TWO WAY GUIDE WHICH CAN BE USED FOR EITHER HORIZONTAL OR VERTICAL PIPES.

ANY OF THE PIPE BASES CAN ALSO BE USED AS AXIAL RESTRAINTS IF SHEAR LUGS OR COLLARS ARE FITTED TO THE PIPE. THE LOAD CAPACITY IN THE DIRECTION OF THE PIPE AXIS IS LIMITED TO 30% OF THE LOAD CAPACITY IN THE VERTICAL DIRECTION.

Material: Carbon Steel to 400°C Alloy Steel above 400°C Base Plate Weldable Carbon Steel

Part No. (Type PB1)	Pipe O/D		A	B	C		D	E	Max. Temp.	Max Lagging Thick.	Weight				Load Capacity (See Notes)
	mm	in			mm	mm					mm	in	mm	mm	
For Multi-Leg types, replace PB1 with PB2, PB3 or PB4															
PB1-15-1-400	21.3	0.839	50	150	90	3 ⁹ / ₁₆	96	185	400	75	1.7	3.0	4.2	5.4	360
PB1-15-1-530	21.3	0.839	70	150	110	4 ⁵ / ₁₆	96	190	530	95	2.6	4.4	6.2	8.0	360
PB1-15-1-600	21.3	0.839	80	150	140	5 ¹ / ₂	96	190	600	125	3.0	5.4	7.7	10	360
PB1-20-1-400	26.7	1.051	50	150	90	3 ⁹ / ₁₆	106	185	400	75	1.8	3.0	4.2	5.4	360
PB1-20-1-530	26.7	1.051	70	150	110	4 ⁵ / ₁₆	106	190	530	95	2.6	4.5	6.3	8.1	360
PB1-20-1-600	26.7	1.051	80	150	140	5 ¹ / ₂	106	190	600	125	3.1	5.4	7.7	10	360
PB1-25-1-400	33.4	1.315	50	150	90	3 ⁹ / ₁₆	116	185	400	70	1.9	3.1	4.3	5.5	360
PB1-25-1-530	33.4	1.315	70	150	120	4 ³ / ₄	116	190	530	100	2.8	4.7	6.5	8.4	360
PB1-25-1-600	33.4	1.315	80	150	140	5 ¹ / ₂	116	190	600	120	3.2	5.5	7.8	10	360
PB1-32-1-400	42.2	1.661	60	150	100	3 ¹⁵ / ₁₆	126	185	400	75	2.2	3.7	5.2	6.7	360
PB1-32-1-530	42.2	1.661	70	150	120	4 ³ / ₄	126	190	530	95	2.9	4.7	6.6	8.4	360
PB1-32-1-600	42.2	1.661	90	150	150	5 ⁷ / ₈	126	190	600	125	3.7	6.3	8.9	12	360
PB1-40-1-400	48.3	1.902	60	150	100	3 ¹⁵ / ₁₆	126	185	400	75	2.2	3.7	5.2	6.6	360
PB1-40-1-530	48.3	1.902	80	150	130	5 ¹ / ₈	136	190	530	105	3.3	5.5	7.7	9.9	360
PB1-40-1-600	48.3	1.902	90	150	150	5 ⁷ / ₈	136	190	600	125	3.7	6.4	9.0	12	360
PB1-50-2-400	60.3	2.375	70	150	110	4 ⁵ / ₁₆	146	203	400	75	2.7	4.4	6.2	8.0	530
PB1-50-2-530	60.3	2.375	80	150	130	5 ¹ / ₈	146	208	530	95	3.4	5.6	7.7	9.9	530
PB1-50-2-600	60.3	2.375	100	150	160	6 ⁵ / ₁₆	146	208	600	125	4.2	7.2	10	13	530
PB1-65-2-400	73	2.875	70	200	110	4 ⁵ / ₁₆	166	253	400	70	3.1	5.2	7.2	9.3	530
PB1-65-2-530	73	2.875	80	200	140	5 ¹ / ₂	166	258	530	100	4.0	6.6	9.2	12	530
PB1-65-2-600	73	2.875	100	200	160	6 ⁵ / ₁₆	176	268	600	120	6.5	9.9	13	17	530
PB1-80-2-400	88.9	3.500	100	200	160	6 ⁵ / ₁₆	176	253	400	115	4.5	7.9	11	15	530
PB1-80-2-530	88.9	3.500	100	200	170	6 ¹¹ / ₁₆	176	258	530	125	5.0	8.5	12	15	530
PB1-80-2-600	88.9	3.500	110	200	180	7 ¹ / ₁₆	196	268	600	135	7.5	11	15	19	530
PB1-90-2-400	101.6	4.000	100	200	160	6 ⁵ / ₁₆	186	253	400	105	4.6	8.0	11	15	530
PB1-90-2-530	101.6	4.000	110	200	180	7 ¹ / ₁₆	196	258	530	125	5.7	9.6	13	17	530
PB1-90-2-600	101.6	4.000	110	200	190	7 ¹ / ₂	206	268	600	135	7.8	12	16	20	530
PB1-100-3-400	114.3	4.500	100	200	170	6 ¹¹ / ₁₆	206	253	400	110	4.8	8.2	12	15	1010
PB1-100-3-530	114.3	4.500	110	200	190	7 ¹ / ₂	206	264	530	130	7.3	13	18	24	1010
PB1-100-3-600	114.3	4.500	120	200	200	7 ⁷ / ₈	226	274	600	140	10	16	22	28	1010
PB1-125-3-400	141.3	5.563	110	200	180	7 ¹ / ₁₆	226	253	400	105	5.4	9.2	13	17	1010
PB1-125-3-530	141.3	5.563	120	200	200	7 ⁷ / ₈	236	264	530	125	8.2	14	20	26	1010

PB PIPE CLAMP BASE FOR USE AS A SLIDING BASE OR WITH TYPE 487 SPREADER BEAMS



TYPE PB1 IS FOR USE AS A SLIDING BASE OR WITH SPREADER BEAMS. IF IT IS GUIDED AT THE BASE, THE LOAD CAPACITY IN THE HORIZONTAL DIRECTION IS 30% OF THE STATED VERTICAL LOAD CAPACITY.

TYPE PB2 IS FOR USE AS A GUIDE ON HORIZONTAL OR VERTICAL PIPES, OR WHEN USED WITH THE LEGS VERTICAL AS A VERTICAL RESTRAINT ON HORIZONTAL PIPES IN CASES WHERE THE VERTICAL LOAD CAN ACT UPWARDS.

TYPE PB3 IS FOR USE AS A GUIDE ON HORIZONTAL PIPES. THE STATED LOAD CAPACITY IS APPLICABLE TO BOTH VERTICAL AND LATERAL LOADINGS ACTING CONCURRENTLY.

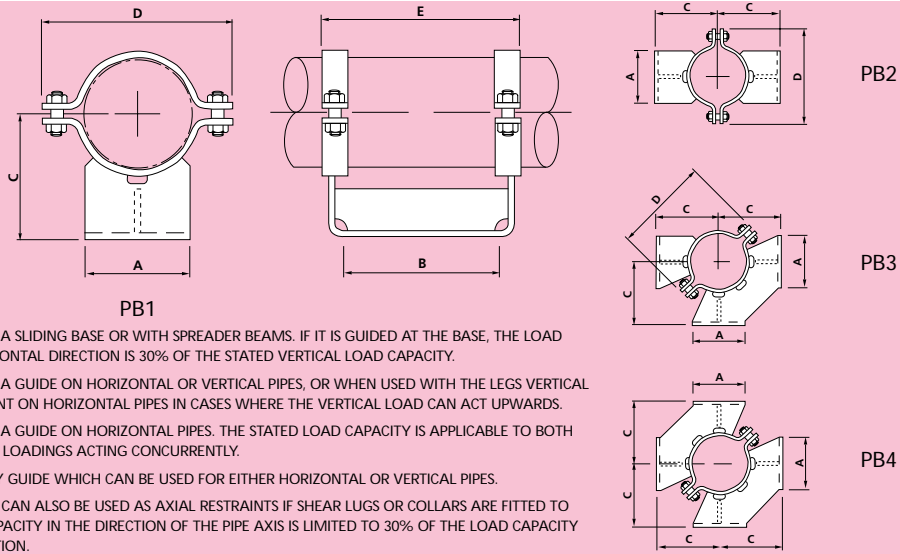
TYPE PB4 IS A TWO WAY GUIDE WHICH CAN BE USED FOR EITHER HORIZONTAL OR VERTICAL PIPES.

ANY OF THE PIPE BASES CAN ALSO BE USED AS AXIAL RESTRAINTS IF SHEAR LUGS OR COLLARS ARE FITTED TO THE PIPE. THE LOAD CAPACITY IN THE DIRECTION OF THE PIPE AXIS IS LIMITED TO 30% OF THE LOAD CAPACITY IN THE VERTICAL DIRECTION.

Material: Carbon Steel to 400°C Alloy Steel above 400°C Base Plate Weldable Carbon Steel

Part No. (Type PB1)	Pipe O/D		A	B	C		D	E	Max. Temp.	Max Lagging Thick.	Weight				Load Capacity (See Notes)
	mm	in			mm	mm					mm	in	mm	mm	
For Multi-Leg types, replace PB1 with PB2, PB3 or PB4															
PB1-125-3-600	141.3	5.563	130	200	210	8 ¹ / ₄	246	274	600	135	11	18	24	31	1010
PB1-150-4-400	168.3	6.625	120	200	200	7 ⁷ / ₈	288	264	400	115	9.4	15	21	27	1580
PB1-150-4-530	168.3	6.625	130	200	210	8 ¹ / ₄	276	274	530	125	12	18	25	31	1580
PB1-150-4-600	168.3	6.625	140	200	230	9 ¹ / ₁₆	276	274	600	145	13	20	27	35	1580
PB1-175-5-400	193.7	7.625	140	250	240	9 ⁷ / ₁₆	318	314	400	140	12	21	29	37	2280
PB1-175-5-530	193.7	7.625	150	250	250	9 ¹³ / ₁₆	306	324	530	150	15	24	33	42	2280
PB1-175-5-600	193.7	7.625	160	250	270	10 ⁵ / ₈	306	340	600	170	20	33	46	58	2280
PB1-200-3-400	219.1	8.625	150	250	250	9 ¹³ / ₁₆	316	308	400	140	9.8	16	23	30	1010
PB1-200-6-400	219.1	8.625	150	250	250	9 ¹³ / ₁₆	380	346	400	140	24	38	52	66	3650
PB1-200-3-530	219.1	8.625	160	250	260	10 ¹ / ₄	336	324	530	150	17	26	36	46	1010
PB1-200-6-530	219.1	8.625	160	250	270	10 ⁵ / ₈	336	356	530	160	27	42	57	73	3650
PB1-200-3-600	219.1	8.625	170	250	280	11	336	324	600	170	18	28	39	50	1010
PB1-200-6-600	219.1	8.625	170	250	280	11	356	375	600	170	38	59	80	102	3650
PB1-225-3-400	244.5	9.625	160	250	260	10 ¹ / ₄	336	308	400	135	11	18	25	32	1010
PB1-225-6-400	244.5	9.625	160	250	270	10 ⁵ / ₈	410	346	400	145	27	42	57	72	3650
PB1-225-3-530	244.5	9.625	170	250	280	11	356	324	530	155	18	29	39	50	1010
PB1-225-6-530	244.5	9.625	170	250	280	11	366	356	530	155	29	45	62	78	3650
PB1-225-3-600	244.5	9.625	170	250	290	11 ⁷ / ₁₆	356	324	600	165	18	29	40	51	1010
PB1-225-6-600	244.5	9.625	180	250	300	11 ¹³ / ₁₆	398	375	600	175	42	65	88	111	3650
PB1-250-4-400	273	10.750	170	250	280	11	398	314	400	140	16	26	37	47	1580
PB1-250-7-400	273	10.750	170	250	280	11	440	346	400	140	29	45	61	77	5340
PB1-250-4-530	273	10.750	170	250	290	11 ⁷ / ₁₆	386	324	530	150	19	29	40	51	1580
PB1-250-7-530	273	10.750	180	250	300	11 ¹³ / ₁₆	396	365	530	160	36	59	82	105	5340
PB1-250-4-600	273	10.750	180	250	300	11 ¹³ / ₁₆	396	344	600	160	25	37	48	60	1580
PB1-250-7-600	273	10.750	190	250	310	12 ³ / ₁₆	428	395	600	170	50	75	99	123	5340
PB1-300-4-400	323.9	12.750	190	300	320	12 ⁵ / ₈	448	364	400	155	20	33	47	60	1580
PB1-300-6-400	323.9	12.750	190	300	320	12 ⁵ / ₈	490	396	400	155	35	56	77	98	3650
PB1-300-8-400	323.9	12.750	190	300	320	12 ⁵ / ₈	542	410	400	155	54	81	107	133	7400
PB1-300-4-530	323.9	12.750	200	300	330	13	446	374	530	165	24	38	53	67	1580
PB1-300-6-530	323.9	12.750	200	300	330	13	468	406	530	165	39	61	83	106	3650
PB1-300-8-530	323.9	12.750	200	300	340	13 ³ / ₈	478	425	530	175	52	81	110	139	7400
PB1-300-4-600	323.9	12.750	220	300	370	14 ⁹ / ₁₆	446	394	600	205	33	50	67	84	1580

PB PIPE CLAMP BASE FOR USE AS A SLIDING BASE OR WITH TYPE 487 SPREADER BEAMS



TYPE PB1 IS FOR USE AS A SLIDING BASE OR WITH SPREADER BEAMS. IF IT IS GUIDED AT THE BASE, THE LOAD CAPACITY IN THE HORIZONTAL DIRECTION IS 30% OF THE STATED VERTICAL LOAD CAPACITY.

TYPE PB2 IS FOR USE AS A GUIDE ON HORIZONTAL OR VERTICAL PIPES, OR WHEN USED WITH THE LEGS VERTICAL AS A VERTICAL RESTRAINT ON HORIZONTAL PIPES IN CASES WHERE THE VERTICAL LOAD CAN ACT UPWARDS.

TYPE PB3 IS FOR USE AS A GUIDE ON HORIZONTAL PIPES. THE STATED LOAD CAPACITY IS APPLICABLE TO BOTH VERTICAL AND LATERAL LOADINGS ACTING CONCURRENTLY.

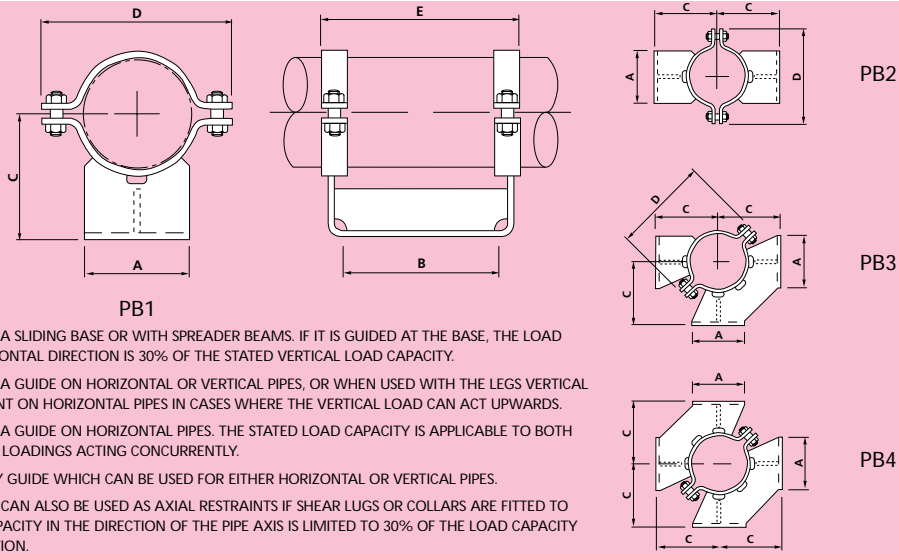
TYPE PB4 IS A TWO WAY GUIDE WHICH CAN BE USED FOR EITHER HORIZONTAL OR VERTICAL PIPES.

ANY OF THE PIPE BASES CAN ALSO BE USED AS AXIAL RESTRAINTS IF SHEAR LUGS OR COLLARS ARE FITTED TO THE PIPE. THE LOAD CAPACITY IN THE DIRECTION OF THE PIPE AXIS IS LIMITED TO 30% OF THE LOAD CAPACITY IN THE VERTICAL DIRECTION.

Material: Carbon Steel to 400°C Alloy Steel above 400°C Base Plate Weldable Carbon Steel

Part No. (Type PB1)	Pipe O/D		A	B	C		D	E	Max. Temp.	Max Lagging Thick.	Weight				Load Capacity (See Notes)	
	mm	in			mm	mm					mm	in	mm	mm		PB1 kgf
For Multi-Leg types, replace PB1 with PB2, PB3 or PB4																
PB1-300-6-600	323.9	12.750	220	300	370	14 ⁹ / ₁₆	478	445	600	205	63	96	129	163	3650	
PB1-300-8-600	323.9	12.750	230	300	380	14 ¹⁵ / ₁₆	498	460	600	215	88	137	185	234	7400	
PB1-350-6-400	355.6	14.000	210	300	340	13 ³ / ₈	520	396	400	160	39	63	86	110	3650	
PB1-350-7-400	355.6	14.000	210	300	340	13 ³ / ₈	520	396	400	160	39	63	86	110	5340	
PB1-350-9-400	355.6	14.000	210	300	340	13 ³ / ₈	572	425	400	160	71	112	153	194	9650	
PB1-350-6-530	355.6	14.000	210	300	350	13 ³ / ₄	498	416	530	170	44	68	92	116	3650	
PB1-350-7-530	355.6	14.000	210	300	350	13 ³ / ₄	498	425	530	170	51	81	112	142	5340	
PB1-350-9-530	355.6	14.000	220	300	360	14 ³ / ₁₆	518	440	530	180	70	115	159	204	9650	
PB1-350-6-600	355.6	14.000	230	300	390	15 ³ / ₈	538	445	600	210	79	114	150	185	3650	
PB1-350-7-600	355.6	14.000	230	300	390	15 ³ / ₈	538	445	600	210	79	114	150	185	5340	
PB1-350-9-600	355.6	14.000	230	300	390	15 ³ / ₈	538	460	600	210	92	141	189	238	9650	
PB1-400-6-400	406.4	16.000	240	300	360	14 ³ / ₁₆	590	391	400	155	47	75	102	129	3650	
PB1-400-8-400	406.4	16.000	240	300	360	14 ³ / ₁₆	622	410	400	155	67	102	136	171	7400	
PB1-400-10-400	406.4	16.000	240	300	370	14 ⁹ / ₁₆	660	465	400	165	110	172	235	297	13350	
PB1-400-6-530	406.4	16.000	240	300	370	14 ⁹ / ₁₆	568	416	530	165	56	84	111	139	3650	
PB1-400-8-530	406.4	16.000	240	300	380	14 ¹⁵ / ₁₆	568	445	530	175	71	107	143	179	7400	
PB1-400-10-530	406.4	16.000	240	300	390	15 ³ / ₈	610	475	530	185	114	178	242	307	13350	
PB1-400-6-600	406.4	16.000	250	300	410	16 ¹ / ₈	588	445	600	205	87	126	165	204	3650	
PB1-400-8-600	406.4	16.000	250	300	420	16 ⁹ / ₁₆	588	460	600	215	103	157	211	265	7400	
PB1-400-10-600	406.4	16.000	250	300	420	16 ⁹ / ₁₆	630	465	600	215	126	196	266	335	13350	
PB1-450-6-400	457.2	18.000	270	300	390	15 ³ / ₈	640	391	400	160	54	85	116	148	3650	
PB1-450-9-400	457.2	18.000	270	300	390	15 ³ / ₈	682	425	400	160	91	146	201	256	9650	
PB1-450-11-400	457.2	18.000	270	300	400	15 ³ / ₄	738	500	400	170	154	243	332	421	18000	
PB1-450-6-530	457.2	18.000	270	300	400	15 ³ / ₄	618	416	530	170	64	95	127	159	3650	
PB1-450-9-530	457.2	18.000	270	300	410	16 ¹ / ₈	618	460	530	180	96	153	210	267	9650	
PB1-450-11-530	457.2	18.000	270	300	420	16 ⁹ / ₁₆	692	480	530	190	154	245	336	428	18000	
PB1-450-6-600	457.2	18.000	270	300	440	17 ⁵ / ₁₆	638	445	600	210	97	140	183	226	3650	
PB1-450-9-600	457.2	18.000	270	300	450	17 ¹¹ / ₁₆	638	460	600	220	113	173	233	293	9650	
PB1-450-11-600	457.2	18.000	280	300	460	18 ¹ / ₈	700	490	600	230	183	283	383	482	18000	
PB1-500-6-400	508	20.000	300	400	440	17 ⁵ / ₁₆	690	491	400	185	67	110	152	195	3650	
PB1-500-9-400	508	20.000	300	400	450	17 ¹¹ / ₁₆	732	525	400	195	115	189	264	339	9650	
PB1-500-12-400	508	20.000	300	400	460	18 ¹ / ₈	788	600	400	205	190	310	429	549	23025	

PB PIPE CLAMP BASE FOR USE AS A SLIDING BASE OR WITH TYPE 487 SPREADER BEAMS



TYPE PB1 IS FOR USE AS A SLIDING BASE OR WITH SPREADER BEAMS. IF IT IS GUIDED AT THE BASE, THE LOAD CAPACITY IN THE HORIZONTAL DIRECTION IS 30% OF THE STATED VERTICAL LOAD CAPACITY.

TYPE PB2 IS FOR USE AS A GUIDE ON HORIZONTAL OR VERTICAL PIPES, OR WHEN USED WITH THE LEGS VERTICAL AS A VERTICAL RESTRAINT ON HORIZONTAL PIPES IN CASES WHERE THE VERTICAL LOAD CAN ACT UPWARDS.

TYPE PB3 IS FOR USE AS A GUIDE ON HORIZONTAL PIPES. THE STATED LOAD CAPACITY IS APPLICABLE TO BOTH VERTICAL AND LATERAL LOADINGS ACTING CONCURRENTLY.

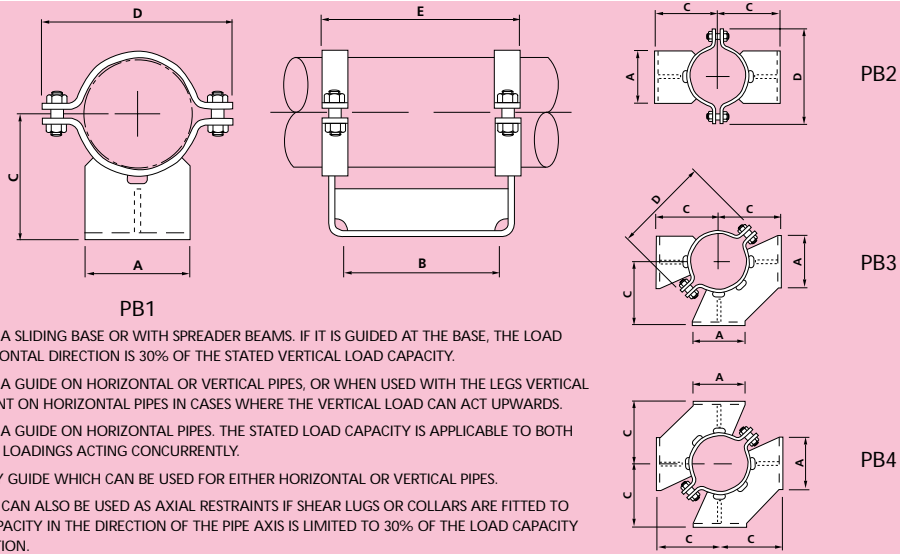
TYPE PB4 IS A TWO WAY GUIDE WHICH CAN BE USED FOR EITHER HORIZONTAL OR VERTICAL PIPES.

ANY OF THE PIPE BASES CAN ALSO BE USED AS AXIAL RESTRAINTS IF SHEAR LUGS OR COLLARS ARE FITTED TO THE PIPE. THE LOAD CAPACITY IN THE DIRECTION OF THE PIPE AXIS IS LIMITED TO 30% OF THE LOAD CAPACITY IN THE VERTICAL DIRECTION.

Material: Carbon Steel to 400°C Alloy Steel above 400°C Base Plate Weldable Carbon Steel

Part No. (Type PB1)	Pipe O/D		A	B	C		D	E	Max. Temp.	Max Lagging Thick.	Weight				Load Capacity (See Notes)	
	mm	in			mm	in					mm	mm	PB1 kgf	PB2 kgf		PB3 kgf
For Multi-Leg types, replace PB1 with PB2, PB3 or PB4																
PB1-500-6-530	508	20.000	300	400	450	17 ¹¹ / ₁₆	668	516	530	195	78	121	164	207	3650	
PB1-500-9-530	508	20.000	300	400	460	18 ¹ / ₈	668	560	530	205	119	195	271	347	9650	
PB1-500-12-530	508	20.000	300	400	480	18 ⁷ / ₈	752	610	530	225	240	410	581	752	23025	
PB1-500-6-600	508	20.000	300	400	490	19 ⁵ / ₁₆	698	545	600	235	117	174	232	289	3650	
PB1-500-9-600	508	20.000	300	400	500	19 ¹¹ / ₁₆	698	570	600	245	144	224	304	383	9650	
PB1-500-12-600	508	20.000	310	400	520	20 ¹ / ₂	772	630	600	265	286	470	654	838	23025	
PB1-550-6-400	558.8	22.000	330	400	460	18 ¹ / ₈	740	491	400	180	74	121	168	216	3650	
PB1-550-8-400	558.8	22.000	330	400	470	18 ¹ / ₂	782	510	400	190	104	164	225	286	7400	
PB1-550-10-400	558.8	22.000	330	400	480	18 ⁷ / ₈	810	565	400	200	169	277	385	493	13350	
PB1-550-13-400	558.8	22.000	330	400	490	19 ⁵ / ₁₆	896	650	400	210	304	491	679	866	28125	
PB1-550-6-530	558.8	22.000	330	400	480	18 ⁷ / ₈	718	516	530	200	86	135	183	232	3650	
PB1-550-8-530	558.8	22.000	330	400	480	18 ⁷ / ₈	760	545	530	200	126	187	249	311	7400	
PB1-550-10-530	558.8	22.000	330	400	490	19 ⁵ / ₁₆	760	575	530	210	174	283	392	501	13350	
PB1-550-13-530	558.8	22.000	330	400	500	19 ¹¹ / ₁₆	830	650	530	220	299	489	678	868	28125	
PB1-550-6-600	558.8	22.000	330	400	520	20 ¹ / ₂	748	545	600	240	129	193	258	322	3650	
PB1-550-8-600	558.8	22.000	330	400	520	20 ¹ / ₂	768	550	600	240	161	249	337	425	7400	
PB1-550-10-600	558.8	22.000	330	400	530	20 ⁷ / ₈	780	575	600	250	195	310	424	538	13350	
PB1-550-13-600	558.8	22.000	330	400	550	21 ⁵ / ₈	890	670	600	270	427	686	945	1204	28125	
PB1-600-6-400	609.6	24.000	360	400	490	19 ⁵ / ₁₆	800	491	400	185	81	134	187	240	3650	
PB1-600-8-400	609.6	24.000	360	400	490	19 ⁵ / ₁₆	842	510	400	185	113	180	247	314	7400	
PB1-600-10-400	609.6	24.000	360	400	500	19 ¹¹ / ₁₆	870	565	400	195	184	303	422	541	13350	
PB1-600-13-400	609.6	24.000	360	400	520	20 ¹ / ₂	946	650	400	215	333	541	749	958	28125	
PB1-600-6-530	609.6	24.000	360	400	500	19 ¹¹ / ₁₆	778	516	530	195	94	148	201	255	3650	
PB1-600-8-530	609.6	24.000	360	400	500	19 ¹¹ / ₁₆	820	545	530	195	138	206	273	341	7400	
PB1-600-10-530	609.6	24.000	360	400	510	20 ¹ / ₁₆	820	575	530	205	190	310	430	551	13350	
PB1-600-13-530	609.6	24.000	360	400	530	20 ⁷ / ₈	910	630	530	225	332	542	752	962	28125	
PB1-600-6-600	609.6	24.000	360	400	540	21 ¹ / ₄	798	545	600	235	140	211	282	353	3650	
PB1-600-8-600	609.6	24.000	360	400	550	21 ⁵ / ₈	818	550	600	245	176	274	372	470	7400	
PB1-600-10-600	609.6	24.000	360	400	550	21 ⁵ / ₈	840	585	600	245	223	348	474	599	13350	
PB1-600-13-600	609.6	24.000	360	400	580	22 ¹³ / ₁₆	950	670	600	275	469	756	1043	1330	28125	
PB1-650-6-400	660.4	26.000	390	400	540	21 ¹ / ₄	870	501	400	205	109	168	228	288	3650	
PB1-650-8-400	660.4	26.000	390	400	540	21 ¹ / ₄	892	510	400	205	125	201	277	353	7400	

PB PIPE CLAMP BASE FOR USE AS A SLIDING BASE OR WITH TYPE 487 SPREADER BEAMS



TYPE PB1 IS FOR USE AS A SLIDING BASE OR WITH SPREADER BEAMS. IF IT IS GUIDED AT THE BASE, THE LOAD CAPACITY IN THE HORIZONTAL DIRECTION IS 30% OF THE STATED VERTICAL LOAD CAPACITY.

TYPE PB2 IS FOR USE AS A GUIDE ON HORIZONTAL OR VERTICAL PIPES, OR WHEN USED WITH THE LEGS VERTICAL AS A VERTICAL RESTRAINT ON HORIZONTAL PIPES IN CASES WHERE THE VERTICAL LOAD CAN ACT UPWARDS.

TYPE PB3 IS FOR USE AS A GUIDE ON HORIZONTAL PIPES. THE STATED LOAD CAPACITY IS APPLICABLE TO BOTH VERTICAL AND LATERAL LOADINGS ACTING CONCURRENTLY.

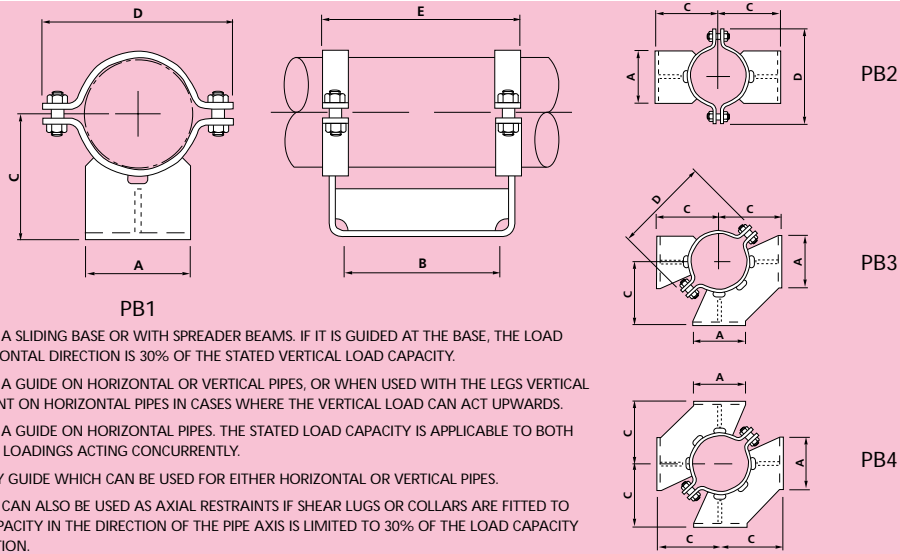
TYPE PB4 IS A TWO WAY GUIDE WHICH CAN BE USED FOR EITHER HORIZONTAL OR VERTICAL PIPES.

ANY OF THE PIPE BASES CAN ALSO BE USED AS AXIAL RESTRAINTS IF SHEAR LUGS OR COLLARS ARE FITTED TO THE PIPE. THE LOAD CAPACITY IN THE DIRECTION OF THE PIPE AXIS IS LIMITED TO 30% OF THE LOAD CAPACITY IN THE VERTICAL DIRECTION.

Material: Carbon Steel to 400°C Alloy Steel above 400°C Base Plate Weldable Carbon Steel

Part No. (Type PB1)	Pipe O/D		A	B	C		D	E	Max. Temp.	Max Lagging Thick.	Weight				Load Capacity (See Notes)
	mm	in			mm	in					mm	kgf	PB2 kgf	PB3 kgf	
For Multi-Leg types, replace PB1 with PB2, PB3 or PB4															
PB1-650-10-400	660.4	26.000	390	400	550	21 ⁵ / ₈	920	565	400	215	205	339	473	608	13350
PB1-650-13-400	660.4	26.000	390	400	570	22 ⁷ / ₁₆	996	670	400	235	387	622	857	1092	28125
PB1-650-6-530	660.4	26.000	390	400	580	22 ¹³ / ₁₆	828	516	530	245	107	170	233	295	3650
PB1-650-8-530	660.4	26.000	390	400	580	22 ¹³ / ₁₆	848	545	530	245	153	233	312	392	7400
PB1-650-10-530	660.4	26.000	390	400	590	23 ¹ / ₄	870	575	530	255	215	356	496	637	13350
PB1-650-13-530	660.4	26.000	390	400	600	23 ⁵ / ₈	960	630	530	265	372	613	855	1096	28125
PB1-650-6-600	660.4	26.000	390	400	620	24 ⁷ / ₁₆	848	545	600	285	157	240	324	407	3650
PB1-650-8-600	660.4	26.000	390	400	620	24 ⁷ / ₁₆	868	550	600	285	197	310	423	537	7400
PB1-650-10-600	660.4	26.000	390	400	630	24 ¹³ / ₁₆	890	595	600	295	260	406	552	699	13350
PB1-650-13-600	660.4	26.000	390	400	650	25 ⁹ / ₁₆	1000	670	600	315	522	851	1179	1508	28125
PB1-700-6-400	711.2	28.000	420	500	560	22 ¹ / ₁₆	920	601	400	200	125	198	271	344	3650
PB1-700-8-400	711.2	28.000	420	500	570	22 ⁷ / ₁₆	942	610	400	210	146	239	333	426	7400
PB1-700-10-400	711.2	28.000	420	500	580	22 ¹³ / ₁₆	970	665	400	220	239	403	567	731	13350
PB1-700-13-400	711.2	28.000	420	500	590	23 ¹ / ₄	1046	770	400	230	443	724	1006	1287	28125
PB1-700-6-530	711.2	28.000	420	500	600	23 ⁵ / ₈	878	616	530	240	123	199	276	352	3650
PB1-700-8-530	711.2	28.000	420	500	610	24	920	645	530	250	177	274	372	469	7400
PB1-700-10-530	711.2	28.000	420	500	620	24 ⁷ / ₁₆	920	675	530	260	250	421	592	763	13350
PB1-700-13-530	711.2	28.000	420	500	630	24 ¹³ / ₁₆	1010	730	530	270	429	720	1012	1303	28125
PB1-700-6-600	711.2	28.000	420	500	640	25 ³ / ₁₆	898	645	600	280	179	279	380	480	3650
PB1-700-8-600	711.2	28.000	420	500	650	25 ⁹ / ₁₆	918	650	600	290	227	364	502	639	7400
PB1-700-10-600	711.2	28.000	420	500	650	25 ⁹ / ₁₆	960	675	600	290	297	472	647	821	13350
PB1-700-13-600	711.2	28.000	420	500	680	26 ³ / ₄	1050	770	600	320	598	990	1383	1776	28125
PB1-750-6-400	762	30.000	450	500	590	23 ¹ / ₄	970	601	400	205	135	214	294	373	3650
PB1-750-8-400	762	30.000	450	500	590	23 ¹ / ₄	992	610	400	205	157	258	358	459	7400
PB1-750-10-400	762	30.000	450	500	600	23 ⁵ / ₈	1020	665	400	215	256	433	610	787	13350
PB1-750-13-400	762	30.000	450	500	620	24 ⁷ / ₁₆	1096	770	400	235	477	783	1090	1396	28125
PB1-750-6-530	762	30.000	450	500	630	24 ¹³ / ₁₆	928	616	530	245	133	216	299	382	3650
PB1-750-8-530	762	30.000	450	500	630	24 ¹³ / ₁₆	970	645	530	245	190	295	400	505	7400
PB1-750-10-530	762	30.000	450	500	640	25 ³ / ₁₆	970	675	530	255	269	453	637	821	13350
PB1-750-13-530	762	30.000	450	500	660	26	1060	730	530	275	463	780	1096	1413	28125
PB1-750-6-600	762	30.000	450	500	670	26 ³ / ₈	948	645	600	285	193	302	411	521	3650
PB1-750-8-600	762	30.000	450	500	670	26 ³ / ₈	978	650	600	285	244	392	540	689	7400

PB PIPE CLAMP BASE FOR USE AS A SLIDING BASE OR WITH TYPE 487 SPREADER BEAMS



TYPE PB1 IS FOR USE AS A SLIDING BASE OR WITH SPREADER BEAMS. IF IT IS GUIDED AT THE BASE, THE LOAD CAPACITY IN THE HORIZONTAL DIRECTION IS 30% OF THE STATED VERTICAL LOAD CAPACITY.

TYPE PB2 IS FOR USE AS A GUIDE ON HORIZONTAL OR VERTICAL PIPES, OR WHEN USED WITH THE LEGS VERTICAL AS A VERTICAL RESTRAINT ON HORIZONTAL PIPES IN CASES WHERE THE VERTICAL LOAD CAN ACT UPWARDS.

TYPE PB3 IS FOR USE AS A GUIDE ON HORIZONTAL PIPES. THE STATED LOAD CAPACITY IS APPLICABLE TO BOTH VERTICAL AND LATERAL LOADINGS ACTING CONCURRENTLY.

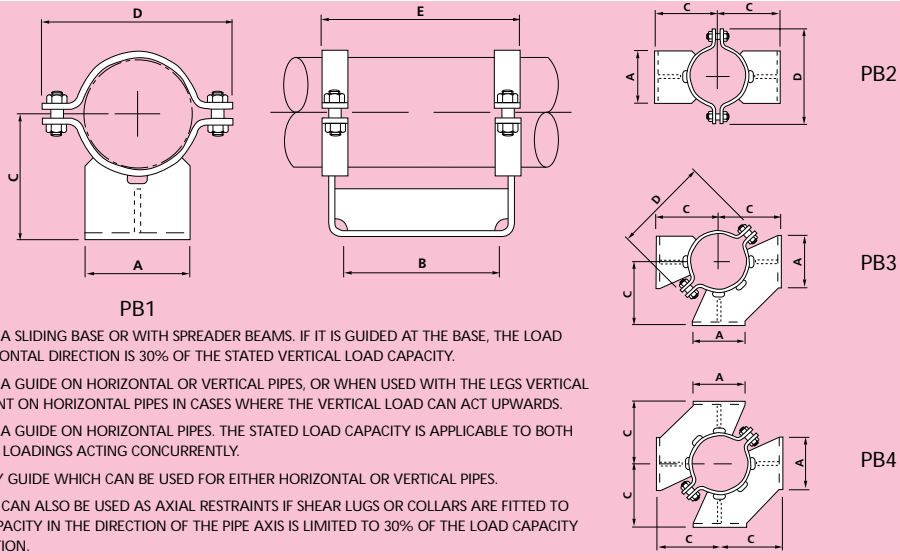
TYPE PB4 IS A TWO WAY GUIDE WHICH CAN BE USED FOR EITHER HORIZONTAL OR VERTICAL PIPES.

ANY OF THE PIPE BASES CAN ALSO BE USED AS AXIAL RESTRAINTS IF SHEAR LUGS OR COLLARS ARE FITTED TO THE PIPE. THE LOAD CAPACITY IN THE DIRECTION OF THE PIPE AXIS IS LIMITED TO 30% OF THE LOAD CAPACITY IN THE VERTICAL DIRECTION.

Material: Carbon Steel to 400°C Alloy Steel above 400°C Base Plate Weldable Carbon Steel

Part No. (Type PB1)	Pipe O/D		A	B	C		D	E	Max. Temp.	Max Lagging Thick.	Weight				Load Capacity (See Notes)	
	mm	in			mm	in					mm	mm	PB1 kgf	PB2 kgf		PB3 kgf
For Multi-Leg types, replace PB1 with PB2, PB3 or PB4																
PB1-750-10-600	762	30.000	450	500	680	26 ³ / ₄	1010	675	600	295	320	510	701	891	13350	
PB1-750-13-600	762	30.000	450	500	700	27 ⁹ / ₁₆	1100	770	600	315	640	1063	1486	1910	28125	
PB1-800-6-400	812.8	32.000	480	500	610	24	1020	601	400	200	144	229	315	400	3650	
PB1-800-8-400	812.8	32.000	480	500	620	24 ⁷ / ₁₆	1042	610	400	210	169	278	387	497	7400	
PB1-800-10-400	812.8	32.000	480	500	630	24 ¹³ / ₁₆	1070	685	400	220	294	486	678	870	13350	
PB1-800-13-400	812.8	32.000	480	500	640	25 ³ / ₁₆	1176	770	400	230	548	876	1203	1531	28125	
PB1-800-6-530	812.8	32.000	480	500	650	25 ⁹ / ₁₆	978	616	530	240	142	231	321	410	3650	
PB1-800-8-530	812.8	32.000	480	500	660	26	1020	645	530	250	204	318	432	545	7400	
PB1-800-10-530	812.8	32.000	480	500	670	26 ³ / ₈	1042	685	530	260	300	499	699	899	13350	
PB1-800-13-530	812.8	32.000	480	500	680	26 ³ / ₄	1110	730	530	270	494	834	1174	1514	28125	
PB1-800-6-600	812.8	32.000	480	500	690	27 ³ / ₁₆	1008	645	600	280	207	324	441	559	3650	
PB1-800-8-600	812.8	32.000	480	500	700	27 ⁹ / ₁₆	1050	660	600	290	275	435	596	757	7400	
PB1-800-10-600	812.8	32.000	480	500	700	27 ⁹ / ₁₆	1070	675	600	290	342	546	751	955	13350	
PB1-800-13-600	812.8	32.000	480	500	730	28 ³ / ₄	1160	770	600	320	688	1146	1604	2061	28125	
PB1-850-6-400	863.6	34.000	510	500	640	25 ³ / ₁₆	1070	601	400	205	154	247	339	432	3650	
PB1-850-8-400	863.6	34.000	510	500	640	25 ³ / ₁₆	1092	610	400	205	180	297	414	531	7400	
PB1-850-10-400	863.6	34.000	510	500	650	25 ⁹ / ₁₆	1120	685	400	215	313	519	724	930	13350	
PB1-850-13-400	863.6	34.000	510	500	670	26 ³ / ₈	1226	770	400	235	585	939	1293	1647	28125	
PB1-850-6-530	863.6	34.000	510	500	680	26 ³ / ₄	1028	616	530	245	152	249	345	442	3650	
PB1-850-8-530	863.6	34.000	510	500	680	26 ³ / ₄	1070	645	530	245	217	339	460	582	7400	
PB1-850-10-530	863.6	34.000	510	500	690	27 ³ / ₁₆	1092	685	530	255	319	533	746	960	13350	
PB1-850-13-530	863.6	34.000	510	500	710	27 ¹⁵ / ₁₆	1170	740	530	275	545	912	1279	1646	28125	
PB1-850-6-600	863.6	34.000	510	500	720	28 ³ / ₈	1058	645	600	285	221	348	474	601	3650	
PB1-850-8-600	863.6	34.000	510	500	720	28 ³ / ₈	1100	660	600	285	292	464	636	808	7400	
PB1-850-10-600	863.6	34.000	510	500	730	28 ³ / ₄	1120	675	600	295	366	586	807	1028	13350	
PB1-850-13-600	863.6	34.000	510	500	750	29 ¹ / ₂	1210	770	600	315	731	1221	1710	2200	28125	
PB1-900-6-400	914.4	36.000	540	600	670	26 ³ / ₈	1130	701	400	210	175	285	395	505	3650	
PB1-900-8-400	914.4	36.000	540	600	670	26 ³ / ₈	1142	710	400	210	205	343	482	621	7400	
PB1-900-10-400	914.4	36.000	540	600	680	26 ³ / ₄	1180	785	400	220	356	599	841	1084	13350	
PB1-900-13-400	914.4	36.000	540	600	690	27 ³ / ₁₆	1276	870	400	230	653	1064	1475	1886	28125	
PB1-900-6-530	914.4	36.000	540	600	700	27 ⁹ / ₁₆	1088	736	530	240	187	300	413	526	3650	
PB1-900-8-530	914.4	36.000	540	600	710	27 ¹⁵ / ₁₆	1130	745	530	250	244	388	532	676	7400	

PB PIPE CLAMP BASE FOR USE AS A SLIDING BASE OR WITH TYPE 487 SPREADER BEAMS



TYPE PB1 IS FOR USE AS A SLIDING BASE OR WITH SPREADER BEAMS. IF IT IS GUIDED AT THE BASE, THE LOAD CAPACITY IN THE HORIZONTAL DIRECTION IS 30% OF THE STATED VERTICAL LOAD CAPACITY.

TYPE PB2 IS FOR USE AS A GUIDE ON HORIZONTAL OR VERTICAL PIPES, OR WHEN USED WITH THE LEGS VERTICAL AS A VERTICAL RESTRAINT ON HORIZONTAL PIPES IN CASES WHERE THE VERTICAL LOAD CAN ACT UPWARDS.

TYPE PB3 IS FOR USE AS A GUIDE ON HORIZONTAL PIPES. THE STATED LOAD CAPACITY IS APPLICABLE TO BOTH VERTICAL AND LATERAL LOADINGS ACTING CONCURRENTLY.

TYPE PB4 IS A TWO WAY GUIDE WHICH CAN BE USED FOR EITHER HORIZONTAL OR VERTICAL PIPES.

ANY OF THE PIPE BASES CAN ALSO BE USED AS AXIAL RESTRAINTS IF SHEAR LUGS OR COLLARS ARE FITTED TO THE PIPE. THE LOAD CAPACITY IN THE DIRECTION OF THE PIPE AXIS IS LIMITED TO 30% OF THE LOAD CAPACITY IN THE VERTICAL DIRECTION.

Material: Carbon Steel to 400°C Alloy Steel above 400°C Base Plate Weldable Carbon Steel

Part No. (Type PB1)	Pipe O/D		A	B	C		D	E	Max. Temp.	Max Lagging Thick.	Weight				Load Capacity (See Notes)		
	mm	in			mm	mm					mm	in	mm	mm		C	mm
For Multi-Leg types, replace PB1 with PB2, PB3 or PB4																	
PB1-900-10-530	914.4	36.000	540	600	720	28 ³ / ₈	1172	765	530	260	366	616	866	1117	13350		
PB1-900-13-530	914.4	36.000	540	600	730	28 ³ / ₄	1220	850	530	270	628	1052	1477	1902	28125		
PB1-900-6-600	914.4	36.000	540	600	740	29 ¹ / ₈	1108	745	600	280	247	395	543	690	3650		
PB1-900-8-600	914.4	36.000	540	600	750	29 ¹ / ₂	1150	760	600	290	328	530	732	934	7400		
PB1-900-10-600	914.4	36.000	540	600	750	29 ¹ / ₂	1170	775	600	290	409	665	921	1178	13350		
PB1-900-13-600	914.4	36.000	540	600	780	30 ¹¹ / ₁₆	1260	870	600	320	821	1389	1957	2525	28125		
PB1-950-6-400	965.2	38.000	570	600	690	27 ³ / ₁₆	1180	701	400	205	185	302	419	535	3650		
PB1-950-8-400	965.2	38.000	570	600	690	27 ³ / ₁₆	1202	735	400	205	244	391	539	686	7400		
PB1-950-10-400	965.2	38.000	570	600	700	27 ⁹ / ₁₆	1230	785	400	215	377	634	892	1149	13350		
PB1-950-13-400	965.2	38.000	570	600	720	28 ³ / ₈	1336	870	400	235	694	1135	1575	2015	28125		
PB1-950-6-530	965.2	38.000	570	600	730	28 ³ / ₄	1138	736	530	245	199	320	441	563	3650		
PB1-950-8-530	965.2	38.000	570	600	730	28 ³ / ₄	1180	745	530	245	258	411	564	717	7400		
PB1-950-10-530	965.2	38.000	570	600	740	29 ¹ / ₈	1222	765	530	255	387	653	919	1185	13350		
PB1-950-13-530	965.2	38.000	570	600	760	29 ¹⁵ / ₁₆	1270	850	530	275	667	1121	1576	2030	28125		
PB1-950-6-600	965.2	38.000	570	600	770	30 ⁵ / ₁₆	1158	745	600	285	263	421	579	737	3650		
PB1-950-8-600	965.2	38.000	570	600	780	30 ¹¹ / ₁₆	1200	760	600	295	349	565	781	997	7400		
PB1-950-10-600	965.2	38.000	570	600	780	30 ¹¹ / ₁₆	1220	775	600	295	434	709	983	1257	13350		
PB1-950-13-600	965.2	38.000	570	600	810	31 ⁷ / ₈	1320	880	600	325	896	1503	2110	2717	28125		
PB1-1000-6-400	1016	40.000	600	600	720	28 ³ / ₈	1230	701	400	210	197	321	446	571	3650		
PB1-1000-8-400	1016	40.000	600	600	720	28 ³ / ₈	1252	735	400	210	258	416	574	732	7400		
PB1-1000-10-400	1016	40.000	600	600	730	28 ³ / ₄	1280	785	400	220	400	675	950	1225	13350		
PB1-1000-13-400	1016	40.000	600	600	740	29 ¹ / ₈	1386	870	400	230	731	1198	1664	2130	28125		
PB1-1000-6-530	1016	40.000	600	600	750	29 ¹ / ₂	1188	736	530	240	210	338	467	595	3650		
PB1-1000-8-530	1016	40.000	600	600	760	29 ¹⁵ / ₁₆	1230	745	530	250	274	437	600	764	7400		
PB1-1000-10-530	1016	40.000	600	600	770	30 ⁵ / ₁₆	1272	765	530	260	410	694	978	1263	13350		
PB1-1000-13-530	1016	40.000	600	600	780	30 ¹¹ / ₁₆	1320	850	530	270	703	1184	1665	2147	28125		
PB1-1000-6-600	1016	40.000	600	600	800	31 ¹ / ₂	1208	755	600	290	289	458	627	796	3650		
PB1-1000-8-600	1016	40.000	600	600	800	31 ¹ / ₂	1250	770	600	290	381	610	839	1068	7400		
PB1-1000-10-600	1016	40.000	600	600	810	31 ⁷ / ₈	1270	775	600	300	460	753	1046	1339	13350		
PB1-1000-13-600	1016	40.000	600	600	830	32 ¹¹ / ₁₆	1370	890	600	320	967	1610	2252	2895	28125		