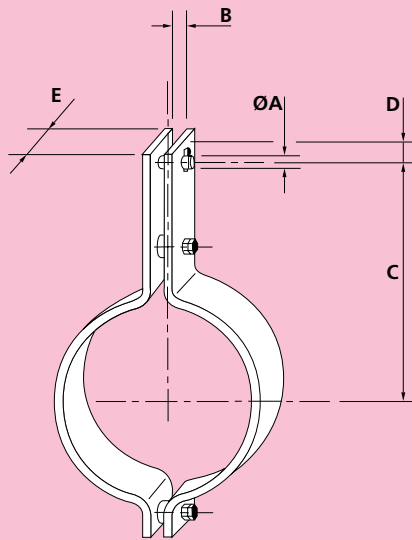


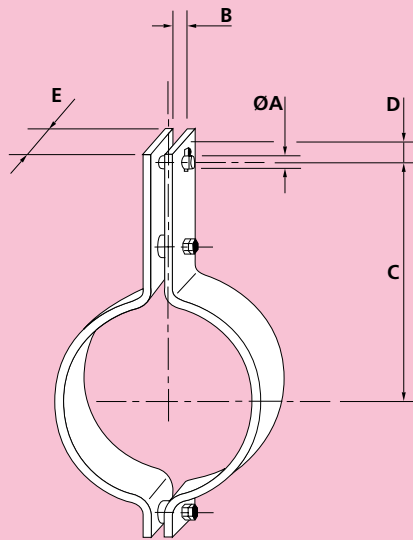
PC3 PIPE CLAMP THREE BOLT TYPE



Material: Carbon Steel to 400°C Alloy Steel above 400°C

Part Number	Pipe O/D		A	B	C		D	E	Weight	Load Capacity (kgf) at Temperature C							Compatible with Rod Sizes
	mm	in			mm	in				mm	in	350	400	490	530	560	
PC3-15-0-400	21.3	0.839	12	15	100	3 ¹⁵ / ₁₆	18	35	0.6	390	390						M8-M16
PC3-15-0-490	21.3	0.839	12	15	110	4 ⁵ / ₁₆	18	40	0.8	390	390	390	390	390	390	340	M8-M16
PC3-15-0-530	21.3	0.839	12	15	110	4 ⁵ / ₁₆	18	40	0.8	390	390	390	390	390	390	340	M8-M16
PC3-15-0-560	21.3	0.839	12	15	110	4 ⁵ / ₁₆	18	40	0.8	390	390	390	390	390	390	390	M8-M16
PC3-15-0-600	21.3	0.839	12	15	110	4 ⁵ / ₁₆	18	40	0.8	390	390	390	390	390	390	390	M8-M16
PC3-20-0-400	26.7	1.051	12	15	100	3 ¹⁵ / ₁₆	18	35	0.6	390	390						M8-M16
PC3-20-0-490	26.7	1.051	12	15	110	4 ⁵ / ₁₆	18	40	0.8	390	390	390	390	390	390	340	M8-M16
PC3-20-0-530	26.7	1.051	12	15	110	4 ⁵ / ₁₆	18	40	0.8	390	390	390	390	390	390	340	M8-M16
PC3-20-0-560	26.7	1.051	12	15	110	4 ⁵ / ₁₆	18	40	0.8	390	390	390	390	390	390	390	M8-M16
PC3-20-0-600	26.7	1.051	12	15	110	4 ⁵ / ₁₆	18	40	0.8	390	390	390	390	390	390	390	M8-M16
PC3-25-0-400	33.4	1.315	12	15	100	3 ¹⁵ / ₁₆	18	35	0.6	390	390						M8-M16
PC3-25-0-490	33.4	1.315	12	15	120	4 ³ / ₄	18	40	0.9	390	390	390	390	390	380	300	M8-M16
PC3-25-0-530	33.4	1.315	12	15	120	4 ³ / ₄	18	40	0.9	390	390	390	390	390	380	300	M8-M16
PC3-25-0-560	33.4	1.315	12	15	120	4 ³ / ₄	18	40	0.9	390	390	390	390	390	390	390	M8-M16
PC3-25-0-600	33.4	1.315	12	15	120	4 ³ / ₄	18	40	0.9	390	390	390	390	390	390	390	M8-M16
PC3-32-0-400	42.2	1.661	12	15	110	4 ⁵ / ₁₆	18	35	0.6	390	390						M8-M16
PC3-32-0-490	42.2	1.661	12	15	120	4 ³ / ₄	18	40	0.9	390	390	390	390	390	300	240	M8-M16
PC3-32-0-530	42.2	1.661	12	15	120	4 ³ / ₄	18	40	0.9	390	390	390	390	390	300	240	M8-M16
PC3-32-0-560	42.2	1.661	12	15	120	4 ³ / ₄	18	40	0.9	390	390	390	390	390	390	320	M8-M16
PC3-32-0-600	42.2	1.661	12	15	120	4 ³ / ₄	18	40	0.9	390	390	390	390	390	390	320	M8-M16
PC3-40-0-400	48.3	1.902	12	15	110	4 ⁵ / ₁₆	18	35	0.7	390	390						M8-M16
PC3-40-0-490	48.3	1.902	12	15	120	4 ³ / ₄	18	40	0.9	390	390	390	390	350	250	210	M8-M16
PC3-40-0-530	48.3	1.902	12	15	120	4 ³ / ₄	18	40	0.9	390	390	390	390	350	250	210	M8-M16
PC3-40-0-560	48.3	1.902	12	15	120	4 ³ / ₄	18	40	0.9	390	390	390	390	390	360	270	M8-M16
PC3-40-0-600	48.3	1.902	12	15	120	4 ³ / ₄	18	40	0.9	390	390	390	390	390	360	270	M8-M16
PC3-50-0-400	60.3	2.375	12	15	120	4 ³ / ₄	18	35	0.7	390	390						M8-M16
PC3-50-1-400	60.3	2.375	16	17	120	4 ³ / ₄	24	40	1.0	800	740						M8-M16
PC3-50-2-400	60.3	2.375	16	17	120	4 ³ / ₄	24	40	1.0	800	740						M8-M16
PC3-50-0-490	60.3	2.375	12	15	130	5 ¹ / ₈	18	40	1.0	390	390	390	390	300	220	170	M8-M16
PC3-50-1-490	60.3	2.375	16	17	130	5 ¹ / ₈	24	40	1.0	800	800	730	510	310	220	180	M8-M16
PC3-50-2-490	60.3	2.375	16	17	130	5 ¹ / ₈	24	40	1.0	800	800	730	510	310	220	180	M8-M16
PC3-50-0-530	60.3	2.375	12	15	130	5 ¹ / ₈	18	40	1.0	390	390	390	390	300	220	170	M8-M16
PC3-50-1-530	60.3	2.375	16	17	130	5 ¹ / ₈	24	40	1.0	800	800	730	510	310	220	180	M8-M16
PC3-50-2-530	60.3	2.375	16	17	130	5 ¹ / ₈	24	50	2.1	800	800	800	800	800	800	640	M8-M16
PC3-50-0-560	60.3	2.375	12	15	130	5 ¹ / ₈	18	40	1.0	390	390	390	390	380	300	230	M8-M16
PC3-50-1-560	60.3	2.375	16	17	130	5 ¹ / ₈	24	40	1.0	800	800	740	550	390	310	240	M8-M16
PC3-50-2-560	60.3	2.375	16	17	130	5 ¹ / ₈	24	50	2.1	800	800	800	800	800	800	800	M8-M16
PC3-50-0-600	60.3	2.375	12	15	130	5 ¹ / ₈	18	40	1.0	390	390	390	390	380	300	230	M8-M16
PC3-50-1-600	60.3	2.375	16	17	130	5 ¹ / ₈	24	50	2.1	800	800	800	800	800	800	800	M8-M16
PC3-50-2-600	60.3	2.375	16	17	130	5 ¹ / ₈	24	50	2.1	800	800	800	800	800	800	800	M8-M16

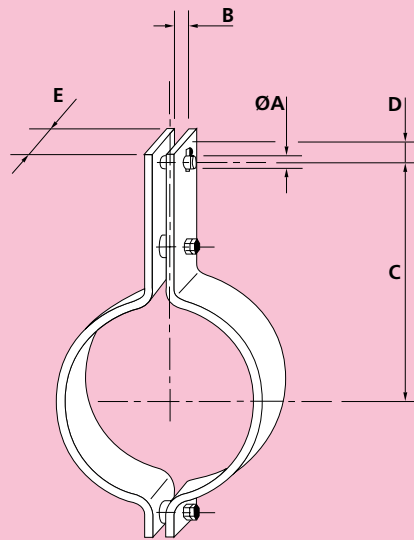
PC3 PIPE CLAMP THREE BOLT TYPE



Material: Carbon Steel to 400°C Alloy Steel above 400°C

Part Number	Pipe O/D		A	B	C		D	E	Weight	Load Capacity (kgf) at Temperature C							Compatible with Rod Sizes
	mm	in			mm	in				mm	in	350	400	490	530	560	
PC3-65-0-400	73.0	2.875	12	15	130	5 1/8	18	35	0.8	370	340						M8-M16
PC3-65-1-400	73.0	2.875	16	17	130	5 1/8	24	40	1.1	650	590						M8-M16
PC3-65-2-400	73.0	2.875	16	17	130	5 1/8	24	40	1.1	650	590						M8-M16
PC3-65-0-490	73.0	2.875	12	15	140	5 1/2	18	40	1.1	390	390	390	390	270	190	150	M8-M16
PC3-65-1-490	73.0	2.875	16	17	140	5 1/2	24	40	1.2	670	670	590	440	270	200	150	M8-M16
PC3-65-2-490	73.0	2.875	16	17	140	5 1/2	24	40	1.2	670	670	590	440	270	200	150	M8-M16
PC3-65-0-530	73.0	2.875	12	15	140	5 1/2	18	40	1.1	390	390	390	390	270	190	150	M8-M16
PC3-65-1-530	73.0	2.875	16	17	140	5 1/2	24	40	1.2	670	670	590	440	270	200	150	M8-M16
PC3-65-2-530	73.0	2.875	16	17	140	5 1/2	24	50	2.3	800	800	800	800	800	740	550	M8-M16
PC3-65-0-560	73.0	2.875	12	15	150	5 7/8	18	40	1.1	390	390	390	390	330	260	200	M8-M16
PC3-65-1-560	73.0	2.875	16	17	150	5 7/8	24	50	2.4	800	800	800	800	800	800	760	M8-M16
PC3-65-2-560	73.0	2.875	16	17	150	5 7/8	24	50	2.4	800	800	800	800	800	800	760	M8-M16
PC3-65-0-600	73.0	2.875	12	15	150	5 7/8	18	50	2.3	390	390	390	390	390	390	390	M8-M16
PC3-65-1-600	73.0	2.875	16	17	150	5 7/8	24	50	2.4	800	800	800	800	800	800	760	M8-M16
PC3-65-2-600	73.0	2.875	16	17	150	5 7/8	24	50	2.4	800	800	800	800	800	800	760	M8-M16
PC3-80-0-400	88.9	3.5	12	15	150	5 7/8	18	35	0.9	340	310						M8-M16
PC3-80-1-400	88.9	3.5	16	17	150	5 7/8	24	40	1.2	600	540						M8-M16
PC3-80-2-400	88.9	3.5	16	17	150	5 7/8	24	40	1.2	600	540						M8-M16
PC3-80-0-490	88.9	3.5	12	15	150	5 7/8	18	40	1.2	390	390	390	380	230	160	130	M8-M16
PC3-80-1-490	88.9	3.5	16	17	150	5 7/8	24	40	1.2	620	620	540	380	230	170	130	M8-M16
PC3-80-2-490	88.9	3.5	16	17	150	5 7/8	24	40	1.2	620	620	540	380	230	170	130	M8-M16
PC3-80-0-530	88.9	3.5	12	15	150	5 7/8	18	40	1.2	390	390	390	380	230	160	130	M8-M16
PC3-80-1-530	88.9	3.5	16	17	150	5 7/8	24	40	1.2	620	620	540	380	230	170	130	M8-M16
PC3-80-2-530	88.9	3.5	16	17	150	5 7/8	24	50	2.5	800	800	800	800	800	570	440	M8-M16
PC3-80-0-560	88.9	3.5	12	15	160	6 5/16	18	40	1.2	390	390	390	390	290	230	170	M8-M16
PC3-80-1-560	88.9	3.5	16	17	160	6 5/16	24	50	2.6	800	800	800	800	800	770	600	M8-M16
PC3-80-2-560	88.9	3.5	16	17	160	6 5/16	24	50	2.6	800	800	800	800	800	770	600	M8-M16
PC3-80-0-600	88.9	3.5	12	15	160	6 5/16	18	50	2.5	390	390	390	390	390	390	390	M8-M16
PC3-80-1-600	88.9	3.5	16	17	160	6 5/16	24	50	2.6	800	800	800	800	800	770	600	M8-M16
PC3-80-2-600	88.9	3.5	16	17	160	6 5/16	24	50	2.6	800	800	800	800	800	770	600	M8-M16
PC3-90-0-400	101.6	4	12	15	170	6 11/16	18	35	1.0	320	290						M8-M16
PC3-90-1-400	101.6	4	16	17	170	6 11/16	24	40	1.4	490	450						M8-M16
PC3-90-2-400	101.6	4	16	17	170	6 11/16	24	40	1.8	800	800						M8-M16
PC3-90-0-490	101.6	4	12	15	180	7 1/16	18	40	1.3	390	390	390	310	180	130	110	M8-M16
PC3-90-1-490	101.6	4	16	17	180	7 1/16	24	40	1.4	510	510	440	310	190	140	110	M8-M16
PC3-90-2-490	101.6	4	16	17	180	7 1/16	24	50	2.8	800	800	800	800	730	530	410	M8-M16
PC3-90-0-530	101.6	4	12	15	180	7 1/16	18	40	1.3	390	390	390	310	180	130	110	M8-M16
PC3-90-1-530	101.6	4	16	17	180	7 1/16	24	50	2.8	800	800	800	800	730	530	410	M8-M16
PC3-90-2-530	101.6	4	16	17	180	7 1/16	24	50	2.8	800	800	800	800	730	530	410	M8-M16
PC3-90-0-560	101.6	4	12	15	180	7 1/16	18	40	1.3	390	390	390	330	230	190	140	M8-M16
PC3-90-1-560	101.6	4	16	17	180	7 1/16	24	50	2.8	800	800	800	800	800	720	550	M8-M16
PC3-90-2-560	101.6	4	16	17	180	7 1/16	24	50	2.8	800	800	800	800	800	720	550	M8-M16
PC3-90-0-600	101.6	4	12	15	180	7 1/16	18	50	2.7	390	390	390	390	390	390	390	M8-M16
PC3-90-1-600	101.6	4	16	17	180	7 1/16	24	50	2.8	800	800	800	800	800	720	550	M8-M16
PC3-90-2-600	101.6	4	16	17	180	7 1/16	24	50	2.8	800	800	800	800	800	720	550	M8-M16

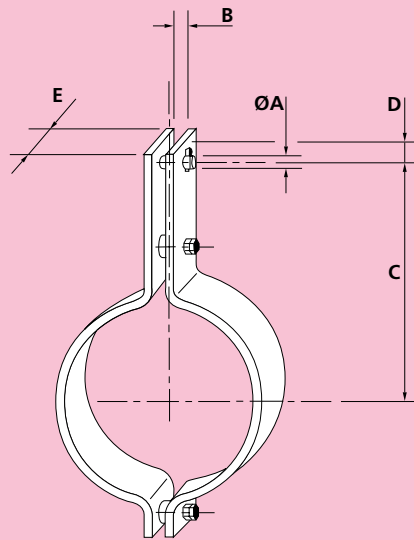
PC3 PIPE CLAMP THREE BOLT TYPE



Material: Carbon Steel to 400°C Alloy Steel above 400°C

Part Number	Pipe O/D		A	B	C		D	E	Weight	Load Capacity (kgf) at Temperature C							Compatible with Rod Sizes	
	mm	in			mm	in				mm	in	350	400	490	530	560		580
PC3-100-0-400	114.3	4.5	12	15	180	7 ¹ / ₁₆	18	35	1.0	270	240							M8-M16
PC3-100-1-400	114.3	4.5	16	17	180	7 ¹ / ₁₆	24	40	1.5	470	430							M8-M16
PC3-100-2-400	114.3	4.5	16	17	180	7 ¹ / ₁₆	24	40	1.9	800	740							M8-M16
PC3-100-3-400	114.3	4.5	20	20	180	7 ¹ / ₁₆	30	60	4.3	1170	1170							M12-M24
PC3-100-0-490	114.3	4.5	12	15	190	7 ¹ / ₂	18	40	1.4	390	390	390	300	180	130	100		M8-M16
PC3-100-1-490	114.3	4.5	16	17	190	7 ¹ / ₂	24	40	1.5	490	490	430	300	180	130	110		M8-M16
PC3-100-2-490	114.3	4.5	16	17	190	7 ¹ / ₂	24	50	3.0	800	800	800	800	650	460	350		M8-M16
PC3-100-3-490	114.3	4.5	20	20	190	7 ¹ / ₂	30	50	3.1	1320	1320	1320	1170	740	530	400		M12-M24
PC3-100-0-530	114.3	4.5	12	15	190	7 ¹ / ₂	18	40	1.4	390	390	390	300	180	130	100		M8-M16
PC3-100-1-530	114.3	4.5	16	17	190	7 ¹ / ₂	24	50	3.0	800	800	800	800	650	460	350		M8-M16
PC3-100-2-530	114.3	4.5	16	17	190	7 ¹ / ₂	24	50	3.0	800	800	800	800	650	460	350		M8-M16
PC3-100-3-530	114.3	4.5	20	20	190	7 ¹ / ₂	30	50	3.1	1320	1320	1320	1170	740	530	400		M12-M24
PC3-100-0-560	114.3	4.5	12	15	190	7 ¹ / ₂	18	50	2.9	390	390	390	390	390	390	390		M8-M16
PC3-100-1-560	114.3	4.5	16	17	190	7 ¹ / ₂	24	50	3.0	800	800	800	800	790	630	490		M8-M16
PC3-100-2-560	114.3	4.5	16	17	190	7 ¹ / ₂	24	50	3.0	800	800	800	800	790	630	490		M8-M16
PC3-100-3-560	114.3	4.5	20	20	190	7 ¹ / ₂	30	60	3.7	1320	1320	1320	1320	1070	850	660		M12-M24
PC3-100-0-600	114.3	4.5	12	15	190	7 ¹ / ₂	18	50	2.9	390	390	390	390	390	390	390		M8-M16
PC3-100-1-600	114.3	4.5	16	17	190	7 ¹ / ₂	24	50	3.0	800	800	800	800	790	630	490		M8-M16
PC3-100-2-600	114.3	4.5	16	17	190	7 ¹ / ₂	24	60	3.6	800	800	800	800	800	750	580		M8-M16
PC3-100-3-600	114.3	4.5	20	20	190	7 ¹ / ₂	30	70	5.1	1320	1320	1320	1320	1320	1320	1090		M12-M24
PC3-125-0-400	141.3	5.5625	12	15	190	7 ¹ / ₂	18	35	1.1	260	230							M8-M16
PC3-125-1-400	141.3	5.5625	16	17	190	7 ¹ / ₂	24	40	2.1	680	610							M8-M16
PC3-125-2-400	141.3	5.5625	16	17	190	7 ¹ / ₂	24	40	2.1	680	610							M8-M16
PC3-125-3-400	141.3	5.5625	20	20	190	7 ¹ / ₂	30	60	4.7	1030	1030							M12-M24
PC3-125-0-490	141.3	5.5625	12	15	200	7 ⁷ / ₈	18	40	1.6	390	390	350	240	150	110	90		M8-M16
PC3-125-1-490	141.3	5.5625	16	17	200	7 ⁷ / ₈	24	50	3.3	800	800	800	800	590	420	330		M8-M16
PC3-125-2-490	141.3	5.5625	16	17	200	7 ⁷ / ₈	24	50	3.3	800	800	800	800	590	420	330		M8-M16
PC3-125-3-490	141.3	5.5625	20	20	200	7 ⁷ / ₈	30	50	3.4	1320	1320	1310	960	600	430	330		M12-M24
PC3-125-0-530	141.3	5.5625	12	15	200	7 ⁷ / ₈	18	40	1.6	390	390	350	240	150	110	90		M8-M16
PC3-125-1-530	141.3	5.5625	16	17	200	7 ⁷ / ₈	24	50	3.3	800	800	800	800	590	420	330		M8-M16
PC3-125-2-530	141.3	5.5625	16	17	200	7 ⁷ / ₈	24	50	3.3	800	800	800	800	590	420	330		M8-M16
PC3-125-3-530	141.3	5.5625	20	20	200	7 ⁷ / ₈	30	60	4.0	1320	1320	1320	1160	720	520	400		M12-M24
PC3-125-0-560	141.3	5.5625	12	15	210	8 ¹ / ₄	18	50	3.3	390	390	390	390	390	390	390		M8-M16
PC3-125-1-560	141.3	5.5625	16	17	210	8 ¹ / ₄	24	50	3.4	800	800	800	800	720	580	450		M8-M16
PC3-125-2-560	141.3	5.5625	16	17	210	8 ¹ / ₄	24	50	3.4	800	800	800	800	720	580	450		M8-M16
PC3-125-3-560	141.3	5.5625	20	20	210	8 ¹ / ₄	30	70	5.7	1320	1320	1320	1320	1320	1160	900		M12-M24
PC3-125-0-600	141.3	5.5625	12	15	210	8 ¹ / ₄	18	50	3.3	390	390	390	390	390	390	390		M8-M16
PC3-125-1-600	141.3	5.5625	16	17	210	8 ¹ / ₄	24	50	3.4	800	800	800	800	720	580	450		M8-M16
PC3-125-2-600	141.3	5.5625	16	17	210	8 ¹ / ₄	24	60	4.0	800	800	800	800	800	690	530		M8-M16
PC3-125-3-600	141.3	5.5625	20	20	210	8 ¹ / ₄	30	80	6.5	1320	1320	1320	1320	1320	1270	1030		M12-M24

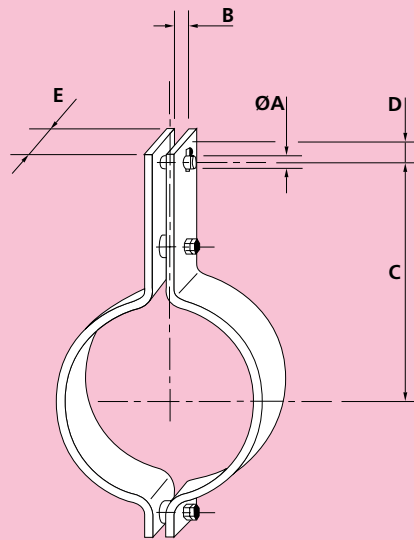
PC3 PIPE CLAMP THREE BOLT TYPE



Material: Carbon Steel to 400°C Alloy Steel above 400°C

Part Number	Pipe O/D		A	B	C		D	E	Weight	Load Capacity (kgf) at Temperature C							Compatible with Rod Sizes
	mm	in			mm	in				mm	in	350	400	490	530	560	
PC3-150-0-400	168.3	6.625	12	15	210	8 ¹ / ₄	18	40	1.7	340	300						M8-M16
PC3-150-1-400	168.3	6.625	16	17	210	8 ¹ / ₄	24	40	2.4	590	530						M8-M16
PC3-150-2-400	168.3	6.625	16	17	210	8 ¹ / ₄	24	40	2.4	590	530						M8-M16
PC3-150-3-400	168.3	6.625	20	20	210	8 ¹ / ₄	30	60	5.5	1320	1320						M12-M24
PC3-150-4-400	168.3	6.625	24	25	210	8 ¹ / ₄	36	60	5.6	1830	1790						M12-M36
PC3-150-0-490	168.3	6.625	12	15	220	8 ¹¹ / ₁₆	18	40	1.8	350	350	300	220	130	90	80	M8-M16
PC3-150-1-490	168.3	6.625	16	17	220	8 ¹¹ / ₁₆	24	50	3.7	800	800	800	800	530	380	290	M8-M16
PC3-150-2-490	168.3	6.625	16	17	220	8 ¹¹ / ₁₆	24	50	3.7	800	800	800	800	530	380	290	M8-M16
PC3-150-3-490	168.3	6.625	20	20	220	8 ¹¹ / ₁₆	30	50	3.8	1300	1300	1150	850	530	380	290	M12-M24
PC3-150-4-490	168.3	6.625	24	25	220	8 ¹¹ / ₁₆	36	70	6.4	1590	1590	1590	1540	1090	780	580	M12-M36
PC3-150-0-530	168.3	6.625	12	15	220	8 ¹¹ / ₁₆	18	50	3.6	390	390	390	390	390	370	280	M8-M16
PC3-150-1-530	168.3	6.625	16	17	220	8 ¹¹ / ₁₆	24	50	3.7	800	800	800	800	530	380	290	M8-M16
PC3-150-2-530	168.3	6.625	16	17	220	8 ¹¹ / ₁₆	24	50	3.7	800	800	800	800	530	380	290	M8-M16
PC3-150-3-530	168.3	6.625	20	20	220	8 ¹¹ / ₁₆	30	60	4.5	1320	1320	1320	1020	640	460	350	M12-M24
PC3-150-4-530	168.3	6.625	24	25	220	8 ¹¹ / ₁₆	36	80	7.5	1830	1830	1830	1800	1140	810	610	M12-M36
PC3-150-0-560	168.3	6.625	12	15	240	9 ⁷ / ₁₆	18	50	3.8	390	390	390	390	390	390	390	M8-M16
PC3-150-1-560	168.3	6.625	16	17	240	9 ⁷ / ₁₆	24	50	3.8	800	800	800	800	640	510	390	M8-M16
PC3-150-2-560	168.3	6.625	16	17	240	9 ⁷ / ₁₆	24	50	3.8	800	800	800	800	640	510	390	M8-M16
PC3-150-3-560	168.3	6.625	20	20	240	9 ⁷ / ₁₆	30	70	6.5	1320	1320	1320	1320	1280	1020	790	M12-M24
PC3-150-4-560	168.3	6.625	24	25	240	9 ⁷ / ₁₆	36	80	9.7	1830	1830	1830	1830	1830	1750	1370	M12-M36
PC3-150-0-600	168.3	6.625	12	15	240	9 ⁷ / ₁₆	18	50	3.8	390	390	390	390	390	390	390	M8-M16
PC3-150-1-600	168.3	6.625	16	17	240	9 ⁷ / ₁₆	24	50	3.8	800	800	800	800	640	510	390	M8-M16
PC3-150-2-600	168.3	6.625	16	17	240	9 ⁷ / ₁₆	24	70	6.4	800	800	800	800	800	800	780	M8-M16
PC3-150-3-600	168.3	6.625	20	20	240	9 ⁷ / ₁₆	30	80	9.2	1320	1320	1320	1320	1320	1320	1150	M12-M24
PC3-150-4-600	168.3	6.625	24	25	240	9 ⁷ / ₁₆	36	100	12.0	1830	1830	1830	1830	1830	1830	1710	M12-M36
PC3-175-0-400	193.7	7.625	12	15	250	9 ¹³ / ₁₆	18	40	2.0	330	300						M8-M16
PC3-175-1-400	193.7	7.625	16	17	250	9 ¹³ / ₁₆	24	40	2.7	570	520						M8-M16
PC3-175-2-400	193.7	7.625	16	17	250	9 ¹³ / ₁₆	24	45	3.7	770	770						M8-M16
PC3-175-3-400	193.7	7.625	20	20	250	9 ¹³ / ₁₆	30	60	6.2	1320	1320						M12-M24
PC3-175-4-400	193.7	7.625	24	25	250	9 ¹³ / ₁₆	36	60	6.3	1640	1640						M12-M36
PC3-175-5-400	193.7	7.625	30	29	250	9 ¹³ / ₁₆	45	90	16.3	3050	3050						M12-M36
PC3-175-0-490	193.7	7.625	12	15	260	10 ¹ / ₄	18	40	2.0	340	340	300	210	130	90	70	M8-M16
PC3-175-1-490	193.7	7.625	16	17	260	10 ¹ / ₄	24	50	4.2	800	800	800	740	460	330	250	M8-M16
PC3-175-2-490	193.7	7.625	16	17	260	10 ¹ / ₄	24	50	4.2	800	800	800	740	460	330	250	M8-M16
PC3-175-3-490	193.7	7.625	20	20	260	10 ¹ / ₄	30	60	5.1	1320	1320	1200	900	560	400	310	M12-M24
PC3-175-4-490	193.7	7.625	24	25	260	10 ¹ / ₄	36	70	7.4	1830	1830	1830	1520	970	690	510	M12-M36
PC3-175-5-490	193.7	7.625	30	29	260	10 ¹ / ₄	45	80	8.7	2590	2590	2320	1760	1120	800	590	M12-M36
PC3-175-0-530	193.7	7.625	12	15	260	10 ¹ / ₄	18	50	4.1	390	390	390	390	390	330	250	M8-M16
PC3-175-1-530	193.7	7.625	16	17	260	10 ¹ / ₄	24	50	4.2	800	800	800	740	460	330	250	M8-M16
PC3-175-2-530	193.7	7.625	16	17	260	10 ¹ / ₄	24	50	4.2	800	800	800	740	460	330	250	M8-M16
PC3-175-3-530	193.7	7.625	20	20	260	10 ¹ / ₄	30	70	7.2	1320	1320	1320	1320	950	680	500	M12-M24
PC3-175-4-530	193.7	7.625	24	25	260	10 ¹ / ₄	36	80	8.4	1830	1830	1830	1730	1110	790	590	M12-M36
PC3-175-5-530	193.7	7.625	30	29	260	10 ¹ / ₄	45	80	10.8	3000	3000	3000	2830	1850	1300	940	M12-M36
PC3-175-0-560	193.7	7.625	12	15	260	10 ¹ / ₄	18	50	4.1	390	390	390	390	390	390	340	M8-M16
PC3-175-1-560	193.7	7.625	16	17	260	10 ¹ / ₄	24	50	4.2	800	800	800	770	560	450	350	M8-M16
PC3-175-2-560	193.7	7.625	16	17	260	10 ¹ / ₄	24	50	4.2	800	800	800	770	560	450	350	M8-M16
PC3-175-3-560	193.7	7.625	20	20	260	10 ¹ / ₄	30	70	7.2	1320	1320	1320	1320	1130	900	700	M12-M24
PC3-175-4-560	193.7	7.625	24	25	260	10 ¹ / ₄	36	80	10.5	1830	1830	1830	1830	1830	1680	1320	M12-M36
PC3-175-5-560	193.7	7.625	30	29	260	10 ¹ / ₄	45	100	13.4	3000	3000	3000	3000	2690	2130	1670	M12-M36
PC3-175-0-600	193.7	7.625	12	15	260	10 ¹ / ₄	18	50	4.1	390	390	390	390	390	390	340	M8-M16
PC3-175-1-600	193.7	7.625	16	17	260	10 ¹ / ₄	24	60	5.0	800	800	800	800	670	540	420	M8-M16
PC3-175-2-600	193.7	7.625	16	17	260	10 ¹ / ₄	24	70	7.0	800	800	800	800	800	800	690	M8-M16
PC3-175-3-600	193.7	7.625	20	20	260	10 ¹ / ₄	30	80	10.2	1320	1320	1320	1320	1320	1280	1110	M12-M24
PC3-175-4-600	193.7	7.625	24	25	260	10 ¹ / ₄	36	100	13.0	1830	1830	1830	1830	1830	1830	1650	M12-M36
PC3-175-5-600	193.7	7.625	30	29	260	10 ¹ / ₄	45	100	17.9	3050	3050	3050	3050	3050	3050	2880	M12-M36

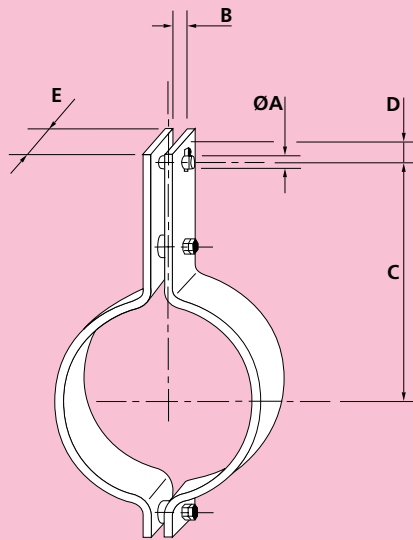
PC3 PIPE CLAMP THREE BOLT TYPE



Material: Carbon Steel to 400°C Alloy Steel above 400°C

Part Number	Pipe O/D		A	B	C		D	E	Weight	Load Capacity (kgf) at Temperature C						Compatible with Rod Sizes	
	mm	in			mm	in				mm	in	350	400	490	530		560
PC3-200-0-400	219.1	8.625	12	15	280	11	18	40	2.2	290	260						M8-M16
PC3-200-1-400	219.1	8.625	16	17	280	11	24	40	3.0	510	460						M8-M16
PC3-200-2-400	219.1	8.625	16	17	280	11	24	45	4.2	730	730						M8-M16
PC3-200-3-400	219.1	8.625	20	20	280	11	30	60	6.9	1320	1320						M12-M24
PC3-200-4-400	219.1	8.625	24	25	280	11	36	65	12.8	1830	1830						M12-M36
PC3-200-5-400	219.1	8.625	30	29	280	11	45	90	17.9	3050	3050						M12-M36
PC3-200-6-400	219.1	8.625	36	41	280	11	54	90	18.8	3810	3810						M20-M64
PC3-200-0-490	219.1	8.625	12	15	290	11 ^{7/16}	18	40	2.2	300	300	260	190	120	80	70	M8-M16
PC3-200-1-490	219.1	8.625	16	17	290	11 ^{7/16}	24	50	4.7	800	800	800	660	420	300	220	M8-M16
PC3-200-2-490	219.1	8.625	16	17	290	11 ^{7/16}	24	50	4.7	800	800	800	660	420	300	220	M8-M16
PC3-200-3-490	219.1	8.625	20	20	290	11 ^{7/16}	30	60	5.7	1200	1200	1060	800	500	360	270	M12-M24
PC3-200-4-490	219.1	8.625	24	25	290	11 ^{7/16}	36	70	8.2	1830	1830	1780	1360	870	620	460	M12-M36
PC3-200-5-490	219.1	8.625	30	29	290	11 ^{7/16}	45	80	11.9	2800	2800	2800	2540	1660	1170	850	M12-M36
PC3-200-6-490	219.1	8.625	36	41	290	11 ^{7/16}	54	100	15.5	3810	3810	3810	3280	2150	1510	1090	M20-M64
PC3-200-0-530	219.1	8.625	12	15	290	11 ^{7/16}	18	50	4.6	390	390	390	390	390	290	220	M8-M16
PC3-200-1-530	219.1	8.625	16	17	290	11 ^{7/16}	24	50	4.7	800	800	800	660	420	300	220	M8-M16
PC3-200-2-530	219.1	8.625	16	17	290	11 ^{7/16}	24	50	4.7	800	800	800	660	420	300	220	M8-M16
PC3-200-3-530	219.1	8.625	20	20	290	11 ^{7/16}	30	70	7.9	1240	1240	1240	1200	950	670	500	M12-M24
PC3-200-4-530	219.1	8.625	24	25	290	11 ^{7/16}	36	80	11.6	1830	1830	1830	1830	1640	1160	840	M12-M36
PC3-200-5-530	219.1	8.625	30	29	290	11 ^{7/16}	45	80	11.9	2800	2800	2800	2540	1660	1170	850	M12-M36
PC3-200-6-530	219.1	8.625	36	41	290	11 ^{7/16}	54	100	20.5	3810	3810	3810	3810	3810	2780	1990	M20-M64
PC3-200-0-560	219.1	8.625	12	15	290	11 ^{7/16}	18	50	4.6	390	390	390	390	390	390	310	M8-M16
PC3-200-1-560	219.1	8.625	16	17	290	11 ^{7/16}	24	50	4.7	800	800	800	690	500	400	310	M8-M16
PC3-200-2-560	219.1	8.625	16	17	290	11 ^{7/16}	24	60	5.6	800	800	800	800	600	480	370	M8-M16
PC3-200-3-560	219.1	8.625	20	20	290	11 ^{7/16}	30	70	7.9	1240	1240	1240	1200	1080	890	700	M12-M24
PC3-200-4-560	219.1	8.625	24	25	290	11 ^{7/16}	36	80	11.6	1830	1830	1830	1830	1830	1510	1190	M12-M36
PC3-200-5-560	219.1	8.625	30	29	290	11 ^{7/16}	45	100	14.8	2800	2800	2800	2800	2410	1910	1500	M12-M36
PC3-200-6-560	219.1	8.625	36	41	290	11 ^{7/16}	54	100	20.5	3810	3810	3810	3810	3810	3550	2820	M20-M64
PC3-200-0-600	219.1	8.625	12	15	290	11 ^{7/16}	18	50	4.6	390	390	390	390	390	390	310	M8-M16
PC3-200-1-600	219.1	8.625	16	17	290	11 ^{7/16}	24	60	5.6	800	800	800	800	600	480	370	M8-M16
PC3-200-2-600	219.1	8.625	16	17	290	11 ^{7/16}	24	70	7.8	800	800	800	800	800	800	620	M8-M16
PC3-200-3-600	219.1	8.625	20	20	290	11 ^{7/16}	30	80	11.3	1320	1320	1320	1320	1320	1230	1080	M12-M24
PC3-200-4-600	219.1	8.625	24	25	290	11 ^{7/16}	36	100	19.3	1830	1830	1830	1830	1830	1830	1830	M12-M36
PC3-200-5-600	219.1	8.625	30	29	290	11 ^{7/16}	45	100	19.7	3050	3050	3050	3050	3050	2960	2730	M12-M36
PC3-200-6-600	219.1	8.625	36	41	290	11 ^{7/16}	54	90	23.1	3810	3810	3810	3810	3810	3810	3810	M20-M64

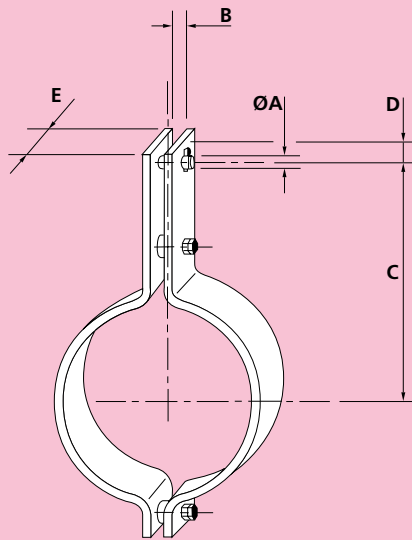
PC3 PIPE CLAMP THREE BOLT TYPE



Material: Carbon Steel to 400°C Alloy Steel above 400°C

Part Number	Pipe O/D		A	B	C		D	E	Weight	Load Capacity (kgf) at Temperature C							Compatible with Rod Sizes
	mm	in			mm	in				mm	in	350	400	490	530	560	
PC3-225-0-400	244.5	9.625	12	15	290	11 ⁷ / ₁₆	18	40	2.3	290	260						M8-M16
PC3-225-1-400	244.5	9.625	16	17	290	11 ⁷ / ₁₆	24	40	3.1	500	450						M8-M16
PC3-225-2-400	244.5	9.625	16	17	290	11 ⁷ / ₁₆	24	45	4.4	660	660						M8-M16
PC3-225-3-400	244.5	9.625	20	20	290	11 ⁷ / ₁₆	30	60	7.3	1320	1320						M12-M24
PC3-225-4-400	244.5	9.625	24	25	290	11 ⁷ / ₁₆	36	65	13.2	1730	1730						M12-M36
PC3-225-5-400	244.5	9.625	30	29	290	11 ⁷ / ₁₆	45	90	18.8	2770	2770						M12-M36
PC3-225-6-400	244.5	9.625	36	41	290	11 ⁷ / ₁₆	54	90	19.8	3810	3810						M20-M64
PC3-225-0-490	244.5	9.625	12	15	300	11 ¹³ / ₁₆	18	40	2.4	300	300	260	180	110	80	60	M8-M16
PC3-225-1-490	244.5	9.625	16	17	300	11 ¹³ / ₁₆	24	50	4.9	800	800	800	630	400	280	220	M8-M16
PC3-225-2-490	244.5	9.625	16	17	300	11 ¹³ / ₁₆	24	50	4.9	800	800	800	630	400	280	220	M8-M16
PC3-225-3-490	244.5	9.625	20	20	300	11 ¹³ / ₁₆	30	60	6.0	1130	1130	1040	770	480	340	260	M12-M24
PC3-225-4-490	244.5	9.625	24	25	300	11 ¹³ / ₁₆	36	80	9.9	1830	1830	1790	1350	860	610	460	M12-M36
PC3-225-5-490	244.5	9.625	30	29	300	11 ¹³ / ₁₆	45	80	12.7	2690	2690	2690	2220	1440	1020	740	M12-M36
PC3-225-6-490	244.5	9.625	36	41	300	11 ¹³ / ₁₆	54	100	16.4	3810	3810	3700	2870	1860	1320	960	M20-M64
PC3-225-0-530	244.5	9.625	12	15	300	11 ¹³ / ₁₆	18	50	4.9	390	390	390	390	390	280	210	M8-M16
PC3-225-1-530	244.5	9.625	16	17	300	11 ¹³ / ₁₆	24	50	4.9	800	800	800	630	400	280	220	M8-M16
PC3-225-2-530	244.5	9.625	16	17	300	11 ¹³ / ₁₆	24	50	4.9	800	800	800	630	400	280	220	M8-M16
PC3-225-3-530	244.5	9.625	20	20	300	11 ¹³ / ₁₆	30	70	8.4	1210	1210	1210	1180	810	580	430	M12-M24
PC3-225-4-530	244.5	9.625	24	25	300	11 ¹³ / ₁₆	36	80	12.3	1830	1830	1830	1830	1430	1010	740	M12-M36
PC3-225-5-530	244.5	9.625	30	29	300	11 ¹³ / ₁₆	45	100	15.7	2690	2690	2690	2690	1800	1270	930	M12-M36
PC3-225-6-530	244.5	9.625	36	41	300	11 ¹³ / ₁₆	54	100	21.6	3810	3810	3810	3810	3500	2450	1740	M20-M64
PC3-225-0-560	244.5	9.625	12	15	300	11 ¹³ / ₁₆	18	50	4.9	390	390	390	390	390	380	290	M8-M16
PC3-225-1-560	244.5	9.625	16	17	300	11 ¹³ / ₁₆	24	50	4.9	800	800	800	660	480	380	300	M8-M16
PC3-225-2-560	244.5	9.625	16	17	300	11 ¹³ / ₁₆	24	60	5.9	800	800	800	800	580	460	360	M8-M16
PC3-225-3-560	244.5	9.625	20	20	300	11 ¹³ / ₁₆	30	80	9.5	1210	1210	1210	1180	1070	880	690	M12-M24
PC3-225-4-560	244.5	9.625	24	25	300	11 ¹³ / ₁₆	36	80	12.3	1830	1830	1830	1830	1670	1330	1040	M12-M36
PC3-225-5-560	244.5	9.625	30	29	300	11 ¹³ / ₁₆	45	100	20.9	2960	2960	2960	2960	2960	2860	2410	M12-M36
PC3-225-6-560	244.5	9.625	36	41	300	11 ¹³ / ₁₆	54	100	21.6	3810	3810	3810	3810	3810	3140	2490	M20-M64
PC3-225-0-600	244.5	9.625	12	15	300	11 ¹³ / ₁₆	18	50	4.9	390	390	390	390	390	380	290	M8-M16
PC3-225-1-600	244.5	9.625	16	17	300	11 ¹³ / ₁₆	24	70	8.2	800	800	800	800	800	760	590	M8-M16
PC3-225-2-600	244.5	9.625	16	17	300	11 ¹³ / ₁₆	24	70	8.2	800	800	800	800	800	760	590	M8-M16
PC3-225-3-600	244.5	9.625	20	20	300	11 ¹³ / ₁₆	30	80	12.2	1320	1320	1320	1320	1320	1310	1020	M12-M24
PC3-225-4-600	244.5	9.625	24	25	300	11 ¹³ / ₁₆	36	100	20.5	1830	1830	1830	1830	1830	1830	1830	M12-M36
PC3-225-5-600	244.5	9.625	30	29	300	11 ¹³ / ₁₆	45	100	20.9	2960	2960	2960	2960	2960	2860	2410	M12-M36
PC3-225-6-600	244.5	9.625	36	41	300	11 ¹³ / ₁₆	54	100	27.0	3810	3810	3810	3810	3810	3810	3810	M20-M64

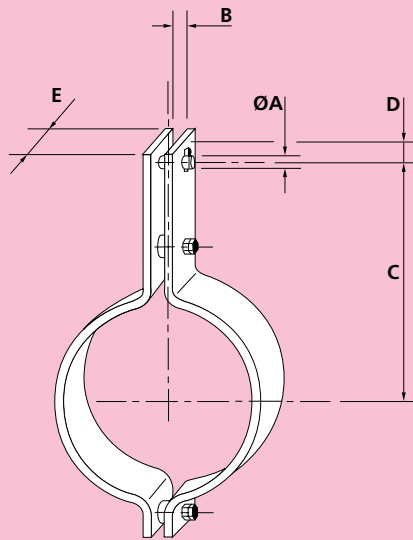
PC3 PIPE CLAMP THREE BOLT TYPE



Material: Carbon Steel to 400°C Alloy Steel above 400°C

Part Number	Pipe O/D		A	B	C		D	E	Weight	Load Capacity (kgf) at Temperature C							Compatible with Rod Sizes
	mm	in			mm	in				mm	in	350	400	490	530	560	
PC3-250-0-400	273	10.75	12	15	320	12 ⁵ / ₈	18	40	3.4	390	390						M8-M16
PC3-250-1-400	273	10.75	16	17	320	12 ⁵ / ₈	24	40	3.5	460	420						M8-M16
PC3-250-2-400	273	10.75	16	17	320	12 ⁵ / ₈	24	45	4.8	620	620						M8-M16
PC3-250-3-400	273	10.75	20	20	320	12 ⁵ / ₈	30	60	8.0	1320	1240						M12-M24
PC3-250-4-400	273	10.75	24	25	320	12 ⁵ / ₈	36	65	14.5	1590	1590						M12-M36
PC3-250-5-400	273	10.75	30	29	320	12 ⁵ / ₈	45	90	20.7	2670	2670						M12-M36
PC3-250-6-400	273	10.75	36	41	320	12 ⁵ / ₈	54	90	21.5	3810	3810						M20-M64
PC3-250-7-400	273	10.75	42	45	320	12 ⁵ / ₈	63	110	27.6	5470	5470						M30-M64
PC3-250-0-490	273	10.75	12	15	330	13	18	50	5.3	390	390	390	390	380	270	200	M8-M16
PC3-250-1-490	273	10.75	16	17	330	13	24	50	5.4	800	800	800	600	380	270	200	M8-M16
PC3-250-2-490	273	10.75	16	17	330	13	24	50	5.4	800	800	800	600	380	270	200	M8-M16
PC3-250-3-490	273	10.75	20	20	330	13	30	70	9.2	1120	1120	1120	1100	780	550	410	M12-M24
PC3-250-4-490	273	10.75	24	25	330	13	36	80	10.8	1830	1830	1670	1280	820	580	430	M12-M36
PC3-250-5-490	273	10.75	30	29	330	13	45	80	13.8	2480	2480	2480	2100	1380	970	700	M12-M36
PC3-250-6-490	273	10.75	36	41	330	13	54	100	23.5	3810	3810	3810	3810	3330	2320	1660	M20-M64
PC3-250-7-490	273	10.75	42	45	330	13	63	110	27.0	5470	5470	5470	5140	3480	2420	1730	M30-M64
PC3-250-0-530	273	10.75	12	15	330	13	18	50	5.3	390	390	390	390	380	270	200	M8-M16
PC3-250-1-530	273	10.75	16	17	330	13	24	50	5.4	800	800	800	600	380	270	200	M8-M16
PC3-250-2-530	273	10.75	16	17	330	13	24	50	5.4	800	800	800	600	380	270	200	M8-M16
PC3-250-3-530	273	10.75	20	20	330	13	30	70	9.2	1120	1120	1120	1100	780	550	410	M12-M24
PC3-250-4-530	273	10.75	24	25	330	13	36	80	13.5	1830	1830	1830	1830	1360	960	690	M12-M36
PC3-250-5-530	273	10.75	30	29	330	13	45	100	17.1	2480	2480	2480	2480	1720	1210	880	M12-M36
PC3-250-6-530	273	10.75	36	41	330	13	54	100	23.5	3810	3810	3810	3810	3330	2320	1660	M20-M64
PC3-250-7-530	273	10.75	42	45	330	13	63	110	33.4	5470	5470	5470	5470	5470	4260	3070	M30-M64
PC3-250-0-560	273	10.75	12	15	330	13	18	50	5.3	390	390	390	390	390	360	280	M8-M16
PC3-250-1-560	273	10.75	16	17	330	13	24	50	5.4	800	800	800	630	460	360	280	M8-M16
PC3-250-2-560	273	10.75	16	17	330	13	24	60	6.5	800	800	800	750	550	440	340	M8-M16
PC3-250-3-560	273	10.75	20	20	330	13	30	80	13.3	1320	1320	1320	1320	1320	1240	970	M12-M24
PC3-250-4-560	273	10.75	24	25	330	13	36	100	16.8	1830	1830	1830	1830	1830	1570	1230	M12-M36
PC3-250-5-560	273	10.75	30	29	330	13	45	100	22.8	2720	2720	2720	2720	2720	2640	2290	M12-M36
PC3-250-6-560	273	10.75	36	41	330	13	54	100	23.5	3810	3810	3810	3810	3750	2960	2350	M20-M64
PC3-250-7-560	273	10.75	42	45	330	13	63	110	33.4	5470	5470	5470	5470	5470	5260	4200	M30-M64
PC3-250-0-600	273	10.75	12	15	330	13	18	50	5.3	390	390	390	390	390	360	280	M8-M16
PC3-250-1-600	273	10.75	16	17	330	13	24	70	9.1	800	800	800	800	800	730	570	M8-M16
PC3-250-2-600	273	10.75	16	17	330	13	24	70	9.1	800	800	800	800	800	730	570	M8-M16
PC3-250-3-600	273	10.75	20	20	330	13	30	100	16.6	1320	1320	1320	1320	1320	1320	1210	M12-M24
PC3-250-4-600	273	10.75	24	25	330	13	36	100	22.4	1830	1830	1830	1830	1830	1830	1830	M12-M36
PC3-250-5-600	273	10.75	30	29	330	13	45	100	22.8	2720	2720	2720	2720	2720	2640	2290	M12-M36
PC3-250-6-600	273	10.75	36	41	330	13	54	100	29.4	3810	3810	3810	3810	3810	3810	3790	M20-M64
PC3-250-7-600	273	10.75	42	45	330	13	63	110	40.1	5470	5470	5470	5470	5470	5470	5470	M30-M64

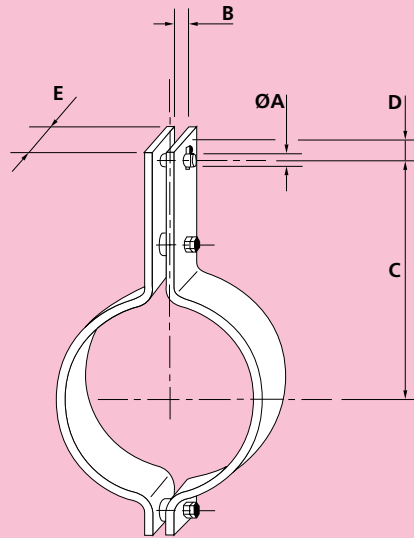
PC3 PIPE CLAMP THREE BOLT TYPE



Material: Carbon Steel to 400°C Alloy Steel above 400°C

Part Number	Pipe O/D		A	B	C		D	E	Weight	Load Capacity (kgf) at Temperature C							Compatible with Rod Sizes		
	mm	in			mm	in				mm	in	350	400	490	530	560		580	600
PC3-300-1-400	323.9	12.75	16	17	350	13 ³ / ₄	24	45	5.5	590	590							M8-M16	
PC3-300-2-400	323.9	12.75	16	17	350	13 ³ / ₄	24	45	5.5	590	590							M8-M16	
PC3-300-3-400	323.9	12.75	20	20	350	13 ³ / ₄	30	60	8.9	1180	1130							M12-M24	
PC3-300-4-400	323.9	12.75	24	25	350	13 ³ / ₄	36	65	16.5	1830	1830							M12-M36	
PC3-300-5-400	323.9	12.75	30	29	350	13 ³ / ₄	45	90	23.0	2340	2340							M12-M36	
PC3-300-6-400	323.9	12.75	36	41	350	13 ³ / ₄	54	90	24.8	3810	3810							M20-M64	
PC3-300-7-400	323.9	12.75	42	45	360	14 ³ / ₁₆	63	110	38.1	5470	5470							M30-M64	
PC3-300-8-400	323.9	12.75	48	52	370	14 ⁹ / ₁₆	72	130	47.4	9820	9410							M42-M80	
PC3-300-1-490	323.9	12.75	16	17	370	14 ⁹ / ₁₆	24	50	6.2	740	740	660	500	320	230	170		M8-M16	
PC3-300-2-490	323.9	12.75	16	17	370	14 ⁹ / ₁₆	24	50	6.2	740	740	660	500	320	230	170		M8-M16	
PC3-300-3-490	323.9	12.75	20	20	370	14 ⁹ / ₁₆	30	70	10.6	1320	1320	1320	1020	660	470	340		M12-M24	
PC3-300-4-490	323.9	12.75	24	25	370	14 ⁹ / ₁₆	36	80	15.2	1830	1830	1830	1830	1270	890	640		M12-M36	
PC3-300-5-490	323.9	12.75	30	29	370	14 ⁹ / ₁₆	45	100	19.7	3050	3050	2830	2240	1480	1040	740		M12-M36	
PC3-300-6-490	323.9	12.75	36	41	370	14 ⁹ / ₁₆	54	100	26.6	3810	3810	3810	3810	2880	2000	1440		M20-M64	
PC3-300-7-490	323.9	12.75	42	45	370	14 ⁹ / ₁₆	63	110	30.2	5470	5470	5470	4700	3200	2220	1600		M30-M64	
PC3-300-8-490	323.9	12.75	48	52	370	14 ⁹ / ₁₆	72	120	42.8	9770	9770	9210	7760	5520	3930	2820		M42-M80	
PC3-300-1-530	323.9	12.75	16	17	370	14 ⁹ / ₁₆	24	50	6.2	740	740	660	500	320	230	170		M8-M16	
PC3-300-2-530	323.9	12.75	16	17	370	14 ⁹ / ₁₆	24	60	7.4	800	800	800	600	380	270	200		M8-M16	
PC3-300-3-530	323.9	12.75	20	20	370	14 ⁹ / ₁₆	30	70	10.6	1320	1320	1320	1020	660	470	340		M12-M24	
PC3-300-4-530	323.9	12.75	24	25	370	14 ⁹ / ₁₆	36	80	15.2	1830	1830	1830	1830	1270	890	640		M12-M36	
PC3-300-5-530	323.9	12.75	30	29	370	14 ⁹ / ₁₆	45	100	26.1	3050	3050	3050	3050	2810	1950	1410		M12-M36	
PC3-300-6-530	323.9	12.75	36	41	370	14 ⁹ / ₁₆	54	100	26.6	3810	3810	3810	3810	2880	2000	1440		M20-M64	
PC3-300-7-530	323.9	12.75	42	45	370	14 ⁹ / ₁₆	63	110	37.5	5470	5470	5470	5470	5260	3740	2680		M30-M64	
PC3-300-8-530	323.9	12.75	48	52	370	14 ⁹ / ₁₆	72	120	42.8	9770	9770	9210	7760	5520	3930	2820		M42-M80	
PC3-300-1-560	323.9	12.75	16	17	390	15 ³ / ₈	24	50	6.4	740	740	670	520	380	300	240		M8-M16	
PC3-300-2-560	323.9	12.75	16	17	390	15 ³ / ₈	24	70	10.6	800	800	800	800	800	680	530		M8-M16	
PC3-300-3-560	323.9	12.75	20	20	390	15 ³ / ₈	30	80	15.3	1110	1110	1110	1110	1070	1000	890		M12-M24	
PC3-300-4-560	323.9	12.75	24	25	390	15 ³ / ₈	36	100	19.4	1830	1830	1830	1830	1830	1450	1140		M12-M36	
PC3-300-5-560	323.9	12.75	30	29	390	15 ³ / ₈	45	100	26.3	2390	2390	2390	2390	2390	2310	2120		M12-M36	
PC3-300-6-560	323.9	12.75	36	41	390	15 ³ / ₈	54	90	30.5	3810	3810	3810	3810	3810	3810	3140		M20-M64	
PC3-300-7-560	323.9	12.75	42	45	390	15 ³ / ₈	63	110	38.4	5470	5470	5470	5470	5470	5470	4570	3650		M30-M64
PC3-300-8-560	323.9	12.75	48	52	390	15 ³ / ₈	72	120	52.2	10910	10910	10910	10910	8920	7190	5710		M42-M80	
PC3-300-1-600	323.9	12.75	16	17	390	15 ³ / ₈	24	70	10.6	800	800	800	800	800	680	530		M8-M16	
PC3-300-2-600	323.9	12.75	16	17	390	15 ³ / ₈	24	80	12.1	800	800	800	800	800	770	600		M8-M16	
PC3-300-3-600	323.9	12.75	20	20	390	15 ³ / ₈	30	100	19.3	1320	1320	1320	1320	1320	1320	1130		M12-M24	
PC3-300-4-600	323.9	12.75	24	25	390	15 ³ / ₈	36	100	25.9	1830	1830	1830	1830	1830	1830	1830		M12-M36	
PC3-300-5-600	323.9	12.75	30	29	390	15 ³ / ₈	45	90	30.2	3050	3050	3050	3050	3050	3050	2900		M12-M36	
PC3-300-6-600	323.9	12.75	36	41	390	15 ³ / ₈	54	110	37.0	3810	3810	3810	3810	3810	3810	3810		M20-M64	
PC3-300-7-600	323.9	12.75	42	45	390	15 ³ / ₈	63	110	46.1	5470	5470	5470	5470	5470	5470	5420		M30-M64	
PC3-300-8-600	323.9	12.75	48	52	390	15 ³ / ₈	72	160	68.7	10910	10910	10910	10910	10910	9590	7620		M42-M80	

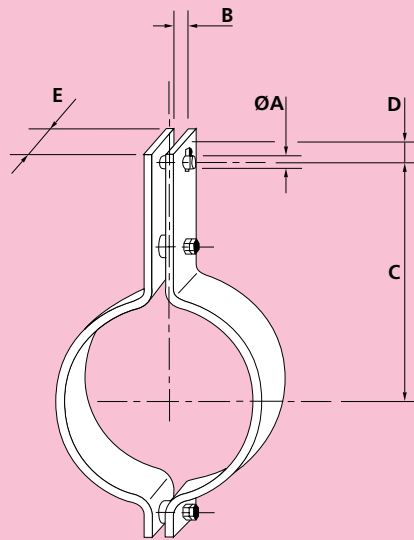
PC3 PIPE CLAMP THREE BOLT TYPE



Material: Carbon Steel to 400°C Alloy Steel above 400°C

Part Number	Pipe O/D		A	B	C		D	E	Weight	Load Capacity (kgf) at Temperature C							Compatible with Rod Sizes	
	mm	in			mm	in				mm	in	350	400	490	530	560		580
PC3-350-1-400	355.6	14	16	17	380	14 ^{15/16}	24	45	5.9	550	550							M8-M16
PC3-350-2-400	355.6	14	16	17	380	14 ^{15/16}	24	45	5.9	550	550							M8-M16
PC3-350-3-400	355.6	14	20	20	380	14 ^{15/16}	30	60	9.6	1100	1090							M12-M24
PC3-350-4-400	355.6	14	24	25	380	14 ^{15/16}	36	65	17.8	1830	1830							M12-M36
PC3-350-5-400	355.6	14	30	29	380	14 ^{15/16}	45	90	25.3	3050	3050							M12-M36
PC3-350-6-400	355.6	14	36	41	380	14 ^{15/16}	54	90	26.5	3810	3810							M20-M64
PC3-350-7-400	355.6	14	42	45	380	14 ^{15/16}	63	110	40.6	5470	5470							M30-M64
PC3-350-8-400	355.6	14	48	52	390	15 ^{3/8}	72	130	50.3	8900	8540							M42-M80
PC3-350-9-400	355.6	14	56	58	440	17 ^{9/16}	84	150	75.4	10000	10000							M42-M80
PC3-350-1-490	355.6	14	16	17	400	15 ^{3/4}	24	50	6.7	720	720	640	490	310	220	160		M8-M16
PC3-350-2-490	355.6	14	16	17	400	15 ^{3/4}	24	50	6.7	720	720	640	490	310	220	160		M8-M16
PC3-350-3-490	355.6	14	20	20	400	15 ^{3/4}	30	70	11.4	1320	1320	1270	990	640	450	330		M12-M24
PC3-350-4-490	355.6	14	24	25	400	15 ^{3/4}	36	80	16.5	1830	1830	1830	1710	1130	790	570		M12-M36
PC3-350-5-490	355.6	14	30	29	400	15 ^{3/4}	45	100	21.2	2980	2980	2710	2150	1430	1000	710		M12-M36
PC3-350-6-490	355.6	14	36	41	400	15 ^{3/4}	54	100	28.5	3810	3810	3810	3810	2760	1920	1390		M20-M64
PC3-350-7-490	355.6	14	42	45	400	15 ^{3/4}	63	110	40.4	5470	5470	5470	5470	4770	3400	2440		M30-M64
PC3-350-8-490	355.6	14	48	52	400	15 ^{3/4}	72	120	45.6	9280	9280	8750	7380	5260	3750	2690		M42-M80
PC3-350-9-490	355.6	14	56	58	410	16 ^{1/8}	84	140	54.8	10000	10000	10000	8690	6200	4420	3170		M42-M80
PC3-350-1-530	355.6	14	16	17	400	15 ^{3/4}	24	50	6.7	720	720	640	490	310	220	160		M8-M16
PC3-350-2-530	355.6	14	16	17	400	15 ^{3/4}	24	60	8.0	800	800	770	580	370	270	200		M8-M16
PC3-350-3-530	355.6	14	20	20	400	15 ^{3/4}	30	80	13.0	1320	1320	1320	1130	730	520	380		M12-M24
PC3-350-4-530	355.6	14	24	25	400	15 ^{3/4}	36	80	16.5	1830	1830	1830	1710	1130	790	570		M12-M36
PC3-350-5-530	355.6	14	30	29	400	15 ^{3/4}	45	100	28.1	3050	3050	3050	3050	2700	1880	1360		M12-M36
PC3-350-6-530	355.6	14	36	41	400	15 ^{3/4}	54	100	28.5	3810	3810	3810	3810	2760	1920	1390		M20-M64
PC3-350-7-530	355.6	14	42	45	400	15 ^{3/4}	63	110	40.4	5470	5470	5470	5470	4770	3400	2440		M30-M64
PC3-350-8-530	355.6	14	48	52	400	15 ^{3/4}	72	130	49.2	10050	10050	9480	7990	5700	4060	2910		M42-M80
PC3-350-9-530	355.6	14	56	58	420	16 ^{9/16}	84	140	66.1	10000	10000	10000	10000	9370	6870	4860		M42-M80
PC3-350-1-560	355.6	14	16	17	420	16 ^{9/16}	24	50	6.8	720	720	650	510	370	290	230		M8-M16
PC3-350-2-560	355.6	14	16	17	420	16 ^{9/16}	24	70	11.5	800	800	800	800	740	590	460		M8-M16
PC3-350-3-560	355.6	14	20	20	420	16 ^{9/16}	30	80	16.7	1320	1320	1320	1320	1280	1020	800		M12-M24
PC3-350-4-560	355.6	14	24	25	420	16 ^{9/16}	36	100	21.0	1830	1830	1830	1830	1620	1280	1010		M12-M36
PC3-350-5-560	355.6	14	30	29	420	16 ^{9/16}	45	100	28.4	2330	2330	2330	2330	2330	2290	1900		M12-M36
PC3-350-6-560	355.6	14	36	41	420	16 ^{9/16}	54	90	32.8	3810	3810	3810	3810	3810	3550	2830		M20-M64
PC3-350-7-560	355.6	14	42	45	420	16 ^{9/16}	63	120	44.9	5470	5470	5470	5470	5470	4520	3600		M30-M64
PC3-350-8-560	355.6	14	48	52	420	16 ^{9/16}	72	120	55.7	10910	10910	10910	10770	8490	6850	5440		M42-M80
PC3-350-9-560	355.6	14	56	58	420	16 ^{9/16}	84	140	66.1	10000	10000	10000	10000	10000	8070	6410		M42-M80
PC3-350-1-600	355.6	14	16	17	420	16 ^{9/16}	24	70	11.5	800	800	800	800	740	590	460		M8-M16
PC3-350-2-600	355.6	14	16	17	420	16 ^{9/16}	24	80	16.3	800	800	800	800	800	800	800		M8-M16
PC3-350-3-600	355.6	14	20	20	420	16 ^{9/16}	30	100	27.8	1320	1320	1320	1320	1320	1320	1320		M12-M24
PC3-350-4-600	355.6	14	24	25	420	16 ^{9/16}	36	100	28.0	1830	1830	1830	1830	1830	1830	1830		M12-M36
PC3-350-5-600	355.6	14	30	29	420	16 ^{9/16}	45	90	32.1	2520	2520	2520	2520	2520	2520	2490		M12-M36
PC3-350-6-600	355.6	14	36	41	420	16 ^{9/16}	54	120	43.4	3810	3810	3810	3810	3810	3810	3780		M20-M64
PC3-350-7-600	355.6	14	42	45	420	16 ^{9/16}	63	120	53.6	5470	5470	5470	5470	5470	5470	5470		M30-M64
PC3-350-8-600	355.6	14	48	52	420	16 ^{9/16}	72	120	74.3	10910	10910	10910	10910	10910	10910	10280		M42-M80
PC3-350-9-600	355.6	14	56	58	430	16 ^{15/16}	84	140	88.4	10000	10000	10000	10000	10000	10000	10000		M42-M80

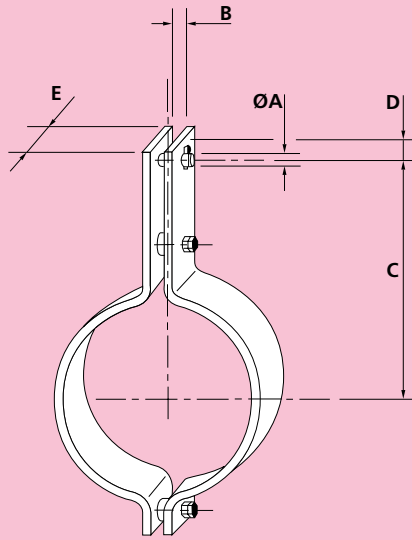
PC3 PIPE CLAMP THREE BOLT TYPE



Material: Carbon Steel to 400°C Alloy Steel above 400°C

Part Number	Pipe O/D		A	B	C		D	E	Weight	Load Capacity (kgf) at Temperature C							Compatible with Rod Sizes
	mm	in			mm	in				mm	in	350	400	490	530	560	
PC3-400-1-400	406.4	16	16	17	420	16 ⁹ / ₁₆	24	45	6.6	510	510						M8-M16
PC3-400-2-400	406.4	16	16	17	420	16 ⁹ / ₁₆	24	60	10.6	800	800						M8-M16
PC3-400-3-400	406.4	16	20	20	420	16 ⁹ / ₁₆	30	55	12.3	1130	1130						M12-M24
PC3-400-4-400	406.4	16	24	25	420	16 ⁹ / ₁₆	36	65	19.7	1830	1830						M12-M36
PC3-400-5-400	406.4	16	30	29	420	16 ⁹ / ₁₆	45	90	27.9	3000	3000						M12-M36
PC3-400-6-400	406.4	16	36	41	420	16 ⁹ / ₁₆	54	110	35.2	3810	3810						M20-M64
PC3-400-7-400	406.4	16	42	45	420	16 ⁹ / ₁₆	63	110	44.5	5470	5470						M30-M64
PC3-400-8-400	406.4	16	48	52	420	16 ⁹ / ₁₆	72	130	54.4	8150	7800						M42-M80
PC3-400-9-400	406.4	16	56	58	470	18 ¹ / ₂	84	150	81.5	10000	10000						M42-M80
PC3-400-10-400	406.4	16	64	65	500	19 ¹¹ / ₁₆	96	180	133.7	14730	14730						M42-M80
PC3-400-1-490	406.4	16	16	17	430	16 ¹⁵ / ₁₆	24	50	7.3	660	660	590	450	280	200	150	M8-M16
PC3-400-2-490	406.4	16	16	17	430	16 ¹⁵ / ₁₆	24	50	7.3	660	660	590	450	280	200	150	M8-M16
PC3-400-3-490	406.4	16	20	20	430	16 ¹⁵ / ₁₆	30	70	12.6	1200	1200	1070	830	530	380	280	M12-M24
PC3-400-4-490	406.4	16	24	25	430	16 ¹⁵ / ₁₆	36	80	18.1	1830	1830	1830	1560	1030	720	520	M12-M36
PC3-400-5-490	406.4	16	30	29	430	16 ¹⁵ / ₁₆	45	100	23.1	2750	2750	2490	1970	1290	910	650	M12-M36
PC3-400-6-490	406.4	16	36	41	430	16 ¹⁵ / ₁₆	54	100	31.6	3810	3810	3810	3470	2360	1640	1180	M20-M64
PC3-400-7-490	406.4	16	42	45	430	16 ¹⁵ / ₁₆	63	110	43.9	5470	5470	5470	5470	4330	3070	2210	M30-M64
PC3-400-8-490	406.4	16	48	52	430	16 ¹⁵ / ₁₆	72	120	49.7	8110	8110	7630	6420	4540	3220	2320	M42-M80
PC3-400-9-490	406.4	16	56	58	440	17 ⁵ / ₁₆	84	140	70.7	10000	10000	10000	10000	8510	6210	4400	M42-M80
PC3-400-10-490	406.4	16	64	65	470	18 ¹ / ₂	96	160	86.2	15540	15540	14880	12660	9400	6860	4860	M42-M80
PC3-400-1-530	406.4	16	16	17	430	16 ¹⁵ / ₁₆	24	50	7.3	660	660	590	450	280	200	150	M8-M16
PC3-400-2-530	406.4	16	16	17	430	16 ¹⁵ / ₁₆	24	60	8.8	800	800	710	530	340	240	180	M8-M16
PC3-400-3-530	406.4	16	20	20	430	16 ¹⁵ / ₁₆	30	80	17.9	1320	1320	1320	1320	1010	710	510	M12-M24
PC3-400-4-530	406.4	16	24	25	430	16 ¹⁵ / ₁₆	36	100	22.5	1830	1830	1830	1830	1280	900	650	M12-M36
PC3-400-5-530	406.4	16	30	29	430	16 ¹⁵ / ₁₆	45	100	30.8	3050	3050	3050	3050	2300	1600	1150	M12-M36
PC3-400-6-530	406.4	16	36	41	430	16 ¹⁵ / ₁₆	54	110	34.7	3810	3810	3810	3810	2590	1800	1300	M20-M64
PC3-400-7-530	406.4	16	42	45	430	16 ¹⁵ / ₁₆	63	110	43.9	5470	5470	5470	5470	4330	3070	2210	M30-M64
PC3-400-8-530	406.4	16	48	52	430	16 ¹⁵ / ₁₆	72	140	57.5	9460	9460	8900	7490	5300	3760	2700	M42-M80
PC3-400-9-530	406.4	16	56	58	440	17 ⁵ / ₁₆	84	140	70.7	10000	10000	10000	10000	8510	6210	4400	M42-M80
PC3-400-10-530	406.4	16	64	65	490	19 ⁵ / ₁₆	96	160	116.3	17480	17480	17480	17480	17480	13980	9690	M42-M80
PC3-400-1-560	406.4	16	16	17	460	18 ¹ / ₈	24	60	9.1	800	800	720	560	410	320	250	M8-M16
PC3-400-2-560	406.4	16	16	17	460	18 ¹ / ₈	24	70	12.7	800	800	800	800	680	540	420	M8-M16
PC3-400-3-560	406.4	16	20	20	460	18 ¹ / ₈	30	80	18.5	1320	1320	1320	1320	1170	930	730	M12-M24
PC3-400-4-560	406.4	16	24	25	460	18 ¹ / ₈	36	100	30.9	1830	1830	1830	1830	1830	1830	1720	M12-M36
PC3-400-5-560	406.4	16	30	29	460	18 ¹ / ₈	45	100	31.8	3050	3050	3050	3050	2580	2040	1620	M12-M36
PC3-400-6-560	406.4	16	36	41	460	18 ¹ / ₈	54	90	36.1	3770	3770	3770	3770	3770	3240	2590	M20-M64
PC3-400-7-560	406.4	16	42	45	460	18 ¹ / ₈	63	130	53.1	5470	5470	5470	5470	5470	4450	3550	M30-M64
PC3-400-8-560	406.4	16	48	52	460	18 ¹ / ₈	72	130	66.0	10290	10290	10290	10210	8020	6460	5130	M42-M80
PC3-400-9-560	406.4	16	56	58	460	18 ¹ / ₈	84	150	76.9	10000	10000	10000	10000	9750	7860	6250	M42-M80
PC3-400-10-560	406.4	16	64	65	490	19 ⁵ / ₁₆	96	160	116.3	17480	17480	17480	17480	17480	15520	12250	M42-M80
PC3-400-1-600	406.4	16	16	17	460	18 ¹ / ₈	24	70	12.7	800	800	800	800	680	540	420	M8-M16
PC3-400-2-600	406.4	16	16	17	460	18 ¹ / ₈	24	80	18.1	800	800	800	800	800	800	740	M8-M16
PC3-400-3-600	406.4	16	20	20	460	18 ¹ / ₈	30	100	30.7	1320	1320	1320	1320	1320	1320	1320	M12-M24
PC3-400-4-600	406.4	16	24	25	460	18 ¹ / ₈	36	100	30.9	1830	1830	1830	1830	1830	1830	1720	M12-M36
PC3-400-5-600	406.4	16	30	29	460	18 ¹ / ₈	45	90	35.8	3050	3050	3050	3050	3050	3000	2390	M12-M36
PC3-400-6-600	406.4	16	36	41	460	18 ¹ / ₈	54	100	48.0	3810	3810	3810	3810	3810	3810	3810	M20-M64
PC3-400-7-600	406.4	16	42	45	460	18 ¹ / ₈	63	140	68.5	5470	5470	5470	5470	5470	5470	5470	M30-M64
PC3-400-8-600	406.4	16	48	52	460	18 ¹ / ₈	72	120	81.0	10910	10910	10910	10910	10910	10910	9370	M42-M80
PC3-400-9-600	406.4	16	56	58	460	18 ¹ / ₈	84	140	95.8	10000	10000	10000	10000	10000	10000	10000	M42-M80
PC3-400-10-600	406.4	16	64	65	490	19 ⁵ / ₁₆	96	180	130.1	17480	17480	17480	17480	17480	17460	13780	M42-M80

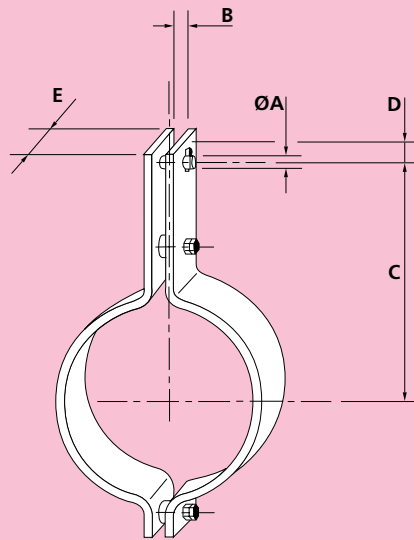
PC3 PIPE CLAMP THREE BOLT TYPE



Material: Carbon Steel to 400°C Alloy Steel above 400°C

Part Number	Pipe O/D		A	B	C		D	E	Weight	Load Capacity (kgf) at Temperature C						Compatible with Rod Sizes		
	mm	in			mm	in				mm	in	350	400	490	530		560	580
PC3-450-2-400	457.2	18	16	17	450	17 ¹¹ / ₁₆	24	60	11.6	800	800						M8-M16	
PC3-450-3-400	457.2	18	20	20	450	17 ¹¹ / ₁₆	30	55	13.4	1040	1040						M12-M24	
PC3-450-4-400	457.2	18	24	25	450	17 ¹¹ / ₁₆	36	65	21.5	1830	1830						M12-M36	
PC3-450-5-400	457.2	18	30	29	450	17 ¹¹ / ₁₆	45	90	30.4	2870	2870						M12-M36	
PC3-450-6-400	457.2	18	36	41	450	17 ¹¹ / ₁₆	54	110	38.3	3810	3810						M20-M64	
PC3-450-7-400	457.2	18	42	45	450	17 ¹¹ / ₁₆	63	110	49.5	5470	5470						M30-M64	
PC3-450-8-400	457.2	18	48	52	450	17 ¹¹ / ₁₆	72	150	67.5	8220	8060						M42-M80	
PC3-450-9-400	457.2	18	56	58	490	19 ⁹ / ₁₆	84	150	86.6	10000	10000						M42-M80	
PC3-450-10-400	457.2	18	64	65	530	20 ⁷ / ₈	96	180	143.4	13670	13670						M42-M80	
PC3-450-11-400	457.2	18	72	69	540	21 ¹ / ₄	108	180	150.0	18610	18610						M42-M80	
PC3-450-2-490	457.2	18	16	17	460	18 ¹ / ₈	24	50	8.0	630	630	560	430	280	200	150	M8-M16	
PC3-450-3-490	457.2	18	20	20	460	18 ¹ / ₈	30	70	13.7	1130	1130	1020	790	520	360	270	M12-M24	
PC3-450-4-490	457.2	18	24	25	460	18 ¹ / ₈	36	80	19.6	1770	1770	1770	1490	990	700	490	M12-M36	
PC3-450-5-490	457.2	18	30	29	460	18 ¹ / ₈	45	100	33.5	3050	3050	3050	3050	2210	1530	1110	M12-M36	
PC3-450-6-490	457.2	18	36	41	460	18 ¹ / ₈	54	100	34.2	3810	3810	3810	3310	2260	1570	1130	M20-M64	
PC3-450-7-490	457.2	18	42	45	460	18 ¹ / ₈	63	110	48.8	5470	5470	5470	5220	3740	2670	1910	M30-M64	
PC3-450-8-490	457.2	18	48	52	460	18 ¹ / ₈	72	130	57.8	8210	8210	7750	6540	4690	3350	2400	M42-M80	
PC3-450-9-490	457.2	18	56	58	480	18 ¹ / ₈	84	140	78.7	10000	10000	10000	9870	7410	5450	3850	M42-M80	
PC3-450-10-490	457.2	18	64	65	500	19 ¹ / ₁₆	96	160	92.8	13890	13890	13350	11390	8550	6280	4440	M42-M80	
PC3-450-11-490	457.2	18	72	69	540	21 ¹ / ₄	108	180	147.3	23130	23130	23130	22490	18280	14050	9820	M42-M80	
PC3-450-2-530	457.2	18	16	17	460	18 ¹ / ₈	24	70	13.4	800	800	800	800	560	400	290	M8-M16	
PC3-450-3-530	457.2	18	20	20	460	18 ¹ / ₈	30	80	19.5	1320	1320	1320	1320	980	690	490	M12-M24	
PC3-450-4-530	457.2	18	24	25	460	18 ¹ / ₈	36	100	24.5	1770	1770	1770	1770	1240	870	620	M12-M36	
PC3-450-5-530	457.2	18	30	29	460	18 ¹ / ₈	45	100	33.5	3050	3050	3050	3050	2210	1530	1110	M12-M36	
PC3-450-6-530	457.2	18	36	41	460	18 ¹ / ₈	54	90	38.5	3810	3810	3810	3810	3360	2400	1720	M20-M64	
PC3-450-7-530	457.2	18	42	45	460	18 ¹ / ₈	63	120	53.0	5470	5470	5470	5470	4080	2910	2090	M30-M64	
PC3-450-8-530	457.2	18	48	52	460	18 ¹ / ₈	72	120	64.0	9370	9370	9370	8760	6570	4830	3410	M42-M80	
PC3-450-9-530	457.2	18	56	58	480	18 ¹ / ₈	84	140	78.7	10000	10000	10000	9870	7410	5450	3850	M42-M80	
PC3-450-10-530	457.2	18	64	65	520	20 ¹ / ₂	96	160	125.0	16240	16240	16240	16240	16240	12840	8970	M42-M80	
PC3-450-11-530	457.2	18	72	69	540	21 ¹ / ₄	108	180	147.3	23130	23130	23130	22490	18280	14050	9820	M42-M80	
PC3-450-2-560	457.2	18	16	17	480	18 ⁷ / ₈	24	70	13.7	800	800	800	800	660	520	410	M8-M16	
PC3-450-3-560	457.2	18	20	20	480	18 ⁷ / ₈	30	80	19.9	1320	1320	1320	1320	1120	890	700	M12-M24	
PC3-450-4-560	457.2	18	24	25	480	18 ⁷ / ₈	36	100	33.2	1830	1830	1830	1830	1830	1830	1650	M12-M36	
PC3-450-5-560	457.2	18	30	29	480	18 ⁷ / ₈	45	100	34.1	3050	3050	3050	3050	2460	1940	1550	M12-M36	
PC3-450-6-560	457.2	18	36	41	480	18 ⁷ / ₈	54	90	39.2	3810	3810	3810	3810	3650	2920	2330	M20-M64	
PC3-450-7-560	457.2	18	42	45	480	18 ⁷ / ₈	63	110	59.1	5470	5470	5470	5470	5470	5130	4080	M30-M64	
PC3-450-8-560	457.2	18	48	52	480	18 ⁷ / ₈	72	130	70.4	9370	9370	9370	9370	7590	6130	4860	M42-M80	
PC3-450-9-560	457.2	18	56	58	500	19 ¹¹ / ₁₆	84	140	106.2	10000	10000	10000	10000	10000	10000	9730	M42-M80	
PC3-450-10-560	457.2	18	64	65	520	20 ¹ / ₂	96	160	125.0	16240	16240	16240	16240	16240	14160	11220	M42-M80	
PC3-450-11-560	457.2	18	72	69	540	21 ¹ / ₄	108	180	147.3	23130	23130	23130	22740	18890	15500	12280	M42-M80	
PC3-450-2-600	457.2	18	16	17	480	18 ⁷ / ₈	24	80	19.5	800	800	800	800	800	770	680	M8-M16	
PC3-450-3-600	457.2	18	20	20	480	18 ⁷ / ₈	30	100	33.1	1320	1320	1320	1320	1320	1320	1320	M12-M24	
PC3-450-4-600	457.2	18	24	25	480	18 ⁷ / ₈	36	100	33.2	1830	1830	1830	1830	1830	1830	1830	1650	M12-M36
PC3-450-5-600	457.2	18	30	29	480	18 ⁷ / ₈	45	90	38.4	3050	3050	3050	3050	3050	2870	2280	M12-M36	
PC3-450-6-600	457.2	18	36	41	480	18 ⁷ / ₈	54	100	51.6	3810	3810	3810	3810	3810	3810	3810	M20-M64	
PC3-450-7-600	457.2	18	42	45	480	18 ⁷ / ₈	63	140	73.3	5470	5470	5470	5470	5470	5470	5440	M30-M64	
PC3-450-8-600	457.2	18	48	52	480	18 ⁷ / ₈	72	120	86.8	10410	10410	10410	10410	10410	10410	8580	M42-M80	
PC3-450-9-600	457.2	18	56	58	490	19 ⁹ / ₁₆	84	140	103.4	10000	10000	10000	10000	10000	10000	10000	M42-M80	
PC3-450-10-600	457.2	18	64	65	520	20 ¹ / ₂	96	200	154.7	16240	16240	16240	16240	16240	16240	14020	M42-M80	
PC3-450-11-600	457.2	18	72	69	550	21 ⁵ / ₈	108	180	184.5	24610	24610	24610	24610	24610	24610	21700	M42-M80	

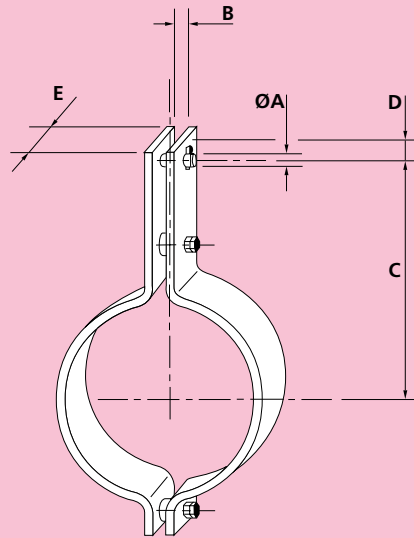
PC3 PIPE CLAMP THREE BOLT TYPE



Material: Carbon Steel to 400°C Alloy Steel above 400°C

Part Number	Pipe O/D		A	B	C		D	E	Weight	Load Capacity (kgf) at Temperature C							Compatible with Rod Sizes
	mm	in			mm	in				mm	in	350	400	490	530	560	
PC3-500-2-400	508.0	20	16	17	470	18 ¹ / ₂	24	60	12.4	800	800						M8-M16
PC3-500-3-400	508.0	20	20	20	470	18 ¹ / ₂	30	55	14.6	1200	1130						M12-M24
PC3-500-4-400	508.0	20	24	25	470	18 ¹ / ₂	36	65	23.0	1750	1750						M12-M36
PC3-500-5-400	508.0	20	30	29	470	18 ¹ / ₂	45	90	32.5	2660	2660						M12-M36
PC3-500-6-400	508.0	20	36	41	470	18 ¹ / ₂	54	110	40.8	3810	3680						M20-M64
PC3-500-7-400	508.0	20	42	45	470	18 ¹ / ₂	63	110	52.7	5470	5470						M30-M64
PC3-500-8-400	508.0	20	48	52	470	18 ¹ / ₂	72	150	71.7	7580	7580						M42-M80
PC3-500-9-400	508.0	20	56	58	520	20 ¹ / ₂	84	150	92.7	10000	10000						M42-M80
PC3-500-10-400	508.0	20	64	65	560	22 ¹ / ₁₆	96	180	155.9	17240	17240						M42-M80
PC3-500-11-400	508.0	20	72	69	580	22 ¹ / ₁₆	108	180	164.7	21590	21390						M42-M80
PC3-500-12-400	508.0	20	80	77	590	23 ¹ / ₄	120	200	186.3	24240	24020						M72-M80
PC3-500-2-490	508.0	20	16	17	480	18 ⁷ / ₈	24	50	8.6	610	610	540	420	270	190	140	M8-M16
PC3-500-3-490	508.0	20	20	20	480	18 ⁷ / ₈	30	80	16.8	1230	1230	1120	880	580	410	290	M12-M24
PC3-500-4-490	508.0	20	24	25	480	18 ⁷ / ₈	36	80	21.0	1640	1640	1640	1450	970	680	480	M12-M36
PC3-500-5-490	508.0	20	30	29	480	18 ⁷ / ₈	45	100	35.8	2960	2960	2960	2960	2140	1490	1080	M12-M36
PC3-500-6-490	508.0	20	36	41	480	18 ⁷ / ₈	54	110	40.3	3810	3810	3810	3280	2260	1570	1140	M20-M64
PC3-500-7-490	508.0	20	42	45	480	18 ⁷ / ₈	63	110	51.9	5470	5470	5470	4960	3590	2580	1840	M30-M64
PC3-500-8-490	508.0	20	48	52	480	18 ⁷ / ₈	72	140	66.3	7940	7940	7530	6370	4620	3320	2370	M42-M80
PC3-500-9-490	508.0	20	56	58	510	20 ¹ / ₁₆	84	140	84.5	10000	10000	10000	8980	6810	5030	3550	M42-M80
PC3-500-10-490	508.0	20	64	65	540	21 ¹ / ₄	96	160	132.1	14900	14900	14900	14900	14900	12310	8670	M42-M80
PC3-500-11-490	508.0	20	72	69	560	22 ¹ / ₁₆	108	180	155.3	21190	21190	21190	21190	17410	13440	9470	M42-M80
PC3-500-12-490	508.0	20	80	77	570	22 ⁷ / ₁₆	120	200	179.0	26440	26440	25930	23080	18920	14600	10290	M72-M80
PC3-500-2-530	508.0	20	16	17	480	18 ⁷ / ₈	24	70	14.4	760	760	760	760	550	390	280	M8-M16
PC3-500-3-530	508.0	20	20	20	480	18 ⁷ / ₈	30	80	20.9	1320	1320	1320	1320	960	670	470	M12-M24
PC3-500-4-530	508.0	20	24	25	480	18 ⁷ / ₈	36	100	26.2	1640	1640	1640	1640	1210	840	600	M12-M36
PC3-500-5-530	508.0	20	30	29	480	18 ⁷ / ₈	45	100	35.8	2960	2960	2960	2960	2140	1490	1080	M12-M36
PC3-500-6-530	508.0	20	36	41	480	18 ⁷ / ₈	54	90	41.3	3810	3810	3810	3810	3070	2210	1580	M20-M64
PC3-500-7-530	508.0	20	42	45	480	18 ⁷ / ₈	63	120	56.4	5470	5470	5470	5410	3920	2820	2010	M30-M64
PC3-500-8-530	508.0	20	48	52	480	18 ⁷ / ₈	72	120	68.4	8900	8900	8900	7950	6030	4460	3140	M42-M80
PC3-500-9-530	508.0	20	56	58	510	20 ¹ / ₁₆	84	160	95.9	10000	10000	10000	10000	7780	5750	4050	M42-M80
PC3-500-10-530	508.0	20	64	65	540	21 ¹ / ₄	96	160	132.1	14900	14900	14900	14900	14900	12310	8670	M42-M80
PC3-500-11-530	508.0	20	72	69	560	22 ¹ / ₁₆	108	180	155.3	21190	21190	21190	21190	17410	13440	9470	M42-M80
PC3-500-12-530	508.0	20	80	77	570	22 ⁷ / ₁₆	120	200	179.0	26440	26440	25930	23080	18920	14600	10290	M72-M80
PC3-500-2-560	508.0	20	16	17	510	20 ¹ / ₁₆	24	70	14.8	760	760	760	760	640	510	400	M8-M16
PC3-500-3-560	508.0	20	20	20	510	20 ¹ / ₁₆	30	80	21.5	1320	1320	1320	1320	1090	860	680	M12-M24
PC3-500-4-560	508.0	20	24	25	510	20 ¹ / ₁₆	36	100	36.0	1830	1830	1830	1830	1830	1830	1490	M12-M36
PC3-500-5-560	508.0	20	30	29	510	20 ¹ / ₁₆	45	100	36.7	2960	2960	2960	2960	2370	1870	1500	M12-M36
PC3-500-6-560	508.0	20	36	41	510	20 ¹ / ₁₆	54	100	46.9	3810	3810	3810	3810	3690	2950	2350	M20-M64
PC3-500-7-560	508.0	20	42	45	510	20 ¹ / ₁₆	63	110	63.6	5470	5470	5470	5470	5470	4700	3730	M30-M64
PC3-500-8-560	508.0	20	48	52	510	20 ¹ / ₁₆	72	140	81.3	8900	8900	8900	8900	7470	6040	4790	M42-M80
PC3-500-9-560	508.0	20	56	58	520	20 ¹ / ₂	84	140	112.5	10000	10000	10000	10000	10000	10000	9310	M42-M80
PC3-500-10-560	508.0	20	64	65	540	21 ¹ / ₄	96	160	132.1	14900	14900	14900	14900	14900	13500	10730	M42-M80
PC3-500-11-560	508.0	20	72	69	560	22 ¹ / ₁₆	108	190	163.5	21190	21190	21190	21190	18920	15560	12370	M42-M80
PC3-500-12-560	508.0	20	80	77	570	22 ⁷ / ₁₆	120	240	212.4	29180	29180	29180	28000	23380	19220	15280	M72-M80
PC3-500-2-600	508.0	20	16	17	510	20 ¹ / ₁₆	24	80	21.1	800	800	800	800	800	790	680	M8-M16
PC3-500-3-600	508.0	20	20	20	510	20 ¹ / ₁₆	30	100	35.9	1320	1320	1320	1320	1320	1320	1320	M12-M24
PC3-500-4-600	508.0	20	24	25	510	20 ¹ / ₁₆	36	110	39.6	1830	1830	1830	1830	1830	1830	1640	M12-M36
PC3-500-5-600	508.0	20	30	29	510	20 ¹ / ₁₆	45	100	45.9	3050	3050	3050	3050	3050	3050	2440	M12-M36
PC3-500-6-600	508.0	20	36	41	510	20 ¹ / ₁₆	54	110	61.7	3810	3810	3810	3810	3810	3810	3810	M20-M64
PC3-500-7-600	508.0	20	42	45	510	20 ¹ / ₁₆	63	160	91.5	5470	5470	5470	5470	5470	5470	5430	M30-M64
PC3-500-8-600	508.0	20	48	52	510	20 ¹ / ₁₆	72	120	93.3	9830	9830	9830	9830	9830	9830	9830	M42-M80
PC3-500-9-600	508.0	20	56	58	520	20 ¹ / ₂	84	140	110.6	9760	9760	9760	9760	9760	9760	9670	M42-M80
PC3-500-10-600	508.0	20	64	65	540	21 ¹ / ₄	96	200	163.6	14900	14900	14900	14900	14900	14900	13410	M42-M80
PC3-500-11-600	508.0	20	72	69	580	22 ¹ / ₁₆	108	180	196.7	23020	23020	23020	23020	23020	23020	20110	M42-M80
PC3-500-12-600	508.0	20	80	77	580	22 ¹ / ₁₆	120	200	220.2	23080	23080	23080	23080	23080	23080	23080	M72-M80

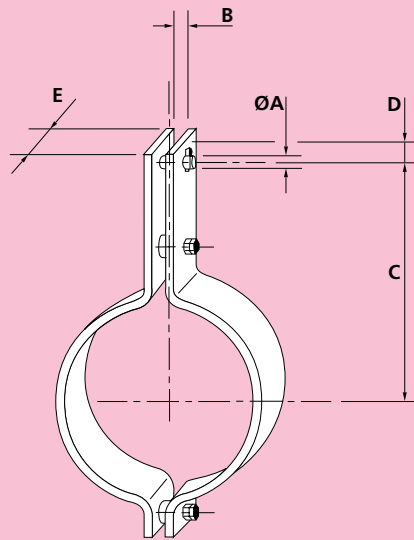
PC3 PIPE CLAMP THREE BOLT TYPE



Material: Carbon Steel to 400°C Alloy Steel above 400°C

Part Number	Pipe O/D		A	B	C		D	E	Weight	Load Capacity (kgf) at Temperature C							Compatible with Rod Sizes	
	mm	in			mm	in				mm	in	350	400	490	530	560		580
PC3-550-3-400	558.8	22	20	20	500	19 ¹¹ / ₁₆	30	55	15.7	1130	1060						M12-M24	
PC3-550-4-400	558.8	22	24	25	500	19 ¹¹ / ₁₆	36	65	24.6	1650	1650						M12-M36	
PC3-550-5-400	558.8	22	30	29	500	19 ¹¹ / ₁₆	45	90	34.8	2510	2510						M12-M36	
PC3-550-6-400	558.8	22	36	41	500	19 ¹¹ / ₁₆	54	110	54.3	3810	3810						M20-M64	
PC3-550-7-400	558.8	22	42	45	500	19 ¹¹ / ₁₆	63	130	65.9	5470	5470						M30-M64	
PC3-550-8-400	558.8	22	48	52	520	20 ¹ / ₂	72	150	94.7	10160	9870						M42-M80	
PC3-550-9-400	558.8	22	56	58	550	21 ⁵ / ₈	84	150	98.5	10000	9950						M42-M80	
PC3-550-10-400	558.8	22	64	65	590	23 ¹ / ₄	96	180	165.0	16090	16090						M42-M80	
PC3-550-11-400	558.8	22	72	69	610	24	108	180	173.9	20280	20090						M42-M80	
PC3-550-12-400	558.8	22	80	77	620	24 ⁷ / ₁₆	120	220	214.8	23470	23470						M72-M80	
PC3-550-13-400	558.8	22	80	85	640	25 ³ / ₁₆	120	200	252.3	30830	30830						M72-M80	
PC3-550-3-490	558.8	22	20	20	510	20 ¹ / ₁₆	30	80	18.0	1170	1170	1050	820	540	380	270	M12-M24	
PC3-550-4-490	558.8	22	24	25	510	20 ¹ / ₁₆	36	100	28.5	1830	1830	1830	1560	1040	730	520	M12-M36	
PC3-550-5-490	558.8	22	30	29	510	20 ¹ / ₁₆	45	100	38.4	2790	2790	2790	2790	2000	1380	1000	M12-M36	
PC3-550-6-490	558.8	22	36	41	510	20 ¹ / ₁₆	54	110	43.1	3810	3810	3690	3070	2100	1460	1060	M20-M64	
PC3-550-7-490	558.8	22	42	45	510	20 ¹ / ₁₆	63	110	55.5	5470	5470	5470	4650	3340	2400	1710	M30-M64	
PC3-550-8-490	558.8	22	48	52	510	20 ¹ / ₁₆	72	120	73.0	8340	8340	8340	7460	5620	4140	2920	M42-M80	
PC3-550-9-490	558.8	22	56	58	530	20 ⁷ / ₈	84	140	89.2	10000	10000	9850	8420	6340	4670	3290	M42-M80	
PC3-550-10-490	558.8	22	64	65	580	22 ¹³ / ₁₆	96	160	144.1	19620	19620	19210	17050	13900	10700	7500	M42-M80	
PC3-550-11-490	558.8	22	72	69	590	23 ¹ / ₄	108	180	165.0	20230	20230	20230	19270	15700	12090	8470	M42-M80	
PC3-550-12-490	558.8	22	80	77	600	23 ⁹ / ₈	120	200	189.8	24110	24110	23610	20960	17080	13150	9210	M72-M80	
PC3-550-13-490	558.8	22	80	85	630	24 ¹³ / ₁₆	120	200	244.6	30830	30830	30830	30830	29060	23400	17390	M72-M80	
PC3-550-3-530	558.8	22	20	20	510	20 ¹ / ₁₆	30	80	22.5	1320	1320	1320	1320	890	620	440	M12-M24	
PC3-550-4-530	558.8	22	24	25	510	20 ¹ / ₁₆	36	100	38.0	1830	1830	1830	1830	1830	1380	1000	M12-M36	
PC3-550-5-530	558.8	22	30	29	510	20 ¹ / ₁₆	45	100	38.4	2790	2790	2790	2790	2000	1380	1000	M12-M36	
PC3-550-6-530	558.8	22	36	41	510	20 ¹ / ₁₆	54	90	44.2	3810	3810	3810	3810	2860	2050	1470	M20-M64	
PC3-550-7-530	558.8	22	42	45	510	20 ¹ / ₁₆	63	130	65.1	5470	5470	5470	5470	3950	2830	2020	M30-M64	
PC3-550-8-530	558.8	22	48	52	510	20 ¹ / ₁₆	72	120	73.0	8340	8340	8340	7460	5620	4140	2920	M42-M80	
PC3-550-9-530	558.8	22	56	58	550	21 ⁵ / ₈	84	140	120.1	10000	10000	10000	10000	10000	9600	6730	M42-M80	
PC3-550-10-530	558.8	22	64	65	570	22 ⁷ / ₁₆	96	160	140.8	14260	14260	14260	14260	14260	11060	7750	M42-M80	
PC3-550-11-530	558.8	22	72	69	590	23 ¹ / ₄	108	180	165.0	20230	20230	20230	19270	15700	12090	8470	M42-M80	
PC3-550-12-530	558.8	22	80	77	600	23 ¹ / ₄	120	220	207.6	26520	26520	25970	23050	18790	14460	10140	M72-M80	
PC3-550-13-530	558.8	22	80	85	630	24 ¹³ / ₁₆	120	200	244.6	30830	30830	30830	30830	29060	23400	17390	M72-M80	
PC3-550-3-560	558.8	22	20	20	540	21 ¹ / ₄	30	80	23.0	1320	1320	1320	1320	1020	810	640	M12-M24	
PC3-550-4-560	558.8	22	24	25	540	21 ¹ / ₄	36	100	38.6	1770	1770	1770	1770	1770	1740	1390	M12-M36	
PC3-550-5-560	558.8	22	30	29	540	21 ¹ / ₄	45	110	43.2	2790	2790	2790	2790	2440	1930	1540	M12-M36	
PC3-550-6-560	558.8	22	36	41	540	21 ¹ / ₄	54	110	55.0	3810	3810	3810	3810	3790	3030	2420	M20-M64	
PC3-550-7-560	558.8	22	42	45	540	21 ¹ / ₄	63	110	67.9	5470	5470	5470	5470	5470	5430	4390	3490	M30-M64
PC3-550-8-560	558.8	22	48	52	540	21 ¹ / ₄	72	150	92.7	8340	8340	8340	8340	7480	6040	4800	M42-M80	
PC3-550-9-560	558.8	22	56	58	550	21 ⁵ / ₈	84	140	120.1	10000	10000	10000	10000	10000	10000	8380	M42-M80	
PC3-550-10-560	558.8	22	64	65	570	22 ⁷ / ₁₆	96	160	140.8	14260	14260	14260	14260	14260	12170	9650	M42-M80	
PC3-550-11-560	558.8	22	72	69	590	23 ¹ / ₄	108	200	182.4	20230	20230	20230	20230	18010	14790	11730	M42-M80	
PC3-550-12-560	558.8	22	80	77	620	24 ⁷ / ₁₆	120	200	238.5	29380	29380	29380	29380	29380	25210	20440	M72-M80	
PC3-550-13-560	558.8	22	80	85	630	24 ¹³ / ₁₆	120	200	244.6	30830	30830	30830	30830	29410	24760	20070	M72-M80	
PC3-550-3-600	558.8	22	20	20	540	21 ¹ / ₄	30	100	38.4	1320	1320	1320	1320	1320	1320	1320	M12-M24	
PC3-550-4-600	558.8	22	24	25	540	21 ¹ / ₄	36	90	43.5	1830	1830	1830	1830	1830	1830	1830	M12-M36	
PC3-550-5-600	558.8	22	30	29	540	21 ¹ / ₄	45	100	49.1	3000	3000	3000	3000	3000	3000	2870	2290	M12-M36
PC3-550-6-600	558.8	22	36	41	540	21 ¹ / ₄	54	120	71.8	3810	3810	3810	3810	3810	3810	3810	M20-M64	
PC3-550-7-600	558.8	22	42	45	540	21 ¹ / ₄	63	120	98.5	5470	5470	5470	5470	5470	5470	5470	M30-M64	
PC3-550-8-600	558.8	22	48	52	540	21 ¹ / ₄	72	130	107.5	9210	9210	9210	9210	9210	9210	9210	M42-M80	
PC3-550-9-600	558.8	22	56	58	550	21 ⁵ / ₈	84	170	144.8	10000	10000	10000	10000	10000	10000	10000	M42-M80	
PC3-550-10-600	558.8	22	64	65	590	23 ¹ / ₄	96	180	199.3	15150	15150	15150	15150	15150	15150	15150	M42-M80	
PC3-550-11-600	558.8	22	72	69	610	24	108	180	208.0	21450	21450	21450	21450	21450	21450	21450	M42-M80	
PC3-550-12-600	558.8	22	80	77	620	24 ⁷ / ₁₆	120	230	272.5	29380	29380	29380	29380	29380	29000	23500	M72-M80	
PC3-550-13-600	558.8	22	80	85	620	24 ⁷ / ₁₆	120	280	328.5	30030	30030	30030	30030	30030	30030	28840	M72-M80	

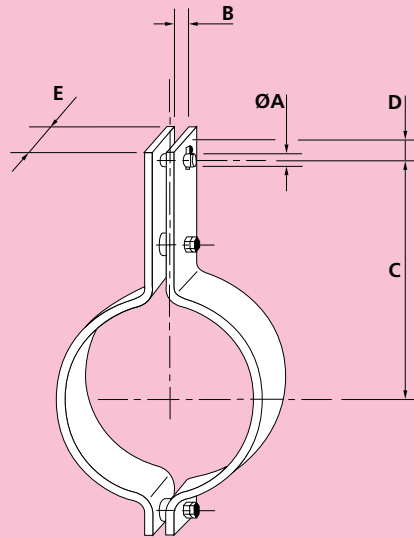
PC3 PIPE CLAMP THREE BOLT TYPE



Material: Carbon Steel to 400°C Alloy Steel above 400°C

Part Number	Pipe O/D		A	B	C		D	E	Weight	Load Capacity (kgf) at Temperature C							Compatible with Rod Sizes	
	mm	in			mm	in				mm	in	350	400	490	530	560		580
PC3-600-3-400	609.6	24	20	20	520	20 ¹ / ₂	30	65	26.1	1320	1320						M12-M24	
PC3-600-4-400	609.6	24	24	25	520	20 ¹ / ₂	36	65	26.3	1620	1620						M12-M36	
PC3-600-5-400	609.6	24	30	29	520	20 ¹ / ₂	45	90	36.9	2360	2360						M12-M36	
PC3-600-6-400	609.6	24	36	41	520	20 ¹ / ₂	54	110	57.7	3810	3810						M20-M64	
PC3-600-7-400	609.6	24	42	45	520	20 ¹ / ₂	63	130	69.9	5470	5470						M30-M64	
PC3-600-8-400	609.6	24	48	52	550	21 ⁵ / ₈	72	150	100.9	9320	9080						M42-M80	
PC3-600-9-400	609.6	24	56	58	600	23 ⁵ / ₈	84	150	140.6	10000	10000						M42-M80	
PC3-600-10-400	609.6	24	64	65	610	24	96	180	173.2	15020	15020						M42-M80	
PC3-600-11-400	609.6	24	72	69	640	25 ³ / ₁₆	108	180	183.8	18700	18540						M42-M80	
PC3-600-12-400	609.6	24	80	77	670	26 ³ / ₈	120	200	265.9	31290	31150						M72-M80	
PC3-600-13-400	609.6	24	80	85	670	26 ³ / ₈	120	200	265.8	30830	30830						M72-M80	
PC3-600-3-490	609.6	24	20	20	540	21 ¹ / ₄	30	80	19.3	1130	1130	1020	810	530	370	270	M12-M24	
PC3-600-4-490	609.6	24	24	25	540	21 ¹ / ₄	36	100	30.5	1830	1830	1830	1530	1020	710	510	M12-M36	
PC3-600-5-490	609.6	24	30	29	540	21 ¹ / ₄	45	100	41.2	2730	2730	2730	2650	1830	1280	930	M12-M36	
PC3-600-6-490	609.6	24	36	41	540	21 ¹ / ₄	54	90	47.1	3810	3810	3810	3810	2790	2010	1440	M20-M64	
PC3-600-7-490	609.6	24	42	45	540	21 ¹ / ₄	63	120	64.2	5470	5470	5470	4880	3550	2560	1830	M30-M64	
PC3-600-8-490	609.6	24	48	52	540	21 ¹ / ₄	72	120	79.4	7970	7970	7970	7690	6600	5020	3720	2620	M42-M80
PC3-600-9-490	609.6	24	56	58	560	22 ¹ / ₁₆	84	150	101.1	10000	10000	10000	8650	6580	4880	3430	M42-M80	
PC3-600-10-490	609.6	24	64	65	610	24	96	160	152.3	18660	18660	18310	16320	13410	10370	7330	M42-M80	
PC3-600-11-490	609.6	24	72	69	620	24 ⁷ / ₁₆	108	180	174.3	18880	18880	18880	18430	15160	11720	8280	M42-M80	
PC3-600-12-490	609.6	24	80	77	630	24 ¹³ / ₁₆	120	210	209.6	24030	24030	23570	21010	17280	13360	9440	M72-M80	
PC3-600-13-490	609.6	24	80	85	660	26	120	200	258.1	30830	30830	30830	30830	27050	22000	16440	M72-M80	
PC3-600-3-530	609.6	24	20	20	540	21 ¹ / ₄	30	80	24.1	1320	1320	1320	1210	810	570	400	M12-M24	
PC3-600-4-530	609.6	24	24	25	540	21 ¹ / ₄	36	100	40.8	1830	1830	1830	1830	1820	1270	920	M12-M36	
PC3-600-5-530	609.6	24	30	29	540	21 ¹ / ₄	45	100	41.2	2730	2730	2730	2650	1830	1280	930	M12-M36	
PC3-600-6-530	609.6	24	36	41	540	21 ¹ / ₄	54	90	47.1	3810	3810	3810	3810	2790	2010	1440	M20-M64	
PC3-600-7-530	609.6	24	42	45	540	21 ¹ / ₄	63	110	70.9	5470	5470	5470	5470	4750	3520	2480	M30-M64	
PC3-600-8-530	609.6	24	48	52	540	21 ¹ / ₄	72	130	84.0	7810	7810	7810	7770	5910	4380	3080	M42-M80	
PC3-600-9-530	609.6	24	56	58	580	22 ¹³ / ₁₆	84	140	127.3	10000	10000	10000	10000	10000	9320	6590	M42-M80	
PC3-600-10-530	609.6	24	64	65	610	24	96	160	152.3	18660	18660	18310	16320	13410	10370	7330	M42-M80	
PC3-600-11-530	609.6	24	72	69	620	24 ⁷ / ₁₆	108	180	174.3	18880	18880	18880	18430	15160	11720	8280	M42-M80	
PC3-600-12-530	609.6	24	80	77	630	24 ¹³ / ₁₆	120	240	237.8	25880	25880	25880	24020	19740	15260	10790	M72-M80	
PC3-600-13-530	609.6	24	80	85	660	26	120	200	258.1	30830	30830	30830	30830	27050	22000	16440	M72-M80	
PC3-600-3-560	609.6	24	20	20	560	22 ¹ / ₁₆	30	100	30.6	1320	1320	1320	1320	1150	910	720	M12-M24	
PC3-600-4-560	609.6	24	24	25	560	22 ¹ / ₁₆	36	100	40.9	1660	1660	1660	1660	1660	1650	1360	M12-M36	
PC3-600-5-560	609.6	24	30	29	560	22 ¹ / ₁₆	45	90	47.0	2920	2920	2920	2920	2920	2380	1890	M12-M36	
PC3-600-6-560	609.6	24	36	41	560	22 ¹ / ₁₆	54	110	58.2	3810	3810	3810	3810	3680	2950	2350	M20-M64	
PC3-600-7-560	609.6	24	42	45	560	22 ¹ / ₁₆	63	120	78.3	5470	5470	5470	5470	5470	4450	3530	M30-M64	
PC3-600-8-560	609.6	24	48	52	560	22 ¹ / ₁₆	72	160	104.2	7810	7810	7810	7810	7710	6250	4950	M42-M80	
PC3-600-9-560	609.6	24	56	58	580	22 ¹³ / ₁₆	84	140	127.3	10000	10000	10000	10000	10000	10000	8120	M42-M80	
PC3-600-10-560	609.6	24	64	65	610	24	96	160	152.3	18660	18660	18310	16500	13800	11350	9030	M42-M80	
PC3-600-11-560	609.6	24	72	69	620	24 ⁷ / ₁₆	108	210	201.9	18880	18880	18880	18880	18190	14960	11910	M42-M80	
PC3-600-12-560	609.6	24	80	77	650	25 ⁹ / ₁₆	120	200	252.0	27920	27920	27920	27920	27880	23610	19170	M72-M80	
PC3-600-13-560	609.6	24	80	85	660	26	120	210	270.3	30830	30830	30830	30830	28750	24340	19770	M72-M80	
PC3-600-3-600	609.6	24	20	20	560	22 ¹ / ₁₆	30	100	40.8	1320	1320	1320	1320	1320	1320	1320	M12-M24	
PC3-600-4-600	609.6	24	24	25	560	22 ¹ / ₁₆	36	90	46.1	1780	1780	1780	1780	1780	1780	1780	M12-M36	
PC3-600-5-600	609.6	24	30	29	560	22 ¹ / ₁₆	45	110	57.3	2920	2920	2920	2920	2920	2900	2310	M12-M36	
PC3-600-6-600	609.6	24	36	41	560	22 ¹ / ₁₆	54	120	76.0	3810	3810	3810	3810	3810	3810	3810	M20-M64	
PC3-600-7-600	609.6	24	42	45	560	22 ¹ / ₁₆	63	120	104.4	5470	5470	5470	5470	5470	5470	5470	M30-M64	
PC3-600-8-600	609.6	24	48	52	560	22 ¹ / ₁₆	72	130	113.5	8620	8620	8620	8620	8620	8620	7780	M42-M80	
PC3-600-9-600	609.6	24	56	58	580	22 ¹³ / ₁₆	84	170	153.6	10000	10000	10000	10000	10000	10000	9860	M42-M80	
PC3-600-10-600	609.6	24	64	65	630	24 ¹³ / ₁₆	96	180	215.8	20230	20230	20230	20230	20230	20230	17540	M42-M80	
PC3-600-11-600	609.6	24	72	69	640	25 ³ / ₁₆	108	190	232.0	20430	20430	20430	20430	20430	20430	18580	M42-M80	
PC3-600-12-600	609.6	24	80	77	650	25 ⁹ / ₁₆	120	250	312.0	27920	27920	27920	27920	27920	27920	23960	M72-M80	
PC3-600-13-600	609.6	24	80	85	660	26	120	300	379.8	30830	30830	30830	30830	30830	30830	28240	M72-M80	

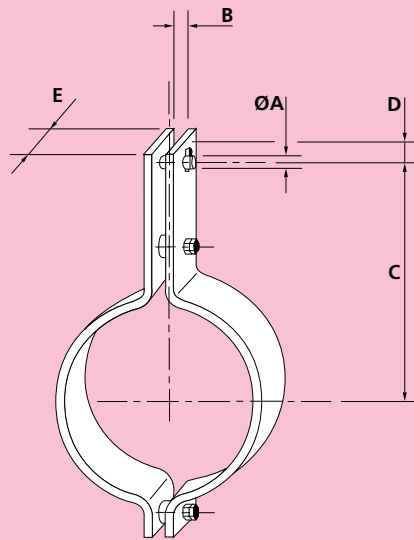
PC3 PIPE CLAMP THREE BOLT TYPE



Material: Carbon Steel to 400°C Alloy Steel above 400°C

Part Number	Pipe O/D		A	B	C		D	E	Weight	Load Capacity (kgf) at Temperature C							Compatible with Rod Sizes
	mm	in			mm	in				mm	mm	350	400	490	530	560	
PC3-650-3-400	660.4	26	20	20	560	22 ¹ / ₁₆	30	65	28.0	1320	1320						M12-M24
PC3-650-4-400	660.4	26	24	25	560	22 ¹ / ₁₆	36	65	28.6	1830	1820						M12-M36
PC3-650-5-400	660.4	26	30	29	560	22 ¹ / ₁₆	45	90	39.7	2340	2340						M12-M36
PC3-650-6-400	660.4	26	36	41	560	22 ¹ / ₁₆	54	110	61.7	3810	3810						M20-M64
PC3-650-7-400	660.4	26	42	45	560	22 ¹ / ₁₆	63	150	85.7	5470	5470						M30-M64
PC3-650-8-400	660.4	26	48	52	570	22 ⁷ / ₁₆	72	150	106.0	8870	8620						M42-M80
PC3-650-9-400	660.4	26	56	58	620	24 ⁷ / ₁₆	84	150	147.4	10000	10000						M42-M80
PC3-650-10-400	660.4	26	64	65	640	25 ³ / ₁₆	96	180	183.0	14530	14530						M42-M80
PC3-650-11-400	660.4	26	72	69	660	26	108	200	211.9	19740	19550						M42-M80
PC3-650-12-400	660.4	26	80	77	700	27 ⁹ / ₁₆	120	200	278.6	29700	29560						M72-M80
PC3-650-13-400	660.4	26	80	85	700	27 ⁹ / ₁₆	120	200	278.4	29940	29800						M72-M80
PC3-650-3-490	660.4	26	20	20	590	23 ¹ / ₄	30	80	26.1	1320	1320	1320	1140	760	530	380	M12-M24
PC3-650-4-490	660.4	26	24	25	590	23 ¹ / ₄	36	100	33.0	1830	1830	1800	1440	960	670	480	M12-M36
PC3-650-5-490	660.4	26	30	29	590	23 ¹ / ₄	45	100	44.4	2600	2600	2600	2520	1730	1200	870	M12-M36
PC3-650-6-490	660.4	26	36	41	590	23 ¹ / ₄	54	90	50.8	3810	3810	3810	3640	2630	1890	1350	M20-M64
PC3-650-7-490	660.4	26	42	45	590	23 ¹ / ₄	63	130	74.9	5470	5470	5470	4780	3450	2480	1770	M30-M64
PC3-650-8-490	660.4	26	48	52	590	23 ¹ / ₄	72	130	92.0	8220	8220	7910	6770	5120	3780	2660	M42-M80
PC3-650-9-490	660.4	26	56	58	590	23 ¹ / ₄	84	160	114.1	10000	10000	9810	8400	6340	4680	3300	M42-M80
PC3-650-10-490	660.4	26	64	65	640	25 ³ / ₁₆	96	160	161.1	17180	17180	16840	14960	12230	9430	6630	M42-M80
PC3-650-11-490	660.4	26	72	69	650	25 ³ / ₁₆	108	180	186.9	18830	18830	18450	16400	13400	10330	7260	M42-M80
PC3-650-12-490	660.4	26	80	77	650	25 ³ / ₁₆	120	220	228.8	23920	23920	23440	20830	17030	13130	9230	M72-M80
PC3-650-13-490	660.4	26	80	85	690	27 ³ / ₁₆	120	200	270.7	30830	30830	30830	29420	25570	20660	15380	M72-M80
PC3-650-3-530	660.4	26	20	20	590	23 ¹ / ₄	30	80	26.1	1320	1320	1320	1140	760	530	380	M12-M24
PC3-650-4-530	660.4	26	24	25	590	23 ¹ / ₄	36	100	43.5	1580	1580	1580	1580	1580	1270	920	M12-M36
PC3-650-5-530	660.4	26	30	29	590	23 ¹ / ₄	45	100	44.4	2600	2600	2600	2520	1730	1200	870	M12-M36
PC3-650-6-530	660.4	26	36	41	590	23 ¹ / ₄	54	100	56.3	3810	3810	3810	3810	2920	2100	1500	M20-M64
PC3-650-7-530	660.4	26	42	45	590	23 ¹ / ₄	63	110	76.2	5470	5470	5470	5470	4470	3300	2330	M30-M64
PC3-650-8-530	660.4	26	48	52	590	23 ¹ / ₄	72	140	97.3	7630	7630	7630	7600	5740	4240	2990	M42-M80
PC3-650-9-530	660.4	26	56	58	610	24	84	140	135.0	10000	10000	10000	10000	10000	8460	5950	M42-M80
PC3-650-10-530	660.4	26	64	65	640	25 ³ / ₁₆	96	160	161.1	17180	17180	16840	14960	12230	9430	6630	M42-M80
PC3-650-11-530	660.4	26	72	69	650	25 ³ / ₁₆	108	200	206.6	20920	20920	20500	18220	14890	11480	8070	M42-M80
PC3-650-12-530	660.4	26	80	77	670	26 ³ / ₁₆	120	200	263.2	26340	26340	26340	26340	26070	21070	15680	M72-M80
PC3-650-13-530	660.4	26	80	85	690	27 ³ / ₁₆	120	200	270.7	30830	30830	30830	29420	25570	20660	15380	M72-M80
PC3-650-3-560	660.4	26	20	20	610	24	30	100	33.0	1320	1320	1320	1320	1090	860	680	M12-M24
PC3-650-4-560	660.4	26	24	25	610	24	36	100	44.2	1580	1580	1580	1580	1580	1580	1280	M12-M36
PC3-650-5-560	660.4	26	30	29	610	24	45	90	50.7	2780	2780	2780	2780	2780	2240	1790	M12-M36
PC3-650-6-560	660.4	26	36	41	610	24	54	120	68.2	3810	3810	3810	3810	3790	3040	2420	M20-M64
PC3-650-7-560	660.4	26	42	45	610	24	63	130	90.9	5470	5470	5470	5470	5470	4540	3600	M30-M64
PC3-650-8-560	660.4	26	48	52	610	24	72	120	113.0	8380	8380	8380	8380	8380	8210	6520	M42-M80
PC3-650-9-560	660.4	26	56	58	610	24	84	140	135.0	10000	10000	10000	10000	10000	9300	7380	M42-M80
PC3-650-10-560	660.4	26	64	65	640	25 ³ / ₁₆	96	170	170.7	18090	18090	17890	16080	13400	11010	8740	M42-M80
PC3-650-11-560	660.4	26	72	69	670	26 ³ / ₁₆	108	180	234.7	25850	25850	25850	25850	23580	19890	16130	M42-M80
PC3-650-12-560	660.4	26	80	77	670	26 ³ / ₁₆	120	200	263.2	26340	26340	26340	26340	26340	22260	18050	M72-M80
PC3-650-13-560	660.4	26	80	85	690	27 ³ / ₁₆	120	220	296.3	30830	30830	30830	30830	28470	24020	19480	M72-M80
PC3-650-3-600	660.4	26	20	20	610	24	30	100	44.0	1320	1320	1320	1320	1320	1320	1270	M12-M24
PC3-650-4-600	660.4	26	24	25	610	24	36	90	49.8	1700	1700	1700	1700	1700	1700	1700	M12-M36
PC3-650-5-600	660.4	26	30	29	610	24	45	120	67.3	2780	2780	2780	2780	2780	2780	2380	M12-M36
PC3-650-6-600	660.4	26	36	41	610	24	54	130	88.8	3810	3810	3810	3810	3810	3810	3750	M20-M64
PC3-650-7-600	660.4	26	42	45	610	24	63	120	112.0	5470	5470	5470	5470	5470	5470	5470	M30-M64
PC3-650-8-600	660.4	26	48	52	610	24	72	140	131.3	8380	8380	8380	8380	8380	8380	7600	M42-M80
PC3-650-9-600	660.4	26	56	58	610	24	84	190	181.5	10000	10000	10000	10000	10000	10000	10000	M42-M80
PC3-650-10-600	660.4	26	64	65	650	25 ³ / ₁₆	96	180	225.8	19130	19130	19130	19130	19130	19130	16540	M42-M80
PC3-650-11-600	660.4	26	72	69	660	26	108	200	254.8	19310	19310	19310	19310	19310	19310	18440	M42-M80
PC3-650-12-600	660.4	26	80	77	670	26 ³ / ₁₆	120	260	338.5	26340	26340	26340	26340	26340	26340	23470	M72-M80
PC3-650-13-600	660.4	26	80	85	690	27 ³ / ₁₆	120	320	424.3	30830	30830	30830	30830	30830	30830	28330	M72-M80

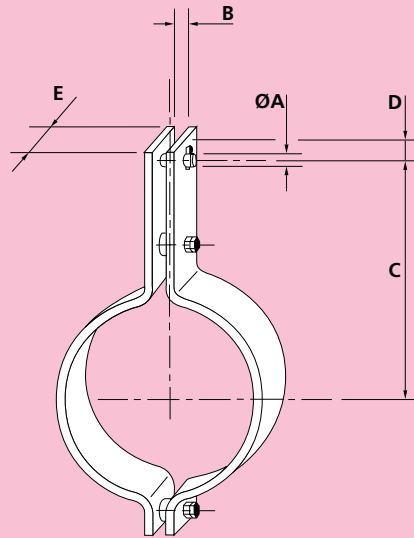
PC3 PIPE CLAMP THREE BOLT TYPE



Material: Carbon Steel to 400°C Alloy Steel above 400°C

Part Number	Pipe O/D		A	B	C		D	E	Weight	Load Capacity (kgf) at Temperature C							Compatible with Rod Sizes	
	mm	in			mm	in				mm	in	350	400	490	530	560		580
PC3-700-3-400	711.2	28	20	20	590	23 ¹ / ₄	30	65	29.7	1320	1320						M12-M24	
PC3-700-4-400	711.2	28	24	25	590	23 ¹ / ₄	36	65	30.2	1830	1740						M12-M36	
PC3-700-5-400	711.2	28	30	29	590	23 ¹ / ₄	45	90	42.8	2420	2300						M12-M36	
PC3-700-6-400	711.2	28	36	41	590	23 ¹ / ₄	54	110	65.3	3810	3810						M20-M64	
PC3-700-7-400	711.2	28	42	45	590	23 ¹ / ₄	63	150	90.6	5470	5470						M30-M64	
PC3-700-8-400	711.2	28	48	52	600	23 ⁵ / ₈	72	150	111.8	8470	8220						M42-M80	
PC3-700-9-400	711.2	28	56	58	650	25 ⁹ / ₁₆	84	150	157.4	10000	10000						M42-M80	
PC3-700-10-400	711.2	28	64	65	670	26 ³ / ₈	96	180	192.2	13810	13810						M42-M80	
PC3-700-11-400	711.2	28	72	69	690	27 ³ / ₁₆	108	200	222.1	18830	18650						M42-M80	
PC3-700-12-400	711.2	28	80	77	730	28 ³ / ₄	120	200	292.1	27670	27530						M72-M80	
PC3-700-13-400	711.2	28	80	85	740	29 ¹ / ₈	120	220	327.3	30000	29850						M72-M80	
PC3-700-3-490	711.2	28	20	20	610	24	30	80	27.5	1320	1320	1320	1090	720	500	360	M12-M24	
PC3-700-4-490	711.2	28	24	25	610	24	36	100	34.8	1750	1750	1600	1270	850	590	420	M12-M36	
PC3-700-5-490	711.2	28	30	29	610	24	45	100	46.7	2490	2490	2490	2390	1630	1130	820	M12-M36	
PC3-700-6-490	711.2	28	36	41	610	24	54	90	53.5	3810	3810	3810	3290	2360	1680	1210	M20-M64	
PC3-700-7-490	711.2	28	42	45	610	24	63	130	78.6	5470	5470	5390	4550	3260	2330	1670	M30-M64	
PC3-700-8-490	711.2	28	48	52	610	24	72	130	96.4	7850	7850	7850	7550	6440	4830	3550	2510	M42-M80
PC3-700-9-490	711.2	28	56	58	630	24 ¹³ / ₁₆	84	140	141.2	10000	10000	10000	10000	10000	7980	5580	M42-M80	
PC3-700-10-490	711.2	28	64	65	660	26	96	160	168.2	16410	16410	16060	14230	11560	8890	6210	M42-M80	
PC3-700-11-490	711.2	28	72	69	680	26 ³ / ₄	108	190	206.4	18970	18970	18560	16450	13370	10270	7180	M42-M80	
PC3-700-12-490	711.2	28	80	77	680	26 ³ / ₄	120	240	261.5	23700	23700	23630	20940	17020	13080	9140	M72-M80	
PC3-700-13-490	711.2	28	80	85	720	28 ³ / ₈	120	200	284.2	30120	30120	29980	27280	23670	19000	14090	M72-M80	
PC3-700-3-530	711.2	28	20	20	610	24	30	80	27.5	1320	1320	1320	1090	720	500	360	M12-M24	
PC3-700-4-530	711.2	28	24	25	610	24	36	100	46.3	1830	1830	1830	1830	1620	1130	810	M12-M36	
PC3-700-5-530	711.2	28	30	29	610	24	45	100	46.7	2490	2490	2490	2390	1630	1130	820	M12-M36	
PC3-700-6-530	711.2	28	36	41	610	24	54	100	59.3	3810	3810	3810	3650	2620	1870	1340	M20-M64	
PC3-700-7-530	711.2	28	42	45	610	24	63	110	80.0	5470	5470	5470	5470	4230	3110	2200	M30-M64	
PC3-700-8-530	711.2	28	48	52	610	24	72	150	110.7	9060	9060	8710	7430	5580	4100	2900	M42-M80	
PC3-700-9-530	711.2	28	56	58	630	24 ¹³ / ₁₆	84	140	141.2	10000	10000	10000	10000	10000	7980	5580	M42-M80	
PC3-700-10-530	711.2	28	64	65	660	26	96	160	168.2	16410	16410	16060	14230	11560	8890	6210	M42-M80	
PC3-700-11-530	711.2	28	72	69	680	26 ³ / ₄	108	210	227.1	20960	20960	20510	18180	14770	11350	7940	M42-M80	
PC3-700-12-530	711.2	28	80	77	700	27 ⁹ / ₁₆	120	200	275.9	24990	24990	24990	24990	24770	19890	14750	M72-M80	
PC3-700-13-530	711.2	28	80	85	720	28 ³ / ₈	120	210	297.7	30830	30830	30830	28640	24850	19950	14790	M72-M80	
PC3-700-3-560	711.2	28	20	20	640	25 ³ / ₁₆	30	100	35.0	1320	1320	1320	1320	1030	820	640	M12-M24	
PC3-700-4-560	711.2	28	24	25	640	25 ³ / ₁₆	36	100	47.2	1830	1830	1830	1830	1800	1420	1140	M12-M36	
PC3-700-5-560	711.2	28	30	29	640	25 ³ / ₁₆	45	90	53.6	2660	2660	2660	2660	2660	2120	1690	M12-M36	
PC3-700-6-560	711.2	28	36	41	640	25 ³ / ₁₆	54	100	72.5	3810	3810	3810	3810	3810	3440	2730	M20-M64	
PC3-700-7-560	711.2	28	42	45	640	25 ³ / ₁₆	63	140	103.1	5470	5470	5470	5470	5470	4630	3680	M30-M64	
PC3-700-8-560	711.2	28	48	52	640	25 ³ / ₁₆	72	120	120.8	10910	10910	10910	10910	9140	7510	5940	M42-M80	
PC3-700-9-560	711.2	28	56	58	640	25 ³ / ₁₆	84	140	142.1	10000	10000	10000	10000	10000	8810	6980	M42-M80	
PC3-700-10-560	711.2	28	64	65	660	26	96	180	188.4	17200	17200	17200	16190	13440	11030	8740	M42-M80	
PC3-700-11-560	711.2	28	72	69	700	27 ⁹ / ₁₆	108	180	247.0	25030	25030	25030	25020	21810	18320	14840	M42-M80	
PC3-700-12-560	711.2	28	80	77	700	27 ⁹ / ₁₆	120	200	275.9	24990	24990	24990	24990	24990	21070	17070	M72-M80	
PC3-700-13-560	711.2	28	80	85	720	28 ³ / ₈	120	240	338.1	30830	30830	30830	30830	28750	24160	19570	M72-M80	
PC3-700-3-600	711.2	28	20	20	640	25 ³ / ₁₆	30	100	46.6	1320	1320	1320	1320	1320	1320	1210	M12-M24	
PC3-700-4-600	711.2	28	24	25	640	25 ³ / ₁₆	36	90	52.7	1630	1630	1630	1630	1630	1630	1620	M12-M36	
PC3-700-5-600	711.2	28	30	29	640	25 ³ / ₁₆	45	100	71.4	2830	2830	2830	2830	2830	2830	2830	M12-M36	
PC3-700-6-600	711.2	28	36	41	640	25 ³ / ₁₆	54	140	101.0	3810	3810	3810	3810	3810	3810	3810	M20-M64	
PC3-700-7-600	711.2	28	42	45	640	25 ³ / ₁₆	63	120	118.2	5470	5470	5470	5470	5470	5470	5470	M30-M64	
PC3-700-8-600	711.2	28	48	52	640	25 ³ / ₁₆	72	150	148.2	7980	7980	7980	7980	7980	7980	7700	M42-M80	
PC3-700-9-600	711.2	28	56	58	640	25 ³ / ₁₆	84	200	201.0	10000	10000	10000	10000	10000	10000	9970	M42-M80	
PC3-700-10-600	711.2	28	64	65	680	26 ³ / ₄	96	180	238.0	18540	18540	18540	18540	18540	18540	15200	M42-M80	
PC3-700-11-600	711.2	28	72	69	690	27 ³ / ₁₆	108	220	294.5	18710	18710	18710	18710	18710	18710	18640	M42-M80	
PC3-700-12-600	711.2	28	80	77	700	27 ⁹ / ₁₆	120	270	368.3	24990	24990	24990	24990	24990	24990	23040	M72-M80	
PC3-700-13-600	711.2	28	80	85	720	28 ³ / ₈	120	350	486.3	30830	30830	30830	30830	30830	30830	28530	M72-M80	

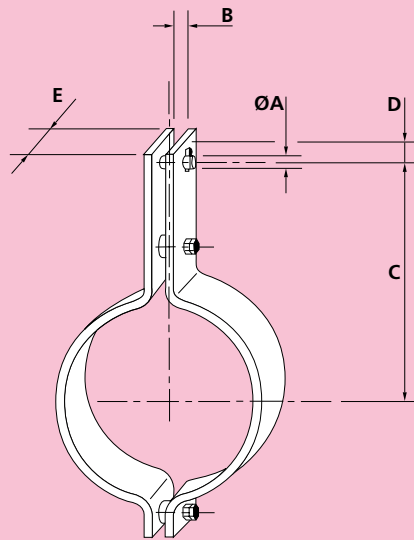
PC3 PIPE CLAMP THREE BOLT TYPE



Material: Carbon Steel to 400°C Alloy Steel above 400°C

Part Number	Pipe O/D		A	B	C		D	E	Weight	Load Capacity (kgf) at Temperature C						Compatible with Rod Sizes	
	mm	in			mm	in				mm	in	350	400	490	530		560
PC3-750-4-400	762	30	24	25	640	25 ³ / ₁₆	36	65	32.4	1780	1690						M12-M36
PC3-750-5-400	762	30	30	29	640	25 ³ / ₁₆	45	110	55.6	2870	2730						M12-M36
PC3-750-6-400	762	30	36	41	640	25 ³ / ₁₆	54	110	69.7	3810	3810						M20-M64
PC3-750-7-400	762	30	42	45	640	25 ³ / ₁₆	63	150	96.7	5470	5470						M30-M64
PC3-750-8-400	762	30	48	52	640	25 ³ / ₁₆	72	150	118.5	8160	7940						M42-M80
PC3-750-9-400	762	30	56	58	680	26 ³ / ₄	84	150	165.7	10000	10000						M42-M80
PC3-750-10-400	762	30	64	65	710	27 ¹⁵ / ₁₆	96	180	207.1	15770	15630						M42-M80
PC3-750-11-400	762	30	72	69	720	28 ³ / ₈	108	220	255.3	19030	19030						M42-M80
PC3-750-12-400	762	30	80	77	750	29 ¹ / ₂	120	200	303.4	26550	26430						M72-M80
PC3-750-13-400	762	30	80	85	750	29 ¹ / ₂	120	220	331.8	28280	28280						M72-M80
PC3-750-4-490	762	30	24	25	660	26	36	100	49.6	1830	1830	1830	1830	1610	1120	810	M12-M36
PC3-750-5-490	762	30	30	29	660	26	45	100	50.0	2370	2370	2370	2340	1620	1120	820	M12-M36
PC3-750-6-490	762	30	36	41	660	26	54	90	57.2	3810	3810	3790	3210	2320	1670	1190	M20-M64
PC3-750-7-490	762	30	42	45	660	26	63	110	85.4	5470	5470	5470	5470	4150	3070	2160	M30-M64
PC3-750-8-490	762	30	48	52	660	26	72	140	110.5	8160	8160	7860	6740	5110	3780	2660	M42-M80
PC3-750-9-490	762	30	56	58	660	26	84	140	148.5	10000	10000	10000	10000	10000	7850	5530	M42-M80
PC3-750-10-490	762	30	64	65	690	27 ³ / ₁₆	96	160	176.6	15800	15800	15490	13790	11300	8730	6150	M42-M80
PC3-750-11-490	762	30	72	69	700	27 ³ / ₁₆	108	200	226.0	19200	19200	18830	16760	13740	10610	7480	M42-M80
PC3-750-12-490	762	30	80	77	750	29 ¹ / ₂	120	200	298.2	28010	28010	27940	25480	22170	17970	13400	M72-M80
PC3-750-13-490	762	30	80	85	740	29 ¹ / ₈	120	200	295.6	28930	28930	28850	26310	22890	18560	13840	M72-M80
PC3-750-4-530	762	30	24	25	660	26	36	100	49.6	1830	1830	1830	1830	1610	1120	810	M12-M36
PC3-750-5-530	762	30	30	29	660	26	45	100	50.0	2370	2370	2370	2340	1620	1120	820	M12-M36
PC3-750-6-530	762	30	36	41	660	26	54	110	69.6	3810	3810	3810	3810	2840	2040	1460	M20-M64
PC3-750-7-530	762	30	42	45	660	26	63	110	85.4	5470	5470	5470	5470	4150	3070	2160	M30-M64
PC3-750-8-530	762	30	48	52	660	26	72	160	125.7	9320	9320	8980	7700	5840	4320	3040	M42-M80
PC3-750-9-530	762	30	56	58	660	26	84	140	148.5	10000	10000	10000	10000	10000	7850	5530	M42-M80
PC3-750-10-530	762	30	64	65	690	27 ³ / ₁₆	96	160	176.6	15800	15800	15490	13790	11300	8730	6150	M42-M80
PC3-750-11-530	762	30	72	69	700	27 ³ / ₁₆	108	220	247.6	21120	21120	20710	18440	15110	11670	8220	M42-M80
PC3-750-12-530	762	30	80	77	750	29 ¹ / ₂	120	200	298.2	28010	28010	27940	25480	22170	17970	13400	M72-M80
PC3-750-13-530	762	30	80	85	740	29 ¹ / ₈	120	220	323.6	30830	30830	30830	28940	25180	20410	15220	M72-M80
PC3-750-4-560	762	30	24	25	690	27 ³ / ₁₆	36	100	50.5	1830	1830	1830	1830	1780	1400	1120	M12-M36
PC3-750-5-560	762	30	30	29	690	27 ³ / ₁₆	45	90	57.3	2530	2530	2530	2530	2530	2090	1670	M12-M36
PC3-750-6-560	762	30	36	41	690	27 ³ / ₁₆	54	100	77.4	3810	3810	3810	3810	3810	3380	2680	M20-M64
PC3-750-7-560	762	30	42	45	690	27 ³ / ₁₆	63	140	110.0	5470	5470	5470	5470	5470	4540	3600	M30-M64
PC3-750-8-560	762	30	48	52	690	27 ³ / ₁₆	72	120	128.6	10910	10910	10910	10690	8920	7340	5830	M42-M80
PC3-750-9-560	762	30	56	58	690	27 ³ / ₁₆	84	140	151.2	10000	10000	10000	10000	10000	8610	6840	M42-M80
PC3-750-10-560	762	30	64	65	690	27 ³ / ₁₆	96	190	208.4	16320	16320	16320	16320	13820	11370	9030	M42-M80
PC3-750-11-560	762	30	72	69	720	28 ³ / ₈	108	180	257.2	23740	23740	23740	23740	21120	17850	14490	M42-M80
PC3-750-12-560	762	30	80	77	730	28 ³ / ₄	120	200	289.6	24140	24140	24140	24140	23630	19970	16210	M72-M80
PC3-750-13-560	762	30	80	85	740	29 ¹ / ₈	120	250	365.7	30830	30830	30830	30830	28960	24480	19870	M72-M80
PC3-750-4-600	762	30	24	25	690	27 ³ / ₁₆	36	90	56.5	1610	1610	1610	1610	1610	1610	1610	M12-M36
PC3-750-5-600	762	30	30	29	690	27 ³ / ₁₆	45	100	76.3	2690	2690	2690	2690	2690	2690	2690	M12-M36
PC3-750-6-600	762	30	36	41	690	27 ³ / ₁₆	54	140	107.8	3810	3810	3810	3810	3810	3810	3760	M20-M64
PC3-750-7-600	762	30	42	45	690	27 ³ / ₁₆	63	120	125.9	5470	5470	5470	5470	5470	5470	5470	M30-M64
PC3-750-8-600	762	30	48	52	690	27 ³ / ₁₆	72	150	157.9	7580	7580	7580	7580	7580	7580	7560	M42-M80
PC3-750-9-600	762	30	56	58	690	27 ³ / ₁₆	84	200	214.0	10000	10000	10000	10000	10000	10000	9770	M42-M80
PC3-750-10-600	762	30	64	65	710	27 ¹⁵ / ₁₆	96	180	249.7	17590	17590	17590	17590	17590	17590	14850	M42-M80
PC3-750-11-600	762	30	72	69	720	28 ³ / ₈	108	230	326.0	23740	23740	23740	23740	23740	22810	18510	M42-M80
PC3-750-12-600	762	30	80	77	730	28 ³ / ₄	120	290	414.5	24140	24140	24140	24140	24140	24140	23500	M72-M80

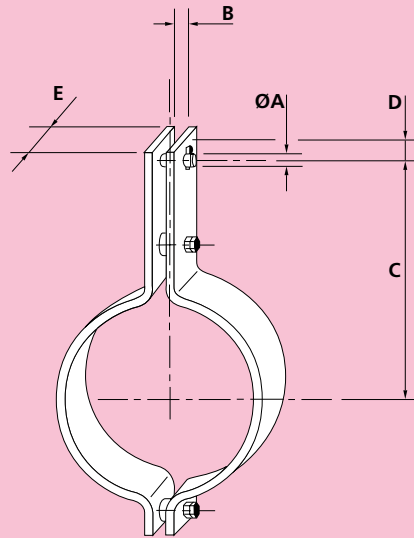
PC3 PIPE CLAMP THREE BOLT TYPE



Material: Carbon Steel to 400°C Alloy Steel above 400°C

Part Number	Pipe O/D		A	B	C		D	E	Weight	Load Capacity (kgf) at Temperature C							Compatible with Rod Sizes
	mm	in			mm	in				mm	in	350	400	490	530	560	
PC3-800-4-400	812.8	32	24	25	660	26	36	65	33.9	1730	1650						M12-M36
PC3-800-5-400	812.8	32	30	29	660	26	45	110	58.2	2790	2660						M12-M36
PC3-800-6-400	812.8	32	36	41	660	26	54	110	72.9	3650	3650						M20-M64
PC3-800-7-400	812.8	32	42	45	660	26	63	150	101.1	5470	5470						M30-M64
PC3-800-8-400	812.8	32	48	52	660	26	72	150	124.1	7610	7420						M42-M80
PC3-800-9-400	812.8	32	56	58	710	27 ¹⁵ / ₁₆	84	150	173.7	10000	10000						M42-M80
PC3-800-10-400	812.8	32	64	65	740	29 ¹ / ₈	96	180	216.5	15200	15070						M42-M80
PC3-800-11-400	812.8	32	72	69	740	29 ¹ / ₈	108	220	265.4	18120	18120						M42-M80
PC3-800-12-400	812.8	32	80	77	780	30 ¹¹ / ₁₆	120	200	317.3	24970	24870						M72-M80
PC3-800-13-400	812.8	32	80	85	790	31 ¹ / ₈	120	240	385.3	29520	29400						M72-M80
PC3-800-4-490	812.8	32	24	25	690	27 ³ / ₁₆	36	100	52.2	1830	1830	1830	1830	1600	1120	810	M12-M36
PC3-800-5-490	812.8	32	30	29	690	27 ³ / ₁₆	45	100	53.1	2760	2760	2580	2160	1510	1060	770	M12-M36
PC3-800-6-490	812.8	32	36	41	690	27 ³ / ₁₆	54	90	60.1	3710	3710	3700	3140	2300	1670	1180	M20-M64
PC3-800-7-490	812.8	32	42	45	690	27 ³ / ₁₆	63	110	89.7	5470	5470	5470	5350	4100	3050	2140	M30-M64
PC3-800-8-490	812.8	32	48	52	690	27 ³ / ₁₆	72	150	124.4	8130	8130	7850	6760	5180	3850	2710	M42-M80
PC3-800-9-490	812.8	32	56	58	690	27 ³ / ₁₆	84	140	156.4	10000	10000	10000	10000	9640	7470	5310	M42-M80
PC3-800-10-490	812.8	32	64	65	720	28 ³ / ₈	96	160	185.4	14780	14780	14520	12980	10730	8320	5910	M42-M80
PC3-800-11-490	812.8	32	72	69	730	28 ³ / ₄	108	210	248.4	18880	18880	18550	16580	13710	10630	7550	M42-M80
PC3-800-12-490	812.8	32	80	77	770	30 ⁵ / ₁₆	120	200	309.7	26990	26990	26980	24660	21510	17600	13200	M72-M80
PC3-800-13-490	812.8	32	80	85	770	30 ⁵ / ₁₆	120	210	324.1	28530	28530	28520	26070	22740	18610	13960	M72-M80
PC3-800-4-530	812.8	32	24	25	690	27 ³ / ₁₆	36	100	52.2	1830	1830	1830	1830	1600	1120	810	M12-M36
PC3-800-5-530	812.8	32	30	29	690	27 ³ / ₁₆	45	110	58.4	3030	3030	2840	2380	1660	1170	840	M12-M36
PC3-800-6-530	812.8	32	36	41	690	27 ³ / ₁₆	54	110	73.2	3710	3710	3710	3710	2810	2040	1450	M20-M64
PC3-800-7-530	812.8	32	42	45	690	27 ³ / ₁₆	63	110	89.7	5470	5470	5470	5350	4100	3050	2140	M30-M64
PC3-800-8-530	812.8	32	48	52	690	27 ³ / ₁₆	72	120	133.0	10910	10910	10910	9940	8210	6370	4520	M42-M80
PC3-800-9-530	812.8	32	56	58	690	27 ³ / ₁₆	84	140	156.4	10000	10000	10000	10000	9640	7470	5310	M42-M80
PC3-800-10-530	812.8	32	64	65	720	28 ³ / ₈	96	170	196.6	15700	15700	15430	13790	11400	8840	6280	M42-M80
PC3-800-11-530	812.8	32	72	69	750	29 ¹ / ₂	108	180	269.7	23030	23030	23030	22620	19730	16150	12110	M42-M80
PC3-800-12-530	812.8	32	80	77	770	30 ⁵ / ₁₆	120	200	309.7	26990	26990	26980	24660	21510	17600	13200	M72-M80
PC3-800-13-530	812.8	32	80	85	770	30 ⁵ / ₁₆	120	230	353.6	30830	30830	30830	28550	24900	20380	15290	M72-M80
PC3-800-4-560	812.8	32	24	25	710	27 ¹⁵ / ₁₆	36	100	52.8	1830	1830	1830	1830	1750	1390	1110	M12-M36
PC3-800-5-560	812.8	32	30	29	710	27 ¹⁵ / ₁₆	45	90	60.1	2510	2510	2510	2510	2440	1960	1560	M12-M36
PC3-800-6-560	812.8	32	36	41	710	27 ¹⁵ / ₁₆	54	100	80.9	3810	3810	3810	3810	3810	3330	2640	M20-M64
PC3-800-7-560	812.8	32	42	45	710	27 ¹⁵ / ₁₆	63	140	114.8	5470	5470	5470	5470	5470	4470	3540	M30-M64
PC3-800-8-560	812.8	32	48	52	710	27 ¹⁵ / ₁₆	72	120	134.5	10910	10910	10910	10050	8430	6940	5540	M42-M80
PC3-800-9-560	812.8	32	56	58	710	27 ¹⁵ / ₁₆	84	140	158.1	10000	10000	10000	10000	9890	8150	6500	M42-M80
PC3-800-10-560	812.8	32	64	65	720	28 ³ / ₈	96	200	230.0	15890	15890	15890	15890	13770	11340	9040	M42-M80
PC3-800-11-560	812.8	32	72	69	750	29 ¹ / ₂	108	180	269.7	23030	23030	23030	22770	19970	16980	13810	M42-M80
PC3-800-12-560	812.8	32	80	77	770	30 ⁵ / ₁₆	120	220	339.3	29690	29690	29670	27300	23950	20360	16550	M72-M80
PC3-800-13-560	812.8	32	80	85	770	30 ⁵ / ₁₆	120	260	397.8	30830	30830	30830	30830	28490	24220	19700	M72-M80
PC3-800-4-600	812.8	32	24	25	710	27 ¹⁵ / ₁₆	36	100	66.2	1830	1830	1830	1830	1830	1830	1720	M12-M36
PC3-800-5-600	812.8	32	30	29	710	27 ¹⁵ / ₁₆	45	100	80.0	2650	2650	2650	2650	2650	2650	2610	M12-M36
PC3-800-6-600	812.8	32	36	41	710	27 ¹⁵ / ₁₆	54	140	112.7	3810	3810	3810	3810	3810	3810	3700	M20-M64
PC3-800-7-600	812.8	32	42	45	710	27 ¹⁵ / ₁₆	63	120	131.9	5470	5470	5470	5470	5470	5470	5470	M30-M64
PC3-800-8-600	812.8	32	48	52	710	27 ¹⁵ / ₁₆	72	160	176.1	7410	7410	7410	7410	7410	7410	7410	M42-M80
PC3-800-9-600	812.8	32	56	58	710	27 ¹⁵ / ₁₆	84	210	234.9	10000	10000	10000	10000	10000	10000	9750	M42-M80
PC3-800-10-600	812.8	32	64	65	740	29 ¹ / ₈	96	180	262.0	17090	17090	17090	17090	17090	17090	14140	M42-M80
PC3-800-11-600	812.8	32	72	69	750	29 ¹ / ₂	108	240	356.3	23030	23030	23030	23030	23030	22640	18410	M42-M80
PC3-800-12-600	812.8	32	80	77	770	30 ⁵ / ₁₆	120	310	472.2	32900	32900	32900	32900	32900	28680	23330	M72-M80

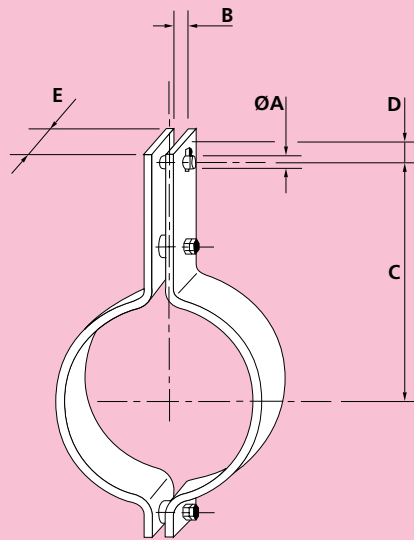
PC3 PIPE CLAMP THREE BOLT TYPE



Material: Carbon Steel to 400°C Alloy Steel above 400°C

Part Number	Pipe O/D		A	B	C		D	E	Weight	Load Capacity (kgf) at Temperature C						Compatible with Rod Sizes		
	mm	in			mm	in				mm	in	350	400	490	530		560	580
PC3-850-4-400	863.6	34	24	25	710	27 ¹⁵ / ₁₆	36	65	36.0	1670	1590						M12-M36	
PC3-850-5-400	863.6	34	30	29	710	27 ¹⁵ / ₁₆	45	110	61.7	2690	2560						M12-M36	
PC3-850-6-400	863.6	34	36	41	710	27 ¹⁵ / ₁₆	54	110	78.8	3810	3720						M20-M64	
PC3-850-7-400	863.6	34	42	45	710	27 ¹⁵ / ₁₆	63	150	128.6	5470	5470						M30-M64	
PC3-850-8-400	863.6	34	48	52	710	27 ¹⁵ / ₁₆	72	150	174.4	8920	8920						M42-M80	
PC3-850-9-400	863.6	34	56	58	730	28 ³ / ₄	84	150	180.4	10000	10000						M42-M80	
PC3-850-10-400	863.6	34	64	65	770	30 ⁵ / ₁₆	96	180	226.4	14240	14120						M42-M80	
PC3-850-11-400	863.6	34	72	69	800	31 ¹ / ₂	108	200	324.9	23870	23760						M42-M80	
PC3-850-12-400	863.6	34	80	77	810	31 ⁷ / ₈	120	200	330.0	24030	23930						M72-M80	
PC3-850-13-400	863.6	34	80	85	820	32 ⁵ / ₁₆	120	240	400.6	28390	28270						M72-M80	
PC3-850-4-490	863.6	34	24	25	740	29 ¹ / ₈	36	100	55.5	1830	1830	1830	1830	1520	1060	770	M12-M36	
PC3-850-5-490	863.6	34	30	29	740	29 ¹ / ₈	45	100	56.4	2660	2660	2480	2080	1440	1000	730	M12-M36	
PC3-850-6-490	863.6	34	36	41	740	29 ¹ / ₈	54	100	71.7	3810	3810	3760	3180	2310	1670	1190	M20-M64	
PC3-850-7-490	863.6	34	42	45	740	29 ¹ / ₈	63	110	95.3	5470	5470	5470	4920	3740	2770	1950	M30-M64	
PC3-850-8-490	863.6	34	48	52	740	29 ¹ / ₈	72	150	131.6	7840	7840	7560	6490	4940	3660	2580	M42-M80	
PC3-850-9-490	863.6	34	56	58	740	29 ¹ / ₈	84	140	165.3	10000	10000	10000	10000	9200	7110	5030	M42-M80	
PC3-850-10-490	863.6	34	64	65	740	29 ¹ / ₈	96	160	192.7	14240	14240	13970	12450	10240	7920	5590	M42-M80	
PC3-850-11-490	863.6	34	72	69	760	29 ¹⁵ / ₁₆	108	220	271.1	19050	19050	18690	16660	13700	10590	7480	M42-M80	
PC3-850-12-490	863.6	34	80	77	800	31 ¹ / ₂	120	200	322.4	25990	25990	25940	23680	20610	16770	12530	M72-M80	
PC3-850-13-490	863.6	34	80	85	800	31 ¹ / ₂	120	220	352.8	28770	28770	28720	26210	22820	18560	13870	M72-M80	
PC3-850-4-530	863.6	34	24	25	740	29 ¹ / ₈	36	100	55.5	1830	1830	1830	1830	1520	1060	770	M12-M36	
PC3-850-5-530	863.6	34	30	29	740	29 ¹ / ₈	45	110	61.9	2930	2930	2730	2290	1580	1110	800	M12-M36	
PC3-850-6-530	863.6	34	36	41	740	29 ¹ / ₈	54	120	85.7	3810	3810	3810	3810	2780	2000	1430	M20-M64	
PC3-850-7-530	863.6	34	42	45	740	29 ¹ / ₈	63	120	103.7	5470	5470	5470	5360	4080	3020	2130	M30-M64	
PC3-850-8-530	863.6	34	48	52	740	29 ¹ / ₈	72	120	140.7	10630	10630	10630	9540	7840	6060	4280	M42-M80	
PC3-850-9-530	863.6	34	56	58	740	29 ¹ / ₈	84	140	165.3	10000	10000	10000	10000	9200	7110	5030	M42-M80	
PC3-850-10-530	863.6	34	64	65	740	29 ¹ / ₈	96	180	215.9	15280	15280	15280	14010	11520	8900	6290	M42-M80	
PC3-850-11-530	863.6	34	72	69	780	30 ¹¹ / ₁₆	108	180	281.1	22120	22120	22120	21730	18920	15390	11500	M42-M80	
PC3-850-12-530	863.6	34	80	77	800	31 ¹ / ₂	120	200	322.4	25990	25990	25940	23680	20610	16770	12530	M72-M80	
PC3-850-13-530	863.6	34	80	85	800	31 ¹ / ₂	120	240	383.6	30830	30830	30830	28600	24900	20250	15130	M72-M80	
PC3-850-4-560	863.6	34	24	25	760	29 ¹⁵ / ₁₆	36	100	56.1	1830	1830	1830	1830	1680	1330	1060	M12-M36	
PC3-850-5-560	863.6	34	30	29	760	29 ¹⁵ / ₁₆	45	90	63.7	2420	2420	2420	2420	2420	2330	1870	1490	M12-M36
PC3-850-6-560	863.6	34	36	41	760	29 ¹⁵ / ₁₆	54	100	85.7	3790	3790	3790	3790	3790	3180	2520	M20-M64	
PC3-850-7-560	863.6	34	42	45	760	29 ¹⁵ / ₁₆	63	150	130.5	5470	5470	5470	5470	5410	4380	3470	M30-M64	
PC3-850-8-560	863.6	34	48	52	760	29 ¹⁵ / ₁₆	72	120	142.3	10630	10630	10630	9640	8070	6640	5280	M42-M80	
PC3-850-9-560	863.6	34	56	58	760	29 ¹⁵ / ₁₆	84	150	178.7	10000	10000	10000	10000	10000	8340	6640	M42-M80	
PC3-850-10-560	863.6	34	64	65	760	29 ¹⁵ / ₁₆	96	210	253.3	15280	15280	15280	15280	13820	11370	9050	M42-M80	
PC3-850-11-560	863.6	34	72	69	780	30 ¹¹ / ₁₆	108	180	281.1	22120	22120	22120	21880	19150	16220	13170	M42-M80	
PC3-850-12-560	863.6	34	80	77	800	31 ¹ / ₂	120	230	368.7	29890	29890	29830	27420	24000	20320	16500	M72-M80	
PC3-850-13-560	863.6	34	80	85	800	31 ¹ / ₂	120	270	429.7	30830	30830	30830	30830	28350	24010	19500	M72-M80	
PC3-850-4-600	863.6	34	24	25	760	29 ¹⁵ / ₁₆	36	100	70.3	1830	1830	1830	1830	1830	1830	1640	M12-M36	
PC3-850-5-600	863.6	34	30	29	760	29 ¹⁵ / ₁₆	45	100	84.8	2560	2560	2560	2560	2560	2560	2490	M12-M36	
PC3-850-6-600	863.6	34	36	41	760	29 ¹⁵ / ₁₆	54	150	127.9	3790	3790	3790	3790	3790	3790	3790	3790	M20-M64
PC3-850-7-600	863.6	34	42	45	760	29 ¹⁵ / ₁₆	63	120	139.6	5470	5470	5470	5470	5470	5470	5440	M30-M64	
PC3-850-8-600	863.6	34	48	52	760	29 ¹⁵ / ₁₆	72	170	200.1	10630	10630	10630	10630	10630	9400	7480	M42-M80	
PC3-850-9-600	863.6	34	56	58	760	29 ¹⁵ / ₁₆	84	220	260.0	10000	10000	10000	10000	10000	10000	9740	M42-M80	
PC3-850-10-600	863.6	34	64	65	760	29 ¹⁵ / ₁₆	96	180	272.2	16420	16420	16420	16420	16420	16420	13500	M42-M80	
PC3-850-11-600	863.6	34	72	69	780	30 ¹¹ / ₁₆	108	250	386.7	22120	22120	22120	22120	22120	22120	18300	M42-M80	
PC3-850-12-600	863.6	34	80	77	800	31 ¹ / ₂	120	330	522.8	31580	31580	31580	31580	31580	29150	23680	M72-M80	

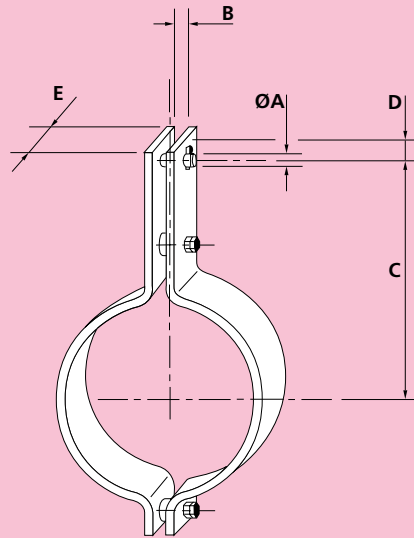
PC3 PIPE CLAMP THREE BOLT TYPE



Material: Carbon Steel to 400°C Alloy Steel above 400°C

Part Number	Pipe O/D		A	B	C		D	E	Weight	Load Capacity (kgf) at Temperature C							Compatible with Rod Sizes
	mm	in			mm	in				mm	in	350	400	490	530	560	
PC3-900-4-400	914.4	36	24	25	740	29 ¹ / ₈	36	90	52.0	1830	1830						M12-M36
PC3-900-5-400	914.4	36	30	29	740	29 ¹ / ₈	45	110	64.8	2490	2380						M12-M36
PC3-900-6-400	914.4	36	36	41	740	29 ¹ / ₈	54	130	97.0	3810	3810						M20-M64
PC3-900-7-400	914.4	36	42	45	740	29 ¹ / ₈	63	150	136.3	5470	5470						M30-M64
PC3-900-8-400	914.4	36	48	52	740	29 ¹ / ₈	72	150	182.2	8560	8560						M42-M80
PC3-900-9-400	914.4	36	56	58	760	29 ¹⁵ / ₁₆	84	150	188.3	10000	10000						M42-M80
PC3-900-10-400	914.4	36	64	65	790	31 ¹ / ₈	96	180	234.7	13800	13690						M42-M80
PC3-900-11-400	914.4	36	72	69	830	32 ¹¹ / ₁₆	108	200	338.8	22580	22490						M42-M80
PC3-900-12-400	914.4	36	80	77	830	32 ¹¹ / ₁₆	120	200	341.5	23260	23170						M72-M80
PC3-900-13-400	914.4	36	80	85	850	33 ⁷ / ₁₆	120	260	450.2	29100	28990						M72-M80
PC3-900-4-490	914.4	36	24	25	760	29 ¹⁵ / ₁₆	36	100	58.0	1830	1830	1830	1830	1430	1000	720	M12-M36
PC3-900-5-490	914.4	36	30	29	760	29 ¹⁵ / ₁₆	45	100	58.7	2600	2600	2440	2050	1430	1010	730	M12-M36
PC3-900-6-490	914.4	36	36	41	760	29 ¹⁵ / ₁₆	54	110	82.1	3810	3810	3810	3280	2410	1750	1240	M20-M64
PC3-900-7-490	914.4	36	42	45	760	29 ¹⁵ / ₁₆	63	110	99.1	5470	5470	5470	4820	3700	2760	1940	M30-M64
PC3-900-8-490	914.4	36	48	52	760	29 ¹⁵ / ₁₆	72	160	145.7	8130	8130	7860	6780	5210	3880	2730	M42-M80
PC3-900-9-490	914.4	36	56	58	760	29 ¹⁵ / ₁₆	84	140	173.8	10000	10000	10000	10000	8770	6810	4850	M42-M80
PC3-900-10-490	914.4	36	64	65	770	30 ⁵ / ₁₆	96	160	201.1	13820	13820	13590	12170	10090	7830	5580	M42-M80
PC3-900-11-490	914.4	36	72	69	780	30 ¹¹ / ₁₆	108	220	281.3	18480	18480	18170	16260	13480	10470	7460	M42-M80
PC3-900-12-490	914.4	36	80	77	830	32 ¹¹ / ₁₆	120	200	336.3	24550	24550	24550	22460	19610	16100	12100	M72-M80
PC3-900-13-490	914.4	36	80	85	820	32 ⁵ / ₁₆	120	230	381.4	29140	29140	29140	26670	23280	19110	14360	M72-M80
PC3-900-4-530	914.4	36	24	25	760	29 ¹⁵ / ₁₆	36	100	58.0	1830	1830	1830	1830	1430	1000	720	M12-M36
PC3-900-5-530	914.4	36	30	29	760	29 ¹⁵ / ₁₆	45	90	66.2	3050	3050	3050	2770	2040	1480	1050	M12-M36
PC3-900-6-530	914.4	36	36	41	760	29 ¹⁵ / ₁₆	54	100	89.5	3810	3810	3810	3810	3350	2500	1750	M20-M64
PC3-900-7-530	914.4	36	42	45	760	29 ¹⁵ / ₁₆	63	130	116.7	5470	5470	5470	5470	4380	3260	2290	M30-M64
PC3-900-8-530	914.4	36	48	52	760	29 ¹⁵ / ₁₆	72	120	146.3	10190	10190	10190	9330	7730	6010	4280	M42-M80
PC3-900-9-530	914.4	36	56	58	760	29 ¹⁵ / ₁₆	84	140	171.8	10000	10000	10000	10000	9070	7040	5020	M42-M80
PC3-900-10-530	914.4	36	64	65	770	30 ⁵ / ₁₆	96	180	225.4	14640	14640	14640	13690	11350	8810	6270	M42-M80
PC3-900-11-530	914.4	36	72	69	800	31 ¹ / ₂	108	180	291.5	21200	21200	21200	21170	18480	15170	11400	M42-M80
PC3-900-12-530	914.4	36	80	77	830	32 ¹¹ / ₁₆	120	210	352.4	25780	25780	25780	23590	20590	16900	12700	M72-M80
PC3-900-13-530	914.4	36	80	85	820	32 ⁵ / ₁₆	120	250	413.3	30680	30680	30680	28980	25300	20770	15610	M72-M80
PC3-900-4-560	914.4	36	24	25	790	31 ¹ / ₈	36	110	64.8	1830	1830	1830	1830	1720	1370	1090	M12-M36
PC3-900-5-560	914.4	36	30	29	790	31 ¹ / ₈	45	90	66.7	2320	2320	2320	2320	2310	1850	1480	M12-M36
PC3-900-6-560	914.4	36	36	41	790	31 ¹ / ₈	54	100	89.9	3740	3740	3740	3740	3700	3000	2380	M20-M64
PC3-900-7-560	914.4	36	42	45	790	31 ¹ / ₈	63	160	145.4	5470	5470	5470	5470	5470	4610	3660	M30-M64
PC3-900-8-560	914.4	36	48	52	790	31 ¹ / ₈	72	120	148.5	10190	10190	10190	9430	7930	6540	5220	M42-M80
PC3-900-9-560	914.4	36	56	58	790	31 ¹ / ₈	84	150	186.5	10000	10000	10000	10000	9970	8210	6560	M42-M80
PC3-900-10-560	914.4	36	64	65	790	31 ¹ / ₈	96	210	264.4	14640	14640	14640	14640	13580	11190	8930	M42-M80
PC3-900-11-560	914.4	36	72	69	800	31 ¹ / ₂	108	180	291.5	21200	21200	21200	21200	18700	15930	12960	M42-M80
PC3-900-12-560	914.4	36	80	77	830	32 ¹¹ / ₁₆	120	240	400.7	29460	29460	29460	27130	23820	20280	16510	M72-M80
PC3-900-13-560	914.4	36	80	85	820	32 ⁵ / ₁₆	120	280	461.1	30680	30680	30680	30680	28680	24430	19880	M72-M80
PC3-900-4-600	914.4	36	24	25	790	31 ¹ / ₈	36	100	73.6	1830	1830	1830	1830	1830	1830	1630	M12-M36
PC3-900-5-600	914.4	36	30	29	790	31 ¹ / ₈	45	100	88.8	2460	2460	2460	2460	2460	2460	2460	M12-M36
PC3-900-6-600	914.4	36	36	41	790	31 ¹ / ₈	54	160	143.0	3740	3740	3740	3740	3740	3740	3740	M20-M64
PC3-900-7-600	914.4	36	42	45	790	31 ¹ / ₈	63	120	145.9	5470	5470	5470	5470	5470	5470	5380	M30-M64
PC3-900-8-600	914.4	36	48	52	790	31 ¹ / ₈	72	180	221.0	10190	10190	10190	10190	10190	9800	7830	M42-M80
PC3-900-9-600	914.4	36	56	58	790	31 ¹ / ₈	84	180	278.8	10000	10000	10000	10000	10000	10000	10000	M42-M80
PC3-900-10-600	914.4	36	64	65	790	31 ¹ / ₈	96	190	299.3	15740	15740	15740	15740	15740	15740	14030	M42-M80
PC3-900-11-600	914.4	36	72	69	800	31 ¹ / ₂	108	250	401.0	21200	21200	21200	21200	21200	21200	18000	M42-M80
PC3-900-12-600	914.4	36	80	77	830	32 ¹¹ / ₁₆	120	340	561.7	30780	30780	30780	30780	30780	28730	23380	M72-M80

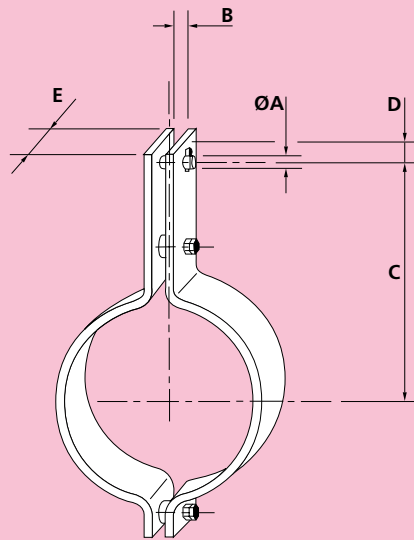
PC3 PIPE CLAMP THREE BOLT TYPE



Material: Carbon Steel to 400°C Alloy Steel above 400°C

Part Number	Pipe O/D		A	B	C		D	E	Weight	Load Capacity (kgf) at Temperature C						Compatible with Rod Sizes		
	mm	in			mm	in				mm	in	350	400	490	530		560	580
PC3-950-4-400	965.2	38	24	25	770	30 ⁵ / ₁₆	36	90	54.5	1830	1830						M12-M36	
PC3-950-5-400	965.2	38	30	29	770	30 ⁵ / ₁₆	45	110	67.8	2440	2340						M12-M36	
PC3-950-6-400	965.2	38	36	41	770	30 ⁵ / ₁₆	54	130	101.3	3810	3810						M20-M64	
PC3-950-7-400	965.2	38	42	45	770	30 ⁵ / ₁₆	63	150	142.6	5470	5470						M30-M64	
PC3-950-8-400	965.2	38	48	52	770	30 ⁵ / ₁₆	72	150	190.6	8410	8410						M42-M80	
PC3-950-9-400	965.2	38	56	58	790	31 ¹ / ₈	84	150	196.7	10000	10000						M42-M80	
PC3-950-10-400	965.2	38	64	65	820	32 ⁵ / ₁₆	96	200	270.1	14900	14780						M42-M80	
PC3-950-11-400	965.2	38	72	69	850	33 ⁷ / ₁₆	108	200	350.3	21900	21830						M42-M80	
PC3-950-12-400	965.2	38	80	77	860	33 ⁷ / ₁₆	120	220	389.2	24170	24170						M72-M80	
PC3-950-13-400	965.2	38	80	85	870	34 ¹ / ₄	120	280	499.3	30380	30280						M72-M80	
PC3-950-4-490	965.2	38	24	25	790	31 ¹ / ₈	36	100	60.6	1830	1830	1830	1830	1430	1020	730	M12-M36	
PC3-950-5-490	965.2	38	30	29	790	31 ¹ / ₈	45	110	67.6	2650	2650	2490	2100	1490	1060	760	M12-M36	
PC3-950-6-490	965.2	38	36	41	790	31 ¹ / ₈	54	110	85.7	3810	3810	3790	3220	2400	1760	1240	M20-M64	
PC3-950-7-490	965.2	38	42	45	790	31 ¹ / ₈	63	110	103.5	5470	5470	5470	4740	3680	2760	1930	M30-M64	
PC3-950-8-490	965.2	38	48	52	790	31 ¹ / ₈	72	160	152.1	7930	7930	7680	6660	5180	3880	2720	M42-M80	
PC3-950-9-490	965.2	38	56	58	790	31 ¹ / ₈	84	140	181.7	10000	10000	10000	10000	8400	6560	4710	M42-M80	
PC3-950-10-490	965.2	38	64	65	790	31 ¹ / ₈	96	170	221.0	14070	14070	14070	12660	10610	8270	5940	M42-M80	
PC3-950-11-490	965.2	38	72	69	830	32 ¹¹ / ₁₆	108	180	303.9	20740	20740	20740	20120	17620	14620	11050	M42-M80	
PC3-950-12-490	965.2	38	80	77	850	33 ⁷ / ₁₆	120	200	347.7	23830	23830	23830	21920	19190	15930	12040	M72-M80	
PC3-950-13-490	965.2	38	80	85	850	33 ⁷ / ₁₆	120	240	414.0	28770	28770	28770	26470	23170	19230	14540	M72-M80	
PC3-950-4-530	965.2	38	24	25	790	31 ¹ / ₈	36	100	60.6	1830	1830	1830	1830	1430	1020	730	M12-M36	
PC3-950-5-530	965.2	38	30	29	790	31 ¹ / ₈	45	90	69.2	3050	3050	3050	2730	2030	1490	1050	M12-M36	
PC3-950-6-530	965.2	38	36	41	790	31 ¹ / ₈	54	100	93.5	3810	3810	3810	3810	3340	2500	1750	M20-M64	
PC3-950-7-530	965.2	38	42	45	790	31 ¹ / ₈	63	130	121.9	5470	5470	5470	5470	4350	3270	2290	M30-M64	
PC3-950-8-530	965.2	38	48	52	790	31 ¹ / ₈	72	120	153.0	9970	9970	9830	8830	7400	5780	4150	M42-M80	
PC3-950-9-530	965.2	38	56	58	790	31 ¹ / ₈	84	140	179.2	9910	9910	9910	9910	8990	7010	5040	M42-M80	
PC3-950-10-530	965.2	38	64	65	790	31 ¹ / ₈	96	180	233.6	14070	14070	14070	13400	112308	760	6290	M42-M80	
PC3-950-11-530	965.2	38	72	69	830	32 ¹¹ / ₁₆	108	180	303.9	20740	20740	20740	20120	17620	14620	11050	M42-M80	
PC3-950-12-530	965.2	38	80	77	850	33 ⁷ / ₁₆	120	220	381.1	26210	26210	26210	24110	21110	17520	13240	M72-M80	
PC3-950-13-530	965.2	38	80	85	850	33 ⁷ / ₁₆	120	260	447.2	29960	29960	29960	28670	25100	20830	15750	M72-M80	
PC3-950-4-560	965.2	38	24	25	820	32 ⁵ / ₁₆	36	110	67.7	1830	1830	1830	1830	1710	1370	1090	M12-M36	
PC3-950-5-560	965.2	38	30	29	820	32 ⁵ / ₁₆	45	100	78.0	3050	3050	3050	3050	2420	1950	1550	M12-M36	
PC3-950-6-560	965.2	38	36	41	820	32 ⁵ / ₁₆	54	110	104.2	3810	3810	3810	3810	3810	3140	2480	M20-M64	
PC3-950-7-560	965.2	38	42	45	820	32 ⁵ / ₁₆	63	160	151.8	5470	5470	5470	5470	5470	4580	3630	M30-M64	
PC3-950-8-560	965.2	38	48	52	820	32 ⁵ / ₁₆	72	120	155.2	9970	9970	9830	8930	7560	6250	5010	M42-M80	
PC3-950-9-560	965.2	38	56	58	820	32 ⁵ / ₁₆	84	150	194.5	9910	9910	9910	9910	9910	9840	8130	6510	M42-M80
PC3-950-10-560	965.2	38	64	65	820	32 ⁵ / ₁₆	96	210	275.4	14070	14070	14070	14070	13390	11060	8860	M42-M80	
PC3-950-11-560	965.2	38	72	69	830	32 ¹¹ / ₁₆	108	190	320.3	20740	20740	20740	20740	18820	16130	13160	M42-M80	
PC3-950-12-560	965.2	38	80	77	850	33 ⁷ / ₁₆	120	240	414.5	28600	28600	28600	26450	23310	19980	16300	M72-M80	
PC3-950-13-560	965.2	38	80	85	850	33 ⁷ / ₁₆	120	290	497.1	29960	29960	29960	29960	29960	28340	24290	19810	M72-M80
PC3-950-4-600	965.2	38	24	25	820	32 ⁵ / ₁₆	36	100	76.9	1830	1830	1830	1830	1830	1830	1620	M12-M36	
PC3-950-5-600	965.2	38	30	29	820	32 ⁵ / ₁₆	45	100	92.8	2360	2360	2360	2360	2360	2360	2360	M12-M36	
PC3-950-6-600	965.2	38	36	41	820	32 ⁵ / ₁₆	54	120	151.7	3810	3810	3810	3810	3810	3810	3810	3810	M20-M64
PC3-950-7-600	965.2	38	42	45	820	32 ⁵ / ₁₆	63	130	165.1	5470	5470	5470	5470	5470	5470	5470	5470	M30-M64
PC3-950-8-600	965.2	38	48	52	820	32 ⁵ / ₁₆	72	180	231.1	10020	10020	10020	10020	10020	9370	7510	M42-M80	
PC3-950-9-600	965.2	38	56	58	820	32 ⁵ / ₁₆	84	180	291.2	10000	10000	10000	10000	10000	10000	10000	M42-M80	
PC3-950-10-600	965.2	38	64	65	820	32 ⁵ / ₁₆	96	190	312.5	15410	15410	15410	15410	15410	15410	13480	M42-M80	
PC3-950-11-600	965.2	38	72	69	830	32 ¹¹ / ₁₆	108	260	434.6	20740	20740	20740	20740	20740	20740	18010	M42-M80	
PC3-950-12-600	965.2	38	80	77	850	33 ⁷ / ₁₆	120	340	581.2	29550	29550	29550	29550	29550	28300	23080	M72-M80	

PC3 PIPE CLAMP THREE BOLT TYPE



Material: Carbon Steel to 400°C Alloy Steel above 400°C

Part Number	Pipe O/D		A	B	C		D	E	Weight	Load Capacity (kgf) at Temperature C							Compatible with Rod Sizes
	mm	in			mm	in				mm	in	350	400	490	530	560	
PC3-1000-4-400	1016	40	24	25	790	31 ¹ / ₈	36	90	56.6	1810	1810						M12-M36
PC3-1000-5-400	1016	40	30	29	790	31 ¹ / ₈	45	110	87.6	3050	3050						M12-M36
PC3-1000-6-400	1016	40	36	41	790	31 ¹ / ₈	54	130	105.0	3810	3810						M20-M64
PC3-1000-7-400	1016	40	42	45	790	31 ¹ / ₈	63	150	147.7	5470	5470						M30-M64
PC3-1000-8-400	1016	40	48	52	790	31 ¹ / ₈	72	150	197.4	8150	8150						M42-M80
PC3-1000-9-400	1016	40	56	58	810	31 ⁷ / ₈	84	150	203.5	10000	10000						M42-M80
PC3-1000-10-400	1016	40	64	65	840	33 ¹ / ₁₆	96	200	279.3	14440	14320						M42-M80
PC3-1000-11-400	1016	40	72	69	880	34 ⁵ / ₈	108	200	363.1	21220	21140						M42-M80
PC3-1000-12-400	1016	40	80	77	890	35 ¹ / ₁₆	120	220	403.4	23370	23370						M72-M80
PC3-1000-13-400	1016	40	80	85	900	35 ⁷ / ₁₆	120	280	517.4	29410	29300						M72-M80
PC3-1000-4-490	1016	40	24	25	820	32 ⁵ / ₁₆	36	100	63.2	1830	1830	1830	1830	1370	960	690	M12-M36
PC3-1000-5-490	1016	40	30	29	820	32 ⁵ / ₁₆	45	110	70.5	2570	2570	2410	2030	1430	1010	730	M12-M36
PC3-1000-6-490	1016	40	36	41	820	32 ⁵ / ₁₆	54	110	89.3	3810	3810	3660	3110	2300	1670	1190	M20-M64
PC3-1000-7-490	1016	40	42	45	820	32 ⁵ / ₁₆	63	120	117.4	5470	5470	5470	4990	3850	2870	2010	M30-M64
PC3-1000-8-490	1016	40	48	52	820	32 ⁵ / ₁₆	72	160	158.3	7690	7690	7440	6420	4950	3700	2590	M42-M80
PC3-1000-9-490	1016	40	56	58	820	32 ⁵ / ₁₆	84	140	186.8	9810	9810	9810	9810	8320	6470	4620	M42-M80
PC3-1000-10-490	1016	40	64	65	820	32 ⁵ / ₁₆	96	180	243.6	13910	13910	13910	12530	10410	8100	5780	M42-M80
PC3-1000-11-490	1016	40	72	69	860	33 ⁷ / ₈	108	180	315.5	20070	20070	20070	19430	16980	13980	10520	M42-M80
PC3-1000-12-490	1016	40	80	77	880	34 ⁵ / ₈	120	200	360.6	23090	23090	23090	21160	18490	15230	11460	M72-M80
PC3-1000-13-490	1016	40	80	85	880	34 ⁵ / ₈	120	250	446.7	28960	28960	28960	26610	23250	19150	14410	M72-M80
PC3-1000-4-530	1016	40	24	25	820	32 ⁵ / ₁₆	36	100	63.2	1830	1830	1830	1830	1370	960	690	M12-M36
PC3-1000-5-530	1016	40	30	29	820	32 ⁵ / ₁₆	45	90	72.1	3050	3050	3050	2640	1950	1420	1010	M12-M36
PC3-1000-6-530	1016	40	36	41	820	32 ⁵ / ₁₆	54	100	97.4	3810	3810	3810	3810	3190	2380	1670	M20-M64
PC3-1000-7-530	1016	40	42	45	820	32 ⁵ / ₁₆	63	130	127.0	5470	5470	5470	5400	4170	3110	2180	M30-M64
PC3-1000-8-530	1016	40	48	52	820	32 ⁵ / ₁₆	72	120	159.2	9670	9670	9520	8530	7090	5520	3940	M42-M80
PC3-1000-9-530	1016	40	56	58	820	32 ⁵ / ₁₆	84	140	186.8	9810	9810	9810	9810	8320	6470	4620	M42-M80
PC3-1000-10-530	1016	40	64	65	820	32 ⁵ / ₁₆	96	200	269.9	13910	13910	13910	13910	11570	9000	6420	M42-M80
PC3-1000-11-530	1016	40	72	69	860	33 ⁷ / ₈	108	180	315.5	20070	20070	20070	19430	16980	13980	10520	M42-M80
PC3-1000-12-530	1016	40	80	77	880	34 ⁵ / ₈	120	220	395.3	25400	25400	25400	23280	20340	16750	12610	M72-M80
PC3-1000-13-530	1016	40	80	85	880	34 ⁵ / ₈	120	270	481.3	28960	28960	28960	28740	25110	20680	15560	M72-M80
PC3-1000-4-560	1016	40	24	25	840	33 ¹ / ₁₆	36	110	70.2	1830	1830	1830	1830	1650	1310	1040	M12-M36
PC3-1000-5-560	1016	40	30	29	840	33 ¹ / ₁₆	45	100	80.8	3050	3050	3050	2960	2320	1870	1480	M12-M36
PC3-1000-6-560	1016	40	36	41	840	33 ¹ / ₁₆	54	110	108.0	3810	3810	3810	3810	3700	3010	2380	M20-M64
PC3-1000-7-560	1016	40	42	45	840	33 ¹ / ₁₆	63	160	157.3	5470	5470	5470	5470	5410	4390	3480	M30-M64
PC3-1000-8-560	1016	40	48	52	840	33 ¹ / ₁₆	72	130	173.8	9710	9710	9710	9340	7870	6490	5190	M42-M80
PC3-1000-9-560	1016	40	56	58	840	33 ¹ / ₁₆	84	160	214.9	9810	9810	9810	9810	9740	8030	6420	M42-M80
PC3-1000-10-560	1016	40	64	65	840	33 ¹ / ₁₆	96	180	306.7	14910	14910	14910	14910	14910	14910	12240	M42-M80
PC3-1000-11-560	1016	40	72	69	860	33 ⁷ / ₈	108	190	332.5	20070	20070	20070	20070	18140	15480	12600	M42-M80
PC3-1000-12-560	1016	40	80	77	880	34 ⁵ / ₈	120	250	447.3	28580	28580	28580	26610	23390	19960	16250	M72-M80
PC3-1000-13-560	1016	40	80	85	880	34 ⁵ / ₈	120	300	533.1	28960	28960	28960	28960	28240	24090	19620	M72-M80
PC3-1000-4-600	1016	40	24	25	840	33 ¹ / ₁₆	36	110	87.7	1830	1830	1830	1830	1830	1830	1710	M12-M36
PC3-1000-5-600	1016	40	30	29	840	33 ¹ / ₁₆	45	100	96.2	2290	2290	2290	2290	2290	2290	2290	M12-M36
PC3-1000-6-600	1016	40	36	41	840	33 ¹ / ₁₆	54	120	157.2	3810	3810	3810	3810	3810	3810	3810	M20-M64
PC3-1000-7-600	1016	40	42	45	840	33 ¹ / ₁₆	63	140	184.1	5470	5470	5470	5470	5470	5470	5470	M30-M64
PC3-1000-8-600	1016	40	48	52	840	33 ¹ / ₁₆	72	190	252.4	9710	9710	9710	9710	9710	9480	7580	M42-M80
PC3-1000-9-600	1016	40	56	58	840	33 ¹ / ₁₆	84	180	301.4	10000	10000	10000	10000	10000	10000	10000	M42-M80
PC3-1000-10-600	1016	40	64	65	840	33 ¹ / ₁₆	96	200	340.0	14910	14910	14910	14910	14910	14910	13600	M42-M80
PC3-1000-11-600	1016	40	72	69	860	33 ⁷ / ₈	108	280	485.4	20070	20070	20070	20070	20070	20070	18570	M42-M80