

ROLLER SUPPORT

Figure 110

Figure 110 Roller Support is used on steam or hot water systems where pipe is to be supported in tunnels, trenches, structural brackets and frames. Adjustment is made by raising and lowering the top nut on the legs and locked into position by tightening the lower nut.

Material: Steel Axle, Cast Iron Roll.

Finish: Plain, Painted, Electro-Galvanized, Hot-Dip Galvanized.

Ordering: Specify pipe size, figure number, and finish. For Metric applications specify Figure M110.

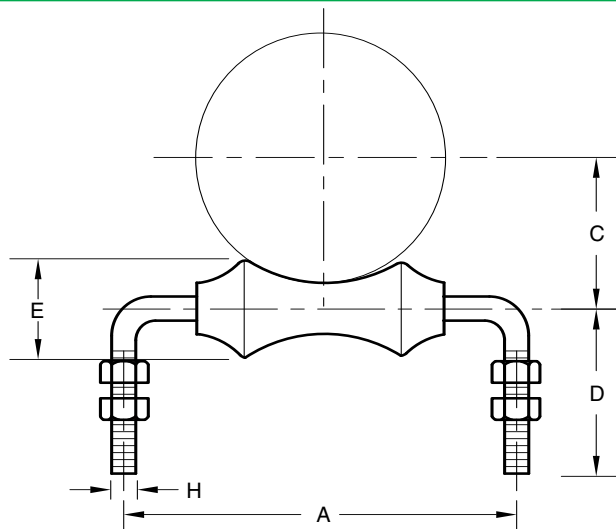


FIGURE 110 – ROLLER SUPPORT

PIPE SIZE	MAXIMUM LOAD	A	C	D	E	H	WEIGHT EACH
2	300	4½	1½	3¾	1¾	¾	0.79
50	1335	114	41	95	30	M10	0.36
2½	600	5	1¾	4½	1¾	½	1.44
65	2669	127	33	114	35	M12	0.65
3	600	5¾	2¼	4½	1¾	½	1.62
80	2669	149	57	114	37	M12	0.73
3½	600	7	2¾	4½	1¾	½	1.64
90	2669	178	67	114	41	M12	0.74
4	700	7	2 ¹³ / ₁₆	4½	1¾	½	1.82
100	3114	178	71	114	43	M12	0.83
5	700	8½	3 ⁷ / ₁₆	4½	2	¾	2.90
125	3114	216	87	114	51	M16	1.32
6	1000	10	4 ⁵ / ₁₆	4 ½	2¾	¾	4.66
150	4448	254	103	114	60	M20	2.11
8	1300	12	5½	5¼	2¾	¾	7.29
200	5783	305	130	133	70	M20	3.31
10	1700	14	6¼	5½	3¾	¾	10.23
250	7562	356	159	140	86	M20	4.64
12	2300	16	7 ¹ / ₁₆	6	3 ⁵ / ₁₆	¾	12.27
300	10231	406	189	152	100	M20	5.57
14	3075	17	8¾	7	4¾	1	21.39
350	13679	432	222	178	121	M24	9.70
16	3075	19½	9 ⁷ / ₁₆	8	5 ⁵ / ₁₆	1	27.76
400	13679	495	240	203	129	M24	12.59

Figure 110 PIPE SIZE OF ROLL	PIPE SIZE OF COVERING PROTECTION SADDLE to be used with Figure 110 Roller Support					
	Figure 351 1" Cov. 25	Figure 352 1½" Cov. 38	Figure 353 2" Cov. 51	Figure 354 2½" Cov. 64	Figure 355 3" Cov. 76	Figure 356 4" Cov. 102
4"	2-1/2"-3"	2"-2-1/2"				
100	65 - 80	50 - 65				
5"	3-1/2"					
125	90					
6"	4"-5"	3"-3-1/2"	2"-2-1/2"			
150	100 - 125	80 - 90	50 - 65			
7"	6"	4"-5"	3"-4"	2"-2-1/2"	2"-2-1/2"	
200	150	100 - 125	80 - 100	50 - 65	50 - 65	
8"	8"	6"	5"	3"-3-1/2"	3"-3-1/2"	
200	200	150	125	80 - 90	80 - 90	
10"		8"	6"	4"-5"	4"-5"	
250		200	150	100 - 125	100 - 125	
12"	10"	10"	8"	6"	6"-8"	4"-6"
300	250	250	200	150	150 - 200	100 - 150
14"	12"	12"	10"	8"		
350	300	300	250	200		
16"	14"	14"	12"-14"	10"	8"	8"
400	350	350	300 - 350	250	200	200