

STEEL ROD COUPLING

Figure 123

Figure 123W

Figure 123 is used to connect rods up to 1½ inch diameter. The Rod Coupling is made of carbon steel and can be welded to the rod after assembly. The Figure 123W has a sight hole mid length to allow for determining depth of thread engagement.

Finish: Plain, Painted, Electro-Galvanized, Hot-Dip Galvanized.

Ordering: Specify figure number, finish and rod size. For Metric applications specify Figure M123 or M123W.

FIGURE 123, 123W – ROD COUPLING

ROD SIZE A	MAXIMUM LOAD	L	WEIGHT EACH
¼	240	7/8	0.02
M6	1068	22	0.01
3/8	610	1¾	0.08
M10	2714	44	0.04
½	1130	1¾	0.12
M12	5027	44	0.05
5/8	1810	2½	0.17
M16	8052	54	0.08
¾	2710	2¼	0.28
M20	12055	57	0.13
7/8	3770	2¼	0.44
M20	16770	57	0.20
1	4150	2¾	0.72
M24	18461	70	0.33
1¼	6660	3¼	1.41
M30	29626	83	0.64
1½	7000	4	1.96
M36	31139	102	0.89

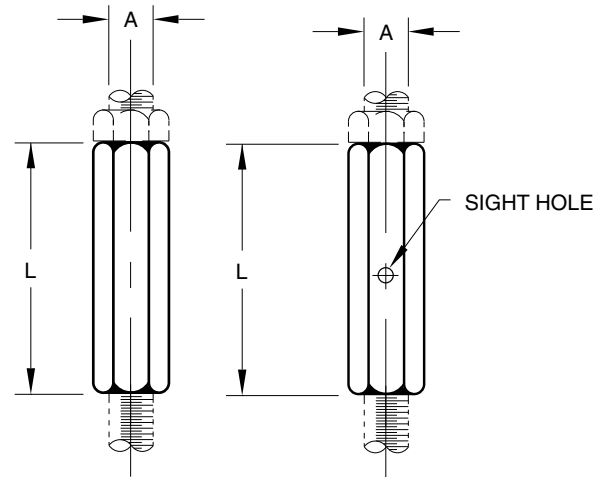


FIGURE 123

FIGURE 123W
(SIZES 3/8"
THROUGH 1")