

# EXTENSION RISER CLAMP

**Figure 126**

The Figure 126 is designed for the support or steadying of vertical pipe risers. It is made of carbon steel and is designed to hold tight to the pipe, transmitting the load to the structure through the ears on each end. When possible the clamp should be placed under a coupling, hub, or lugs welded to the pipe.

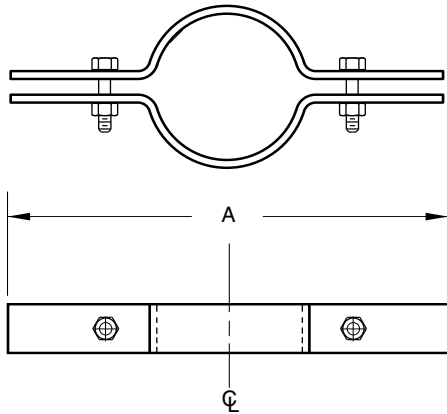
**NOTE:** This product is not designed to be supported with rods. Use our Figure 124 when hanger rods are required. Install using the maximum suggested torque values shown in the Technical Section of this catalog.

**Material:** Carbon Steel.

**Compliance:** Federal Specification A-A-1192A Type 8, MSS-SP-69 (Type 8) and BSPSS-BS3974.

**Finish:** Plain, Painted, Electro-Galvanized, Hot-Dip Galvanized.

**Ordering:** Specify figure number, finish, and pipe size. For Metric applications specify M126.



DIMENSIONS	TEMPERATURE	LOADS	WEIGHT
INCHES	FAHRENHEIT	POUNDS	POUNDS
MILLIMETERS	CELSIUS	NEWTONS	KILOGRAMS

**FIGURE 126 – EXTENSION RISER CLAMP**

PIPE SIZE	MAXIMUM LOAD	A	WEIGHT EACH
1/2	255	9	1.00
15	1134	229	0.45
3/4	255	9 3/8	1.08
20	1134	238	0.49
1	255	9 3/8	1.08
25	1134	238	0.49
1 1/4	255	10	1.16
32	1134	254	0.52
1 1/2	255	10 1/4	1.22
40	1134	260	0.55
2	255	10 3/4	1.30
50	1134	273	0.59
2 1/2	390	11 1/4	1.74
65	1735	286	0.79
3	530	12	1.98
80	2358	305	0.90
3 1/2	670	12 7/8	2.14
90	2980	327	0.97
4	810	13 5/8	2.28
100	3603	346	1.03
5	1160	13 3/4	3.60
125	5160	349	1.63
6	1570	15 1/4	3.68
150	6984	387	1.67
8	2500	18 1/2	7.26
200	11121	470	3.29
10	2500	20 3/4	11.00
250	11121	527	4.99
12	2700	22 3/4	15.94
300	12011	578	7.23
14	2700	24	17.36
350	12011	610	7.87
16	2900	26	29.68
400	12900	660	13.46
18	2900	28	31.64
450	12900	711	14.35
20	2900	30	34.84
500	12900	762	15.80
24	2900	34	50.00
600	12900	864	22.68

## COPPER RISER CLAMP

**Figure 126CT**

The Figure 126CT is normally used for the support of uninsulated vertical tubing where no movement will occur. Please use our Figure 126 for carbon steel piping or Figure 126PVC for plastic coating requirements.

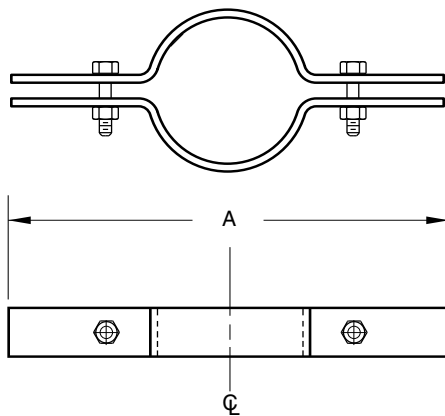
NOTE: This product is not designed to be supported with rods. Install using the maximum suggested torque values shown in the Technical Section of this catalog.

**Material:** Carbon Steel.

**Compliance:** Federal Specification A-A-1192A Type 8, MSS-SP-69 Type 8.

**Finish:** Copper.

**Ordering:** Specify tubing size and figure number. For Metric applications specify Figure M126CT.



**FIGURE 126CT – COPPER EXTENSION RISER CLAMP**

TUBE SIZE	MAXIMUM LOAD	A	WEIGHT EACH
½	220	9⅞	0.70
15	979	233	0.32
¾	220	9⅞	0.74
20	979	233	0.34
1	220	9⅞	0.75
25	979	241	0.34
1¼	220	9¾	0.77
32	979	248	0.35
1½	220	10⅝	0.80
40	979	257	0.36
2	220	10½	0.84
50	979	6532	0.38
2½	390	11	1.60
65	1735	279	0.73
3	530	11¾	1.80
80	2358	295	0.82
3½	530	12¾	1.95
90	2358	321	0.88
4	530	13¾	2.04
100	2358	333	0.93
5	810	14	3.50
125	3603	356	1.59
6	1570	15	5.25
150	6984	381	2.38

## PVC COATED RISER CLAMP

**Figure 126PVC**

The Figure 126PVC is normally used for the support of uninsulated vertical piping where no movement will occur. PVC coating the contact surface prevents galvanic corrosion with the pipe. Please use our Figure 126 for carbon steel piping or Figure 126CT for copper tubing requirements.

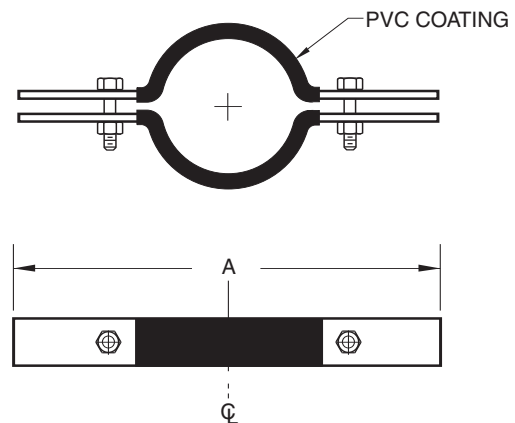
NOTE: This product is not designed to be supported with rods. Install using the maximum suggested torque values shown in the Technical Section of this catalog.

**Material:** Carbon Steel.

**Compliance:** Federal Specification A-A-1192A Type 8, MSS-SP-69 Type 8. Operating temperature should not exceed 1400° F / 600° C.

**Finish:** Polyvinyl Chloride

**Ordering:** Specify pipe size and figure number. For Metric applications Specify Figure M126PVC. A completely PVC coated Figure 126 is available upon request. (Bolts and nuts will not be PVC coated.)



**FIGURE 126PVC – PLASTIC COATED EXTENSION RISER CLAMP**

PIPE SIZE	MAXIMUM LOAD	A	WEIGHT EACH
½	225	9⅞	1.30
15	1001	238	0.59
¾	225	9⅞	1.36
20	1001	238	0.62
1	225	9⅞	1.38
25	1001	244	0.63
1¼	225	10	1.95
32	1001	254	0.88
1½	225	10⅝	2.01
40	1001	264	0.91
2	225	10½	2.17
50	1001	6694	0.98
2½	390	11¼	2.29
65	1735	286	1.04
3	530	12	2.50
80	2358	305	1.13
4	810	13¾	3.42
100	3603	343	1.55

DIMENSIONS		TEMPERATURE	LOADS	WEIGHT
INCHES	FAHRENHEIT	POUNDS	POUNDS	
MILLIMETERS	CELSIUS	NEWTONS	KILOGRAMS	

## PIPE ATTACHMENTS

### PLASTIC PIPE RISER CLAMP

#### Figure 126LD

#### Figure 126LD PVC

The Figure 126LD is designed for the support or steadying of vertical PVC pipe risers for DWV applications. It is designed to hold tight to the pipe, transmitting the load to the structure through the ears on each end. When possible the clamp should be placed under a coupling, hub, or lugs welded to the pipe. For heavier loads please see our Figure 126. The Figure 126LD PVC is completely PVC coated.

NOTE: This product is not designed to be supported with rods.

**Materials:** Carbon Steel.

**Finish:** Plain, Painted, Electro-Galvanized, Hot-Dip Galvanized, PVC.

**Compliance:** Federal Specification A-A-1192 Type 8, MSS-SP-69 (Type 8) and BSPSS-BS3974.

**Ordering:** Specify pipe size, figure number, and finish. For Metric applications specify M126LD or M126LD PVC.

FIGURE 126LD – RISER CLAMP  
FIGURE 126LD – PVC RISER CLAMP

PIPE SIZE	MAXIMUM LOAD	A	WEIGHT EACH
1½	225	5¼	0.62
40	1001	146	0.28
2	225	6½	0.67
50	1001	3710	0.30
3	225	7¼	0.88
80	1001	184	0.40
4	225	8½	1.01
100	1001	216	0.46

