

# RODS AND ROD ATTACHMENTS

## EYE SOCKET

### Figure 12

#### Figure 12CT (Copper Finish)

The Figure 12 is designed for attaching a rod to split ring type clamps. Figure 12CT is only available in 1/4", 3/8", and 1/2" rod sizes.

**Material:** Malleable Iron.

**Compliance:** Federal Specification WW-H-171E Type 16, MSS-SP-69 (Type 16).

**Finish:** Plain, Copper.

**Ordering:** Specify rod size and figure number. For Metric applications specify Figure M12 or M12CT.

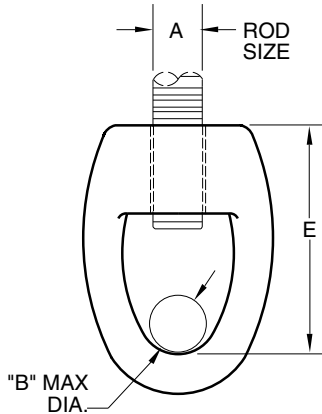


FIGURE 12 – EYE SOCKET

ROD SIZE A	MAX LOAD	MAX B	E	WEIGHT EACH
1/4	240	1/4	1 1/8	0.08
M6	1068	M6	35	0.04
3/8	610	1/4	1 1/8	0.08
M10	2714	M6	35	0.04
1/2	1000	1/4	1 1/16	0.11
M12	4448	M6	40	0.05
3/8	1400	3/8	1 3/4	0.22
M16	6228	M10	44	0.10
3/4	2200	1/2	2 1/4	0.30
M20	9786	M12	57	0.14
7/8	2300	1/2	2 7/16	0.32
M20	10231	M12	62	0.15

FIGURE 12CT – EYE SOCKET

ROD SIZE A	MAX LOAD	B	MAX SIZE C	WEIGHT EACH
1/4	240	1 1/8	1/4	0.08
M6	1068	35	M6	0.04
3/8	610	1 1/8	1/4	0.08
M10	2714	35	M6	0.04
1/2	1000	1 1/16	1/4	0.11
M12	4448	40	M6	0.05