

SIDE BEAM CONNECTOR

Figure 153 (Rod Tapped –
Electro-Galvanized or Painted)

Figure 153S (Rod Tapped, Steel –
Electro-Galvanized) ($\frac{3}{8}$ " Size Only)
Made in U.S.A.

The Figure 153 is designed for use on buildings of wood construction. They can be secured to the side of beams or joists by means of our Figure 166 Drive Screws (ordered separately).

Material: Malleable Iron, except Figure 153S which is carbon steel.

Finish: Plain, Electro-Galvanized.

Ordering: Specify size, figure number, and finish.

For Metric applications specify Figure M153, M153S.

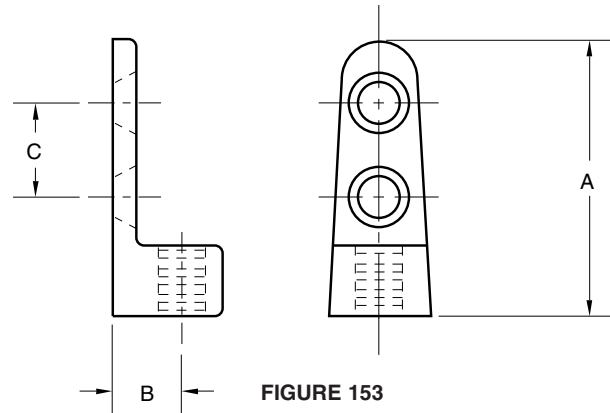


FIGURE 153

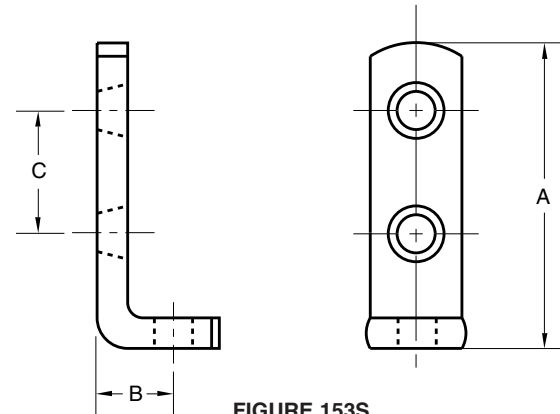


FIGURE 153S

FIGURE 153 – SIDE BEAM CONNECTOR

SIZE	MAX LOAD	A	B	C	WGT. EACH
$\frac{3}{8}$ ROD	250	$2\frac{3}{4}$	$\frac{5}{16}$	$\frac{3}{4}$	0.13
M10 ROD	1112	60	14	19	0.06
$\frac{1}{2}$ ROD	480	$2\frac{3}{4}$	$\frac{3}{4}$	$\frac{3}{4}$	0.25
M12 ROD	2135	70	19	19	0.11
$\frac{1}{4}$ PIPE	250	$2\frac{3}{4}$	$\frac{3}{4}$	$\frac{3}{4}$	0.25
M8 PIPE	1112	70	19	19	0.11

FIGURE 153S – SIDE BEAM CONNECTOR

SIZE	MAX LOAD	A	B	C	WGT. EACH
$\frac{3}{8}$ ROD	250	$2\frac{1}{2}$	$\frac{5}{16}$	1	0.15
M10 ROD	1112	64	14	25	0.07