

## EXTENSION PIECE

**Figure 157**

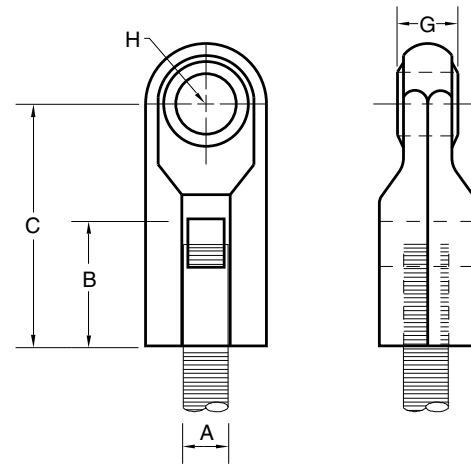
The Figure 157 is designed for attaching rods to the Figure 82 Beam Clamp and similar types of attachments.

**Material:** Malleable Iron.

**Compliance:** Federal Specification A-A-1192A Type 30, MSS-SP-69 Type 30 when used with a Figure 82.

**Finish:** Plain, Painted, Electro-Galvanized.

**Ordering:** Specify rod size, figure number, and finish. Order Figure 82 separately, if required. For Metric applications specify Figure M157.



**FIGURE 157 – EXTENSION PIECE**

ROD SIZE A	MAX LOAD	B	C	G	H	WEIGHT EACH
$\frac{3}{8}$	610	$1\frac{1}{4}$	$2\frac{1}{8}$	$\frac{1}{2}$	$\frac{1}{2}$	0.20
M10	2714	32	54	13	13	0.09
$\frac{1}{2}$	1130	$1\frac{3}{8}$	$2\frac{3}{8}$	$\frac{3}{8}$	$\frac{1}{2}$	0.40
M12	5027	35	60	16	13	0.18
$\frac{3}{8}$	1810	$1\frac{1}{2}$	$2\frac{1}{2}$	$\frac{3}{8}$	$\frac{1}{2}$	0.44
M16	8052	38	64	16	13	0.20
$\frac{1}{4}$	2710	$1\frac{1}{4}$	$2\frac{3}{8}$	$\frac{3}{8}$	$\frac{1}{2}$	0.65
M20	12055	44	73	16	13	0.29
$\frac{7}{8}$	2950	$1\frac{3}{8}$	3	$\frac{3}{4}$	$\frac{9}{16}$	0.78
M20	13123	48	76	19	14	0.35

DIMENSIONS		TEMPERATURE	LOADS	WEIGHT
INCHES	FAHRENHEIT	POUNDS	POUNDS	
MILLIMETERS	CELSIUS	NEWTONS	KILOGRAMS	