

PURLIN CLAMP

Figure 290

Designed to attach directly to steel purlins. Maximum Pipe Size is 4".

Material: Malleable Iron with hardened steel cup point set screw.

Finish: Plain, Electro-Galvanized.

Ordering: Specify figure number. For Metric applications specify Figure M290.

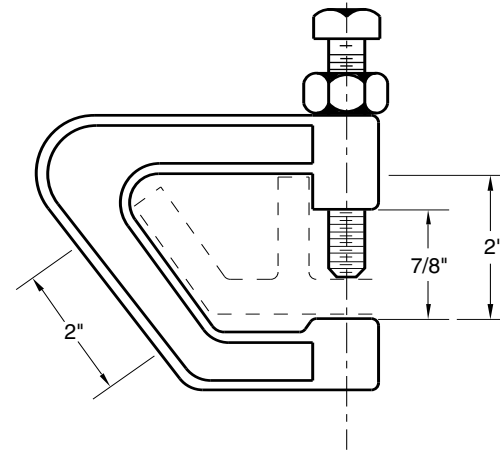


FIG. 290 – PURLIN CLAMP

ROD SIZE	MAXIMUM LOAD	WEIGHT EACH
3/8	400	0.82
M10	1779	0.37

DIMENSIONS	TEMPERATURE	LOADS	WEIGHT
INCHES	FAHRENHEIT	POUNDS	POUNDS
MILLIMETERS	CELSIUS	NEWTONS	KILOGRAMS