

## HINGE HANGER

**Figure 34**

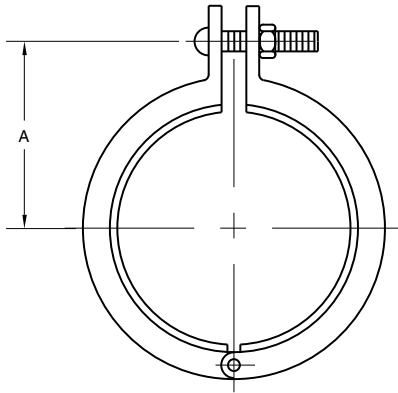
Designed to support non-insulated, stationary lines from above. The hinged design is easier to install making it ideal for retrofit needs. The Figure 38 Hanger Adjustor is commonly used to connect to this part. For Copper Tubing please see the Figure 34CT.

**Material:** Malleable Iron.

**Compliance:** Federal Specification A-A-1192A Type 11, MSS-SP-69 Type 11.

**Finish:** Plain, Painted, Electro-Galvanized.

**Ordering:** Specify pipe size, figure number, and finish. For Metric applications specify Figure M34.



**FIGURE 34 – HINGE HANGER**

PIPE SIZE	MAX LOAD	A	WEIGHT EACH
3/8	200	3/4	0.07
10	890	19	0.03
1/2	200	15/16	0.08
15	890	24	0.04
3/4	300	1 1/8	0.11
20	1335	29	0.05
1	300	1 1/4	0.12
25	1335	32	0.05
1 1/4	300	1 1/2	0.17
32	1335	40	0.08
1 1/2	300	1 5/8	0.20
40	1335	43	0.09
2	300	2 1/8	0.32
50	1335	52	0.15
2 1/2	450	2 1/4	0.43
65	2002	57	0.20
3	450	2 3/4	0.67
80	2002	70	0.30
3 1/2	450	3 1/8	0.86
90	2002	79	0.39
4	520	3 1/4	0.93
100	2313	92	0.42
5	520	4 1/2	1.52
125	2313	114	0.69
6	1300	5 1/8	2.64
150	5783	138	1.20
8	1800	6 3/8	3.84
200	8007	162	1.74

## HINGE HANGER FOR COPPER TUBING

**Figure 34CT**

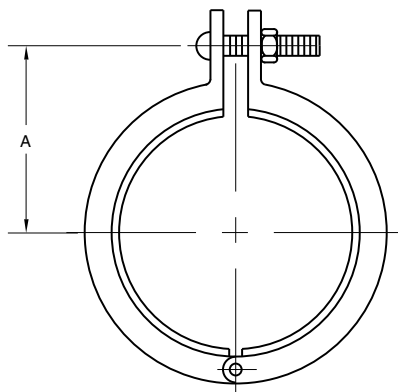
Designed to support non-insulated, stationary lines from above. The hinged design is easier to install making it ideal for retrofit needs. The Figure 38CT Hanger Adjustor is commonly used to connect to this part. For piping sizes please see the Figure 34.

**Material:** Malleable Iron.

**Compliance:** Federal Specification A-A-1192A Type 11, MSS-SP-69 Type 11.

**Finish:** Copper.

**Ordering:** Specify tubing size and figure number. For Metric applications specify Figure M34CT.



**FIGURE 34CT – HINGE HANGER for Copper Tubing**

TUBE SIZE	MAX LOAD	A	WEIGHT EACH
1/2	200	3/4	0.08
15	890	19	0.04
3/4	300	7/8	0.10
20	1335	22	0.05
1	300	1 1/8	0.12
25	1335	29	0.05
1 1/4	300	1 1/4	0.14
32	1335	32	0.06
1 1/2	300	1 3/8	0.18
40	1335	35	0.08
2	300	1 5/8	0.26
50	1335	43	0.12
2 1/2	450	1 5/8	0.38
65	2002	49	0.17
3	450	2 1/4	0.49
80	2002	57	0.22
3 1/2	450	2 3/4	0.64
90	2002	67	0.29
4	520	2 5/8	0.88
100	2313	75	0.40

DIMENSIONS		TEMPERATURE	LOADS	WEIGHT
INCHES	FAHRENHEIT		POUNDS	POUNDS
MILLIMETERS	CELSIUS		NEWTONS	KILOGRAMS