

## ROLLER CHAIR

**Figure 54**

The Figure 54 is designed for longitudinal movement of pipe where vertical adjustment is not required. Although two bolts are supplied for installation the chair can be alternatively welded in position

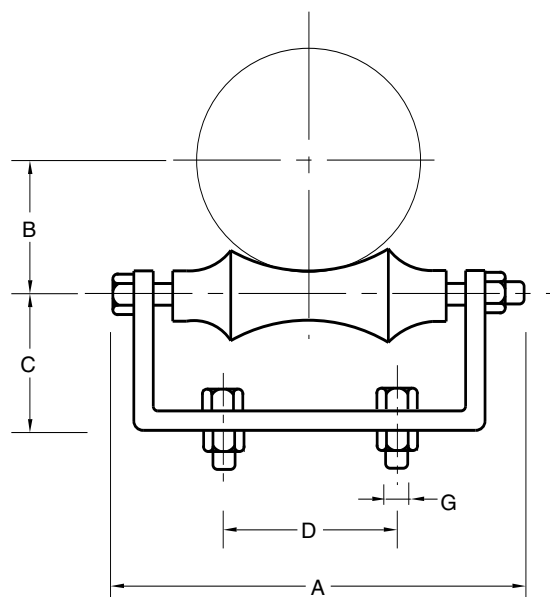
**Material:** Carbon Steel Chair and Axle with Cast Iron Pipe Roll. Use a Figure 17 when a Cast Iron Chair is required. Do not exceed 450° F / 232° C at the contact point to the roll.

**Compliance:** A-A 1192A Type 44, MSS SP-69 Type 44.

**Finish:** Plain, Painted, Hot-Dip Galvanized.

For pipe with insulation and a pipe covering protection saddle the Figure 54 will have to be oversized to suit. Please see the Table for the Figure 142 which shows the correct sizing for insulated pipe.

**Ordering:** Specify pipe size, figure number, and finish. For Metric applications specify Figure M54.



**FIGURE 54 – ROLLER CHAIR**

PIPE SIZE	MAX LOAD	A	B	C	D	BOLT SIZE G	WEIGHT EACH
2	300	4 $\frac{1}{2}$	1 $\frac{1}{2}$	1 $\frac{1}{2}$	2	$\frac{3}{8}$ x 1 $\frac{1}{2}$	1.10
50	1335	124	41	38	51	M10 x 38	0.50
2 $\frac{1}{2}$	600	4 $\frac{1}{2}$	2	1 $\frac{1}{2}$	2	$\frac{3}{8}$ x 1 $\frac{1}{2}$	1.40
65	2669	124	51	41	51	M10 x 38	0.64
3	600	6	2 $\frac{1}{2}$	1 $\frac{1}{2}$	2	$\frac{3}{8}$ x 1 $\frac{1}{2}$	1.60
80	2669	152	57	44	51	M10 x 38	0.73
3 $\frac{1}{2}$	600	6 $\frac{1}{2}$	2 $\frac{5}{8}$	2 $\frac{1}{2}$	2	$\frac{3}{8}$ x 1 $\frac{1}{2}$	2.60
90	2669	165	67	54	51	M10 x 38	1.18
4	700	7	2 $\frac{7}{8}$	2 $\frac{3}{8}$	2 $\frac{1}{2}$	$\frac{3}{8}$ x 1 $\frac{1}{2}$	2.90
100	3114	178	73	60	64	M10 x 38	1.32
5	700	7 $\frac{3}{8}$	3 $\frac{1}{2}$	2 $\frac{1}{2}$	3	$\frac{1}{2}$ x 2	3.90
125	3114	194	89	64	76	M12 x 51	1.77
6	1000	9 $\frac{1}{4}$	4	2 $\frac{3}{4}$	3 $\frac{1}{4}$	$\frac{1}{2}$ x 2	6.00
150	4448	248	102	70	83	M12 x 51	2.72
8	1300	11 $\frac{1}{8}$	5 $\frac{1}{8}$	3	4 $\frac{1}{2}$	$\frac{5}{8}$ x 2	9.00
200	5783	302	130	76	114	M16 x 51	4.08
10	1700	14 $\frac{1}{2}$	6 $\frac{3}{8}$	3 $\frac{3}{8}$	5	$\frac{3}{4}$ x 2 $\frac{1}{2}$	13.80
250	7562	368	162	92	127	M20 x 64	6.26
12	2300	16 $\frac{1}{4}$	7 $\frac{1}{2}$	4 $\frac{1}{8}$	6	$\frac{3}{4}$ x 2 $\frac{1}{2}$	18.90
300	10231	413	191	105	152	M20 x 64	8.57
14	3100	18 $\frac{1}{2}$	8 $\frac{3}{8}$	4 $\frac{1}{4}$	6 $\frac{1}{2}$	$\frac{3}{4}$ x 2 $\frac{1}{2}$	28.10
350	13790	470	213	121	165	M20 x 64	12.70
16	3900	20	9 $\frac{3}{8}$	5 $\frac{1}{8}$	10	$\frac{7}{8}$ x 3	34.90
400	17349	508	238	137	254	M20 x 76	15.80
18	4200	22 $\frac{3}{4}$	10 $\frac{1}{2}$	6	9 $\frac{1}{4}$	$\frac{3}{4}$ x 2 $\frac{1}{2}$	44.40
450	18683	578	267	152	235	M20 x 64	20.10
20	4500	25 $\frac{1}{8}$	11 $\frac{1}{8}$	6 $\frac{1}{2}$	10 $\frac{1}{4}$	$\frac{3}{4}$ x 2 $\frac{1}{2}$	56.30
500	20018	651	295	165	260	M20 x 64	25.60
24	6000	30	14	7 $\frac{1}{8}$	12 $\frac{1}{4}$	$\frac{7}{8}$ x 3 $\frac{1}{2}$	87.50
600	26690	762	356	200	311	M20 x 102	39.70

DIMENSIONS		TEMPERATURE	LOADS	WEIGHT
INCHES	FAHRENHEIT	POUNDS	POUNDS	
MILLIMETERS	CELSIUS	NEWTONS	KILOGRAMS	