

## PIPE ROLLS

### ROLL AND PLATE

**Figure 63**

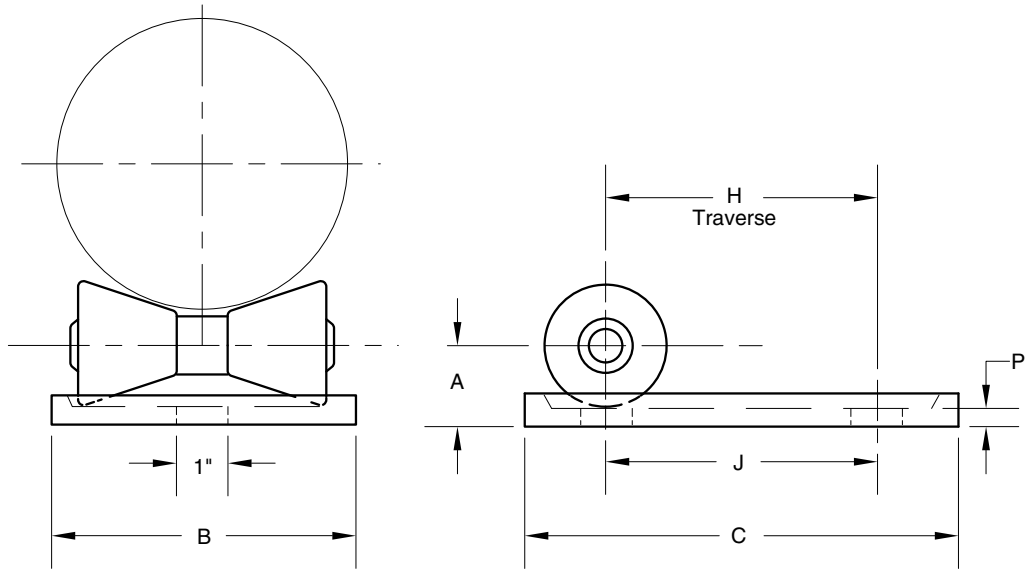
The plate is made of steel with holes for anchoring to piers. It is used for supporting pipe lines where vertical adjustment is not required.

**Material:** Steel Plate, Cast Iron Roll. Do not exceed 450° F / 232° C at the contact point to the roll.

**Compliance:** A-A 1192A Type 45, MSS SP-69 Type 45.

**Finish:** Plain, Painted, Hot-Dip Galvanized.

**Ordering:** Specify plate number and figure number.



**FIGURE 63 – ROLL AND PLATE**

PLATE NO.	PIPE SIZES	MAXIMUM LOAD	A	B	C	H	J	P	WEIGHT EACH
1A	2-3	390	1¼	3¼	6¾	4¾	3¾	⅝	3.16
1A	50 - 80	177	32	79	162	111	98	8	1.43
1	4-6	950	1¾	4¾	7¾	5¼	4¾	⅝	4.75
1	100 - 150	431	35	105	187	133	121	8	2.15
2	8-10	2100	2	6½	8½	5¾	5¼	⅜	11.4
2	200 - 250	953	51	165	216	137	146	10	5.17
3	12-14	3075	2½	8¾	9¾	6¼	6½	⅜	21.9
3	300 - 350	1395	64	219	244	159	165	10	9.93
4	16-20	4980	2¾	9¾	10¾	7	7½	½	28.2
4	400 - 500	2259	70	244	270	178	191	13	12.8
5	24	6100	2¾	10¾	11¾	8	8½	⅝	38.9
5	600	2767	73	273	298	203	216	16	17.6
6	30	7500	3¾	13½	13	8½	9½	⅝	59.0
6	750	3402	86	343	330	216	241	16	26.7

DIMENSIONS		TEMPERATURE	LOADS	WEIGHT
INCHES	FAHRENHEIT		POUNDS	POUNDS
MILLIMETERS	CELSIUS		NEWTONS	KILOGRAMS