

PIPE ATTACHMENTS

EXTENSION RING HANGER

Figure 81 (Rod Tapped – Electro-Galvanized)

Figure 81BRT (Rod Tapped – Plain Finish)

Figure 81PT (Pipe Tapped – Electro-Galvanized)

Figure 81SG (Two Bolt, Rod Tapped, Domestic – Electro-Galvanized)

This split ring hanger is designed for the support of non-insulated stationary pipe lines. Also available in a two screw design. The Figure 85 or 85CT Ceiling Plate is normally used with this product.

Material: Malleable Iron, except Figure 81SG and 81SCT which are carbon steel.

Finish: Plain, Electro-Galvanized. For Copper Coating please see Figure 81CT or Figure 81SCT.

Compliance: Federal Specification A-A-1192A Type 12, MSS-SP-69 Type 12.

Ordering: Specify pipe size and figure number. For Metric applications specify Figure M81, M81BRT, M81PT, M81SG or 81SCT.

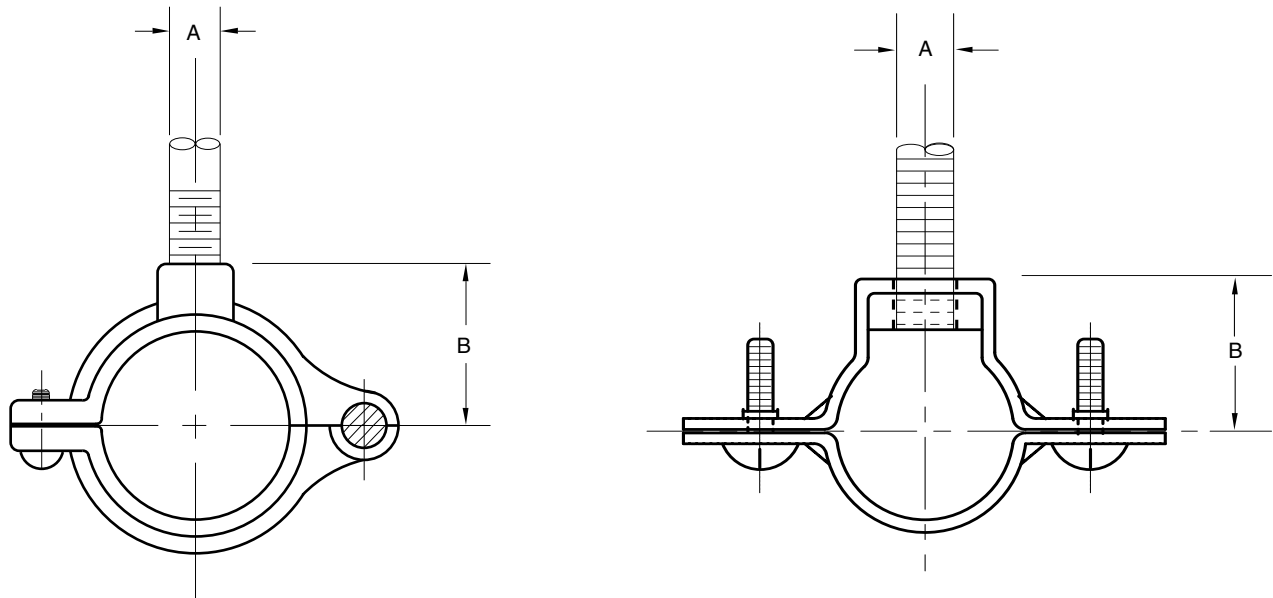


FIGURE 81 AND 81SG – EXTENSION HANGER RING

PIPE SIZE	MAX LOAD	PIPE SIZE A	ROD SIZE A	FIGURE 81	FIGURE 81SG	WEIGHT EACH	
				B	B	FIG. 81	FIG. 81SG
3/8	180	1/4	3/8	13/16		0.16	
10	801	8	M10	21		0.07	
1/2	180	1/4	3/8	7/8	23/32	0.17	0.10
15	801	8	M10	22	18	0.08	0.05
3/4	180	1/4	3/8	1	13/16	0.20	0.11
20	801	8	M10	25	21	0.09	0.05
1	180	1/4	3/8	1 1/8	31/32	0.21	0.12
25	801	8	M10	29	25	0.10	0.05
1 1/4	180	1/4	3/8	1 1/16	1 1/8	0.29	0.13
32	801	8	M10	33	29	0.13	0.06
1 1/2	180	1/4	3/8	1 1/16	1 1/4	0.31	0.14
40	801	8	M10	37	32	0.14	0.06
2	180	1/4	3/8	1 11/16	1 1/2	0.35	0.16
50	801	8	M10	43	38	0.16	0.07
2 1/2	480	1/2	1/2	2 1/2		0.57	
65	2135	15	M12	54		0.26	
3	480	1/2	1/2	2 1/16		0.72	
80	2135	15	M12	62		0.33	
4	480	1/2	1/2	3 1/2		1.16	
100	2135	15	M12	81		0.53	

DIMENSIONS		TEMPERATURE	LOADS	WEIGHT
INCHES	FAHRENHEIT		POUNDS	POUNDS
MILLIMETERS	CELSIUS		NEWTONS	KILOGRAMS

COPPER EXTENSION RING HANGER

Figure 81CT

Figure 81SCT (Domestic)

This split ring hanger is designed for the support of non-insulated copper tubing lines. The Figure 81CT is furnished tapped for bolt thread and is used with the Figure 85CT Ceiling Plate. Also available in a two bolt design.

Material: Malleable Iron. Figure 81SCT is Carbon Steel.

Finish: Copper. For Electro-Galvanizing please see Figure 81.

Compliance: Federal Specification A-A-1192A Type12, MSS-SP-69 Type 12.

Ordering: Specify tube size and figure number. For Metric applications specify Figure M81CT or Figure M81SCT.

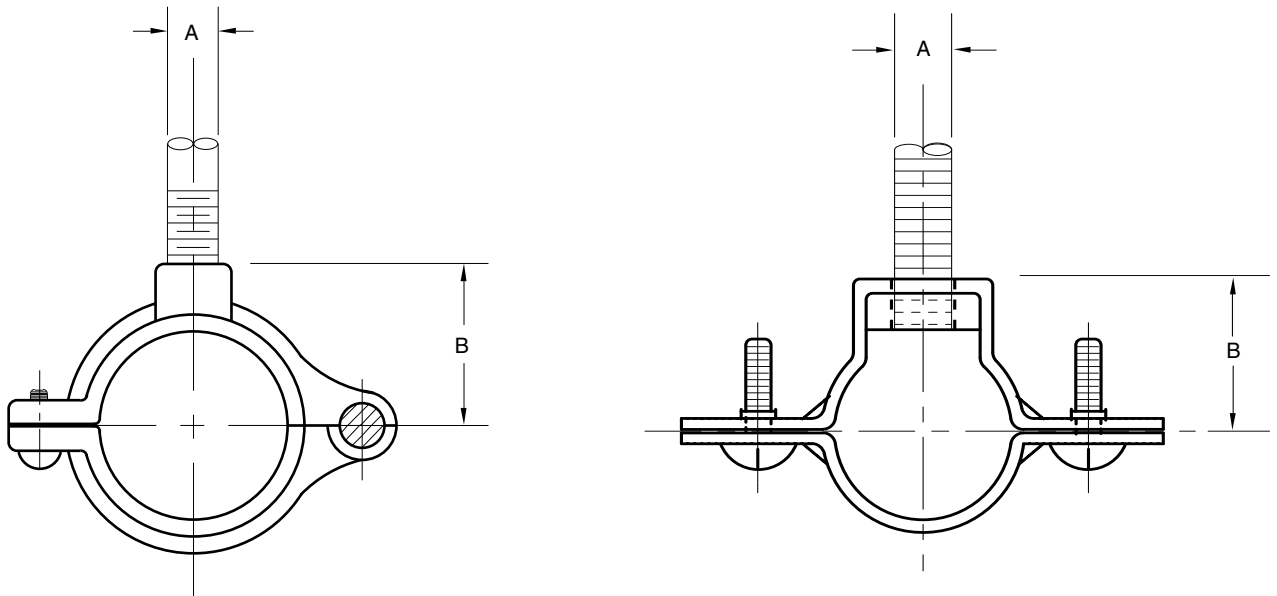


FIGURE 81CT AND 81SCT – COPPER EXTENSION HANGER RING

TUBE SIZE	MAX LOAD	ROD SIZE A	FIG. 81CT B	FIG 81SCT B	WEIGHT EACH	
					FIG. 81CT	FIG 81SCT
¼	180	⅜	⅝		0.06	
8	801	M10	16		0.03	
⅝	180	⅜	⅝		0.08	
10	801	M10	16		0.04	
½	180	⅝	¾	1½	0.08	0.09
15	801	M10	19	15	0.04	0.04
¾	180	⅝	⅞	2½	0.10	0.10
20	801	M10	22	18	0.05	0.05
1	180	⅝	1	2½	0.12	0.11
25	801	M10	25	21	0.05	0.05
1½	180	⅝	1¼	1	0.14	0.12
32	801	M10	32	25	0.06	0.05
1½	180	⅝	1¼	1½	0.18	0.13
40	801	M10	32	28	0.08	0.06
2	180	⅝	1½	1½	0.24	0.15
50	801	M10	38	34	0.11	0.07
2½	480	½	2		0.38	
65	2135	15	51		0.17	
3	480	½	2¼		0.48	
80	2135	15	57		0.22	
4	480	½	2¼		0.68	
100	2135	15	70		0.31	

DIMENSIONS		TEMPERATURE	LOADS	WEIGHT
INCHES	FAHRENHEIT	POUNDS	POUNDS	
MILLIMETERS	CELSIUS	NEWTONS	KILOGRAMS	