

## COPPER EXTENSION RING HANGER

### Figure 81CT

### Figure 81SCT (Domestic)

This split ring hanger is designed for the support of non-insulated copper tubing lines. The Figure 81CT is furnished tapped for bolt thread and is used with the Figure 85CT Ceiling Plate. Also available in a two bolt design.

**Material:** Malleable Iron. Figure 81SCT is Carbon Steel.

**Finish:** Copper. For Electro-Galvanizing please see Figure 81.

**Compliance:** Federal Specification A-A-1192A Type12, MSS-SP-69 Type 12.

**Ordering:** Specify tube size and figure number. For Metric applications specify Figure M81CT or Figure M81SCT.

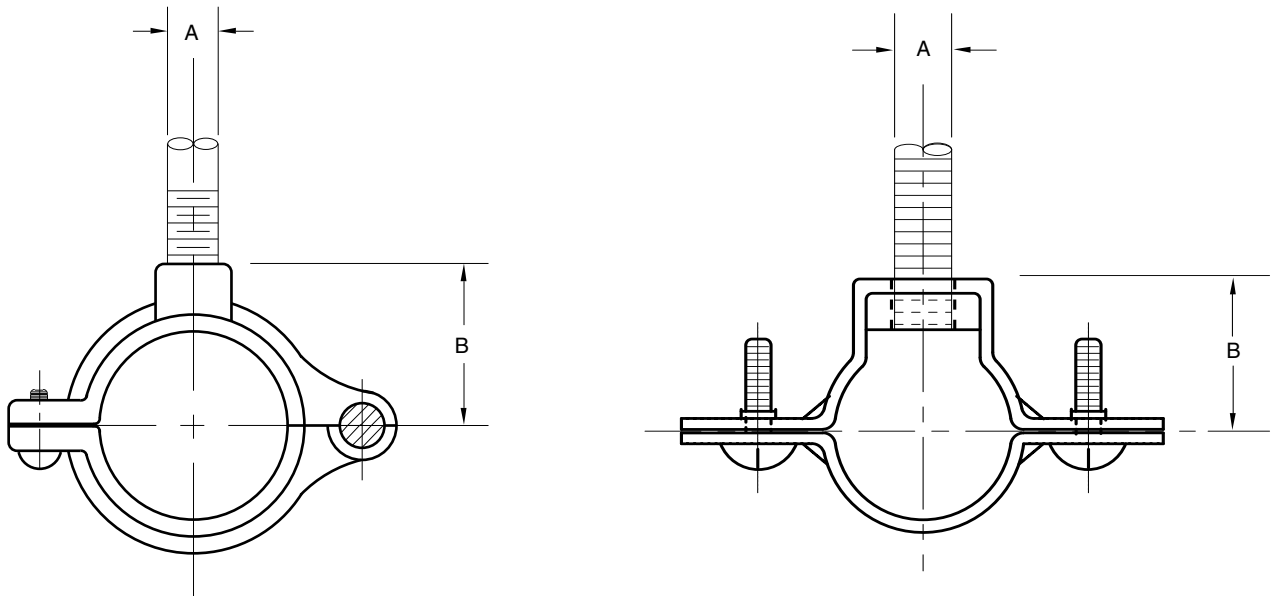


FIGURE 81CT AND 81SCT – COPPER EXTENSION HANGER RING

TUBE SIZE	MAX LOAD	ROD SIZE A	FIG. 81CT B	FIG 81SCT B	WEIGHT EACH	
					FIG. 81CT	FIG 81SCT
¼	180	⅜	⅝		0.06	
8	801	M10	16		0.03	
⅝	180	⅜	⅝		0.08	
10	801	M10	16		0.04	
½	180	⅝	¾	1½	0.08	0.09
15	801	M10	19	15	0.04	0.04
¾	180	⅝	⅞	2½	0.10	0.10
20	801	M10	22	18	0.05	0.05
1	180	⅝	1	2½	0.12	0.11
25	801	M10	25	21	0.05	0.05
1½	180	⅝	1¼	1	0.14	0.12
32	801	M10	32	25	0.06	0.05
1½	180	⅝	1¼	1½	0.18	0.13
40	801	M10	32	28	0.08	0.06
2	180	⅝	1½	1½	0.24	0.15
50	801	M10	38	34	0.11	0.07
2½	480	½	2		0.38	
65	2135	15	51		0.17	
3	480	½	2¼		0.48	
80	2135	15	57		0.22	
4	480	½	2¼		0.68	
100	2135	15	70		0.31	

DIMENSIONS		TEMPERATURE	LOADS	WEIGHT
INCHES	FAHRENHEIT	POUNDS	POUNDS	
MILLIMETERS	CELSIUS	NEWTONS	KILOGRAMS	