

## BEAM CLAMPS

### ADJUSTABLE BEAM CLAMP

**Figure 82**

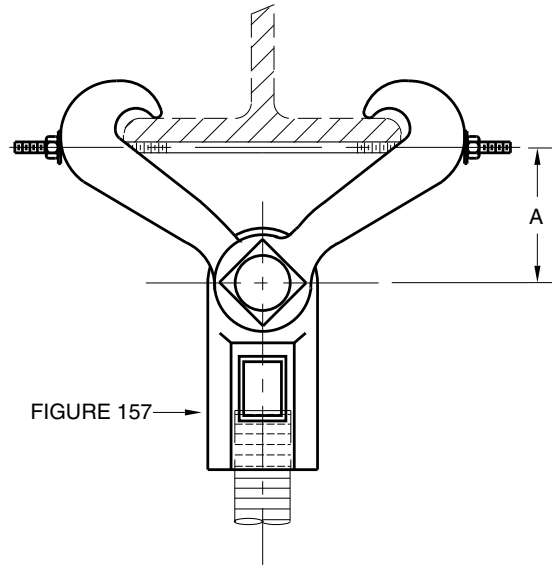
The Figure 82 is designed to be attached to the bottom of flanged beams without requiring welding. Normally used with the Figure 157 Extension Piece (Not Furnished) up to a maximum 7/8" (M20) rod diameter. Loading is achieved through the clamp jaws while locking is accomplished by tightening the through-bolt located directly below the flange. Maximum flange thickness is 0.60 inches.

**Material:** Malleable Iron.

**Compliance:** Federal Specification A-A-1192A Type 30, MSS-SP-69 Type 30 when used with a Figure 157.

**Finish:** Plain, Painted, Hot-Dip Galvanized.

**Ordering:** Specify figure number, and finish. Order Figure 157 separately, if required. For Metric applications specify Figure M82.



**FIGURE 82 – ADJUSTABLE BEAM CLAMP**

MAXIMUM ROD SIZE	MAXIMUM LOAD	ROD TAKE OUT BEAM FLANGE WIDTH – B						WEIGHT EACH
		2 3/8 60	3 76	4 101	5 127	6 152	7 177	
3/8	610	3 1/2	3 1/16	3 5/16	2 15/16	2 3/16	1 7/8	1.91
M10	2714	89	87	84	75	65	48	0.87
1/2	1130	3 1/2	3 1/16	3 3/16	2 15/16	2 3/16	1 7/8	2.11
M12	5027	89	87	84	75	65	48	0.96
5/8	1365	3 1/2	3 1/16	3 3/16	2 15/16	2 3/16	1 7/8	2.15
M16	6072	89	87	84	75	65	48	0.98
3/4	1365	3 1/2	3 1/16	3 5/16	2 15/16	2 3/16	1 7/8	2.36
M20	6072	89	87	84	75	65	48	1.07
7/8	1365	3 1/2	3 1/16	3 3/16	2 15/16	2 3/16	1 7/8	2.49
M20	6072	89	87	84	75	65	48	1.13

DIMENSIONS		TEMPERATURE	LOADS	WEIGHT
INCHES	FAHRENHEIT		POUNDS	POUNDS
MILLIMETERS	CELSIUS		NEWTONS	KILOGRAMS