

# MEDIUM WELDED STEEL BRACKET

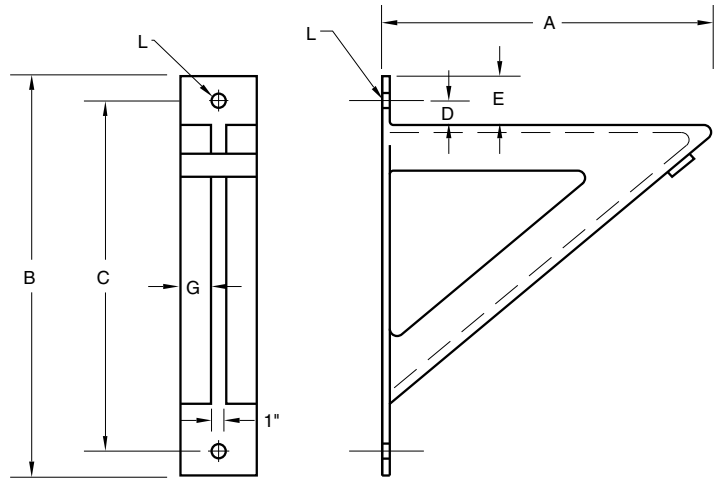
**Figure 84**

The Figure 84 is designed to support pipe from either above or below. Slotted construction allows for drop rod use along the length of the bracket. This bracket is for bolted installation to walls and may require a backing plate. Special steel brackets can be fabricated to customer's loads and/or dimensions.

**Compliance:** A-A-1192A Type 32, MSS-SP 69 Type 32.

**Finish:** Plain, Painted, Hot-Dip Galvanized.

**Ordering:** Specify size number, figure number, and finish. For Metric applications specify Figure M84.



**FIGURE 84 – MEDIUM WELDED STEEL BRACKET**

SIZE	MAX LOAD	A	B	C	D	E	G	L	WGT EACH
0	1500	12	18	15½	1¼	2½	1¼	⅜	15.50
0	6673	305	457	394	32	64	32	21	7.03
1	1500	18	24	21½	1¼	2½	1½	⅜	24.70
1	6673	457	610	546	32	64	38	21	11.20
2	1500	24	30	27½	1¼	2½	1½	⅜	37.70
2	6673	610	762	699	32	64	38	21	17.10

DIMENSIONS		TEMPERATURE	LOADS	WEIGHT
INCHES	FARENHEIT	POUNDS	POUNDS	
MILLIMETERS	CELSIUS	NEWTONS	KILOGRAMS	