

SPLIT RING HANGER – DOUBLE TAPPING

Figure 90 (Rod Tapped – Electro-galvanized)

Figure 90CT (Rod Tapped – Copper Finish)

Figure 90PT (Pipe Tapped – Electro-galvanized)

This split ring hanger is designed for the support of non-insulated stationary pipe lines, one pipe line under the other, by means of a pipe nipple or threaded rods. The Figure 85 or 85CT Ceiling Plate is normally used with this product.

The combined loads for all hangers used must not exceed the rating of the structural attachment.

Material: Malleable Iron.

Finish: Electro-galvanized. For Copper Coating please see Figure 90CT.

Ordering: Specify pipe size, bolt or pipe thread, and figure number. For Metric applications specify Figure M90.

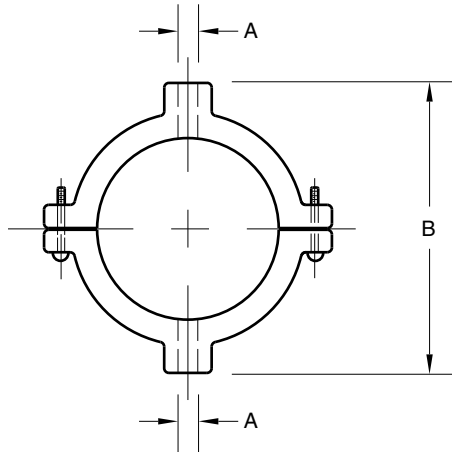


FIGURE 90 – SPLIT RING HANGER - DOUBLE TAPPING

PIPE SIZE	MAX LOAD	ROD SIZE	A BOLT SIZE	B	WEIGHT EACH
3/8	180	1/4	3/8	1 7/8	0.16
10	801	8	M10	48	0.07
1/2	180	1/4	3/8	2	0.17
15	801	8	M10	51	0.08
3/4	180	1/4	3/8	2 1/4	0.20
20	801	8	M10	57	0.09
1	180	1/4	3/8	2 1/2	0.21
25	801	8	M10	64	0.10
1 1/4	180	1/4	3/8	2	0.29
32	801	8	M10	51	0.13
1 1/2	180	1/4	3/8	3 3/8	0.31
40	801	8	M10	79	0.14
2	180	1/4	3/8	3 3/8	0.35
50	801	8	M10	92	0.16
2 1/2	460	1/2	1/2	4 1/2	0.57
65	2046	15	M12	114	0.26
3	460	1/2	1/2	5 3/8	0.72
80	2046	15	M12	130	0.33
4	460	1/2	1/2	6 3/8	1.16
100	2046	15	M12	168	0.53

DIMENSIONS		TEMPERATURE	LOADS	WEIGHT
INCHES	FAHRENHEIT		POUNDS	POUNDS
MILLIMETERS	CELSIUS		NEWTONS	KILOGRAMS