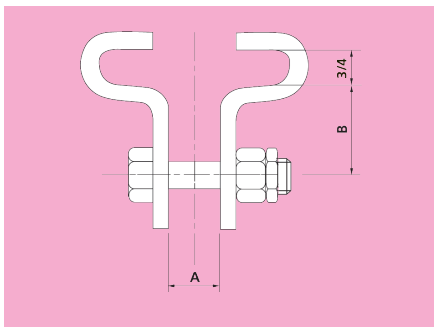


## 116 BEAM CLAMP



*Material: Carbon Steel Order by Part No. & Beam Size*

PART No.	FLANGE WIDTH	STEEL SIZE	A	B	BOLT SIZE	LOAD CAPACITY	
						lbs	kip
F116-1	2.48 - 5.98	1.4x0.3	0.39	1.57	3/4	794	0.794
	7.99 max.	1.8x0.4					
F116-2	2.48 - 5.98	1.6x0.4	0.47	1.57	1/2	1102	1.102
	7.99 max.	1.8x0.4					
F116-3	2.48 - 5.98	1.8x0.4	0.63	1.77	5/8	1433	1.433
	7.99 max.	2.4x0.4					
F116-4	2.48 - 7.01	2.2x0.5	0.79	2.17	3/4	1984	1.984
	10 max.	2.8x0.5					
F116-5	2.48 - 7.01	2.8x0.5	0.79	2.56	3/4	2646	2.646
	10 max.	2.4x0.6					
F116-6	2.48 - 7.01	2.4x0.6	0.79	2.56	3/4	3417	3.417
	10 max.	3.1x0.6					