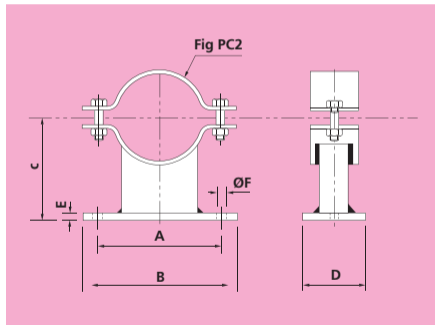


342 OFFSET PIPE CLAMP -20°C TO 350°C



Material: Carbon Steel

PART No.	PIPE SIZE	A	B	C	D	E	F	LOAD CAPACITY	
								kgf	kN
F342-15	15	60	100	55	35	5	12	280	2.7
F342-20	20	70	110	55	35	5	12	280	2.7
F342-25	25	70	110	60	35	5	12	280	2.7
F342-32	32	80	120	70	35	8	14	280	2.7
F342-40	40	90	130	80	35	8	14	280	2.7
F342-50	50	100	140	85	35	8	14	280	2.7
F342-65	65	110	160	90	45	10	18	450	4.4
F342-80	80	120	170	95	45	10	18	450	4.4
F342-100	100	140	190	110	45	10	18	450	4.4
F342-125	125	160	210	120	45	10	18	450	4.4
F342-150	150	180	230	135	45	10	18	450	4.4
F342-200	200	220	270	160	60	10	18	520	5.1