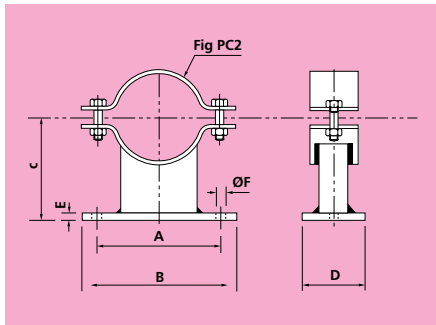


342 OFFSET PIPE CLAMP -4°F TO 662°F



Material: Carbon Steel

PART No.	PIPE SIZE	A	B	C	D	E	F	LOAD CAPACITY	
								lbs	kip
F342-15	1/2	2.37	3.94	2.17	1.38	0.2	0.48	617	0.62
F342-20	3/4	2.76	4.34	2.17	1.38	0.2	0.48	617	0.62
F342-25	1	2.76	4.34	2.37	1.38	0.2	0.48	617	0.62
F342-32	1 1/4	3.15	4.73	2.76	1.38	0.32	0.56	617	0.62
F342-40	1 1/2	3.55	5.12	3.15	1.38	0.32	0.56	617	0.62
F342-50	2	3.94	5.52	3.35	1.38	0.32	0.56	617	0.62
F342-65	2 1/2	4.34	6.3	3.55	1.78	0.4	0.71	992	0.99
F342-80	3	4.73	6.7	3.75	1.78	0.4	0.71	992	0.99
F342-100	4	5.52	7.49	4.34	1.78	0.4	0.71	992	0.99
F342-125	5	6.3	8.27	4.73	1.78	0.4	0.71	992	0.99
F342-150	6	7.09	9.06	5.32	1.78	0.4	0.71	992	0.99
F342-200	8	8.67	10.63	6.3	2.37	0.4	0.71	1146	1.15