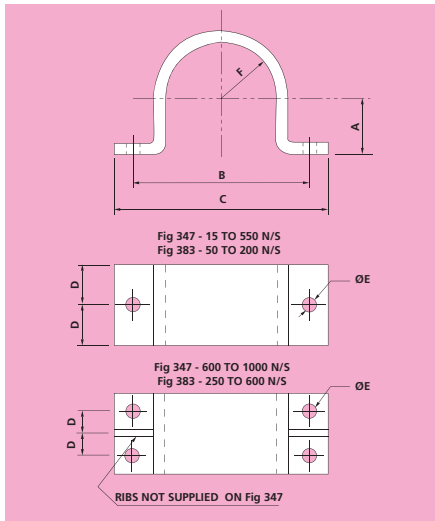


## 347 HOLD DOWN PIPE CLAMP 383 ANCHOR HOLD DOWN CLAMP



**Material: Carbon Steel**

PART No.	PIPE SIZE	PIPE O/D	A	B	C	D	OE	F	STEEL SIZE
F347-15	15	21.3	10	70	110	17.5	12	11.5	35x5
F347-20	20	26.9	13	80	120	17.5	12	14	35x5
F347-25	25	33.7	16	90	130	17.5	12	18	35x5
F347-32	32	42.4	20	110	140	17.5	15	22	35x8
F347-40	40	48.3	23	120	160	17.5	15	25	35x8
F347-50	50	60.3	29	130	170	17.5	15	31	35x8
F347-65	65	76.1	36	160	210	22.5	19	40	45x10
F347-80	80	88.9	43	180	230	22.5	19	46	45x10
F347-100	100	114.3	55	210	260	22.5	19	59	45x10
F347-125	125	139.7	68	240	300	30.0	24	72	60x10
F347-150	150	168.3	82	270	330	30.0	24	86	60x10
F347-175	175	193.7	95	310	370	27.5	24	99	55x15
F347-200	200	219.1	107	340	400	27.5	24	112	55x15
F347-225	225	244.5	122	360	420	27.5	24	124	55x15
F347-250	250	273.0	135	390	450	27.5	24	138	55x15
F347-300	300	323.9	162	440	500	27.5	24	164	55x15
F347-350	350	355.6	172	480	540	27.5	24	180	55x15
F347-400	400	406.4	202	530	600	30.0	28	205	60x15
F347-450	450	457.0	228	590	660	30.0	28	231	60x15
F347-500	500	508.0	258	640	710	30.0	28	256	60x15
F347-550	550	559.0	278	690	760	30.0	28	282	60x15
F347-600	600	610	305	730	790	30.0	24	308	100x15
F347-650	650	660	328	780	840	30.0	24	333	100x15
F347-700	700	711	355	830	890	30.0	24	358	100x15
F347-750	750	762	380	890	950	30.0	24	385	100x15
F347-800	800	813	405	970	1040	33.0	28	410	110x20
F347-850	850	864	430	1020	1090	33.0	28	435	110x20
F347-900	900	914	455	1070	1140	33.0	28	460	110x20
F347-1000	1000	1016	507	1170	1240	33.0	28	511	110x20

PART No.	PIPE SIZE	PIPE O/D	A	B	C	D	OE	F	STEEL SIZE
F383-50	50	60.3	27	150	210	40	22	31	80x10
F383-65	65	76.1	34	170	230	40	22	40	80x10
F383-80	80	88.9	40	180	240	40	22	46	80x10
F383-100	100	114.3	53	210	270	40	22	59	80x10
F383-125	125	139.7	65	240	300	40	22	72	80x10
F383-150	150	168.3	80	280	350	75	27	86	150x12
F383-200	200	219.1	105	330	400	75	27	112	150x12
F383-250	250	273.0	131	390	460	65	27	139	200x12
F383-300	300	323.9	156	440	510	65	27	165	200x12
F383-350	350	355.6	172	470	540	75	27	181	250x12
F383-400	400	406.4	198	520	590	75	27	206	250x12
F383-450	450	457.0	222	570	640	90	27	232	300x12
F383-500	500	508.0	247	620	690	90	27	258	300x12
F383-600	600	610	298	730	800	90	27	309	300x12