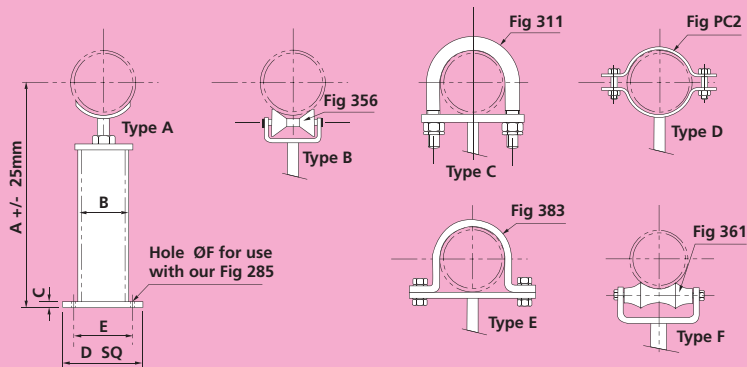


# 348 ADJUSTABLE PEDESTAL SUPPORT -20°C TO 350°C



**Material: Carbon Steel Order by Part No., Type, Pipe Size & Height 'A'**

PART No.	B	C	D	E	OF	Recommended Type 285 Fixing Bolt	LOAD CAPACITY (kg) AT HEIGHT A =					
							500	1000	1500	2000	2500	3000
F348-1	60.3	10	170	130	15	M10	490	250	160	120	90	70
F348-2	76.1	12	200	150	18	M12	800	410	270	200	150	130
F348-3	88.9	15	240	190	18	M12	1110	570	380	280	220	180
F348-4	114.3	20	280	220	24	M16	2050	1070	720	540	420	350
F348-5	139.7	20	400	320	28	M20	4110	2170	1470	1110	880	730
F348-6	168.3	25	440	360	32	M24	5930	3180	2170	1640	1310	1090
F348-7	219.1	25	660	580	32	M24	9850	5380	3700	2810	2260	1890