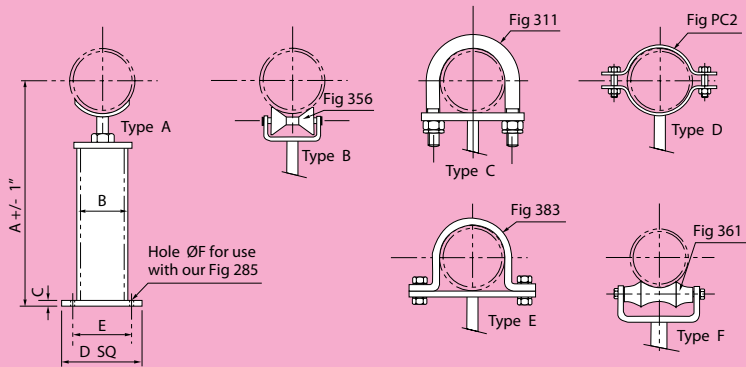


# 348 ADJUSTABLE PEDESTAL SUPPORT -4°F TO 662°F



Material: Carbon Steel Order by Part No., Type, Pipe Size & Height 'A'

PART No.	B	C	D	E	ØF	Recommended Type 285 Flange Bolt	LOAD CAPACITY (lb) AT HEIGHT A =					
							20	39	59	79	98	118
F348-1	2.38	0.4	6.7	5.12	0.6	M10	19.3	9.85	6.3	4.73	3.55	2.76
F348-2	3	0.48	7.88	5.91	0.71	M12	31.5	16.15	10.63	7.88	5.91	5.12
F348-3	3.5	0.6	9.45	7.49	0.71	M12	43.71	22.45	14.97	11.03	8.67	7.09
F348-4	4.5	0.79	11.03	8.67	0.95	M16	80.71	42.13	28.35	21.26	16.54	13.78
F348-5	5.5	0.79	15.75	12.6	1.11	M20	161.82	85.44	57.88	43.71	34.65	28.75
F348-6	6.63	0.99	17.33	14.18	1.26	M24	233.47	125.2	85.44	64.57	51.58	42.92
F348-7	8.63	0.99	25.99	22.84	1.26	M24	387.8	211.82	145.67	110.63	88.98	74.41