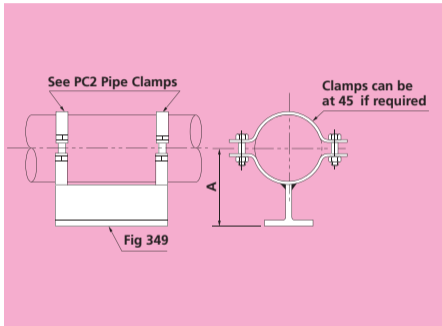


351 PIPE CLAMP BASE LIGHT DUTY MAX. 150 N.B.



Material: Carbon Steel

PART No.	PIPE N.B.	A	LOAD CAPACITY	
			kgf	kN
F351-20	20	81	150	1.5
F351-25	25	85	150	1.5
F351-32	32	89	150	1.5
F351-40	40	92	150	1.5
F351-50	50	98	150	1.5
F351-65	65	107	150	1.5
F351-80	80	113	150	1.5
F351-100	100	139	150	1.5
F351-125	125	177	150	1.5
F351-150	150	191	150	1.5