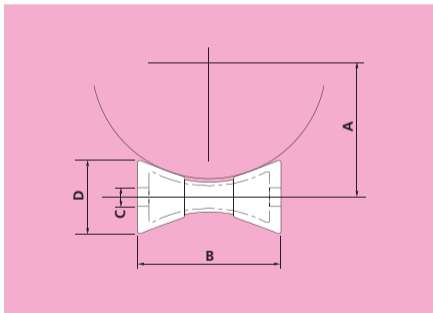


356 PIPE ROLLER — SHORT PATTERN



Material: Cast Iron

PART No.	PIPE SIZE	A	B	C	D	LOAD CAPACITY	
						kgf	kN
F356-50	50	46	70	14	48	175	1.7
F356-65	65	52	70	14	48	175	1.7
F356-80	80	62	70	14	48	175	1.7
F356-100	100	71	95	14	54	425	4.2
F356-125	125	87	95	14	54	425	4.2
F356-150	150	102	95	14	54	425	4.2
F356-200	200	133	150	22	83	950	9.3
F356-250	250	162	150	22	83	950	9.3
F356-300	300	190	200	26	102	1350	13.2
F356-350	350	206	200	26	102	1350	13.2
F356-400	400	235	232	32	114	2250	22.1
F356-450	450	263	232	32	114	2250	22.1
F356-500	500	292	232	32	114	2250	22.1
F356-600	600	350	254	38	114	2750	27.0
F356-750	750	438	318	44	140	3400	33.3
F356-900	900	514	375	50	162	5400	53.0
F356-1050	1050	590	375	50	162	5400	53.0
F356-1200	1200	667	375	50	162	5400	53.0