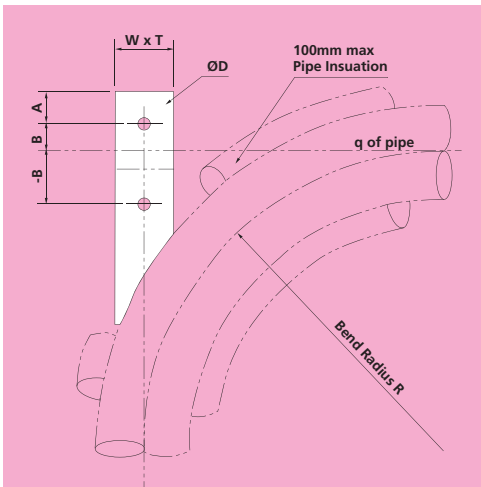


358 PIPE LUG ATTACHMENT



Quoted load capacities refer to the lug itself and not to the interface with the pipe.

The designer should satisfy himself that stress levels in the pipe wall are acceptable.

Material must be compatible with the pipe.

Order by Part No. and Bend Radius R.

PART No.	PIPE SIZE	WxT	A	ØD	R=1.5D B	R=3D B	R=5D B	LOAD CAPACITY	
								kgf	kN
F358-50	50	50x8	25	14	137	101	40	530	5.2
F358-65	65	60x10	35	18	137	89	7	1010	9.9
F358-80	80	60x10	35	18	137	77	-22	1010	9.9
F358-100	100	60x10	35	18	137	53	-82	1010	9.9
F358-125	125	60x10	35	18	135	28	-143	1010	9.9
F358-150	150	60x10	35	18	133	0	-214	1010	9.9
F358-175	175	60x10	40	22	146	-10	-256	1580	15.5
F358-200	200	60x10	40	22	143	-37	-320	1580	15.5
F358-225	225	60x10	40	22	141	-65	-385	1580	15.5
F358-250	250	60x10	40	22	137	-96	-459	1580	15.5
F358-300	300	60x12	50	26	139	-144	-580	2280	22.4
F358-350	350	100x15	60	33	134	-180	-663	3650	35.8
F358-400	400	100x15	60	33	198	-237	-797	3650	35.8
F358-450	450	100x20	75	39	119	-285	-917	5340	52.4
F358-500	500	100x20	75	39	120	-344	-1053	5340	52.4
F358-550	550	100x20	75	39	112	-403	-1188	5340	52.4
F358-600	600	110x25	85	45	113	-452	-1311	7400	72.6