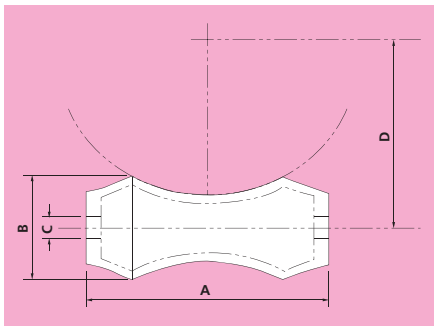


361 PIPE ROLLER



Material: Cast Iron

PART No.	PIPE SIZE	A	B	C	D	LOAD CAPACITY	
						kgf	kN
F361-25	25	25	20	12	27	275	2.7
F361-32	32	37	21	12	32	275	2.7
F361-40	40	40	22	12	35	275	2.7
F361-50	50	44	24	12	41	275	2.7
F361-65	65	60	29	14	49	300	2.9
F361-80	80	94	35	14	57	318	3.1
F361-100	100	94	35	14	71	340	3.3
F361-125	125	146	49	20	87	340	3.3
F361-150	150	146	49	20	103	485	4.7
F361-200	200	228	69	24	130	600	5.9
F361-250	250	280	85	27	159	785	7.7
F361-300	300	330	100	27	189	1088	10.7
F361-350	350	361	120	27	213	1400	13.7
F361-400	400	412	130	27	240	1800	17.6
F361-450	450	463	138	27	267	1900	18.6
F361-500	500	514	152	33	295	2000	19.6
F361-600	600	615	183	33	365	2800	27.5
F361-750	750	770	219	50	443	3300	32.4
F361-900	900	914	251	66	521	5000	49.0