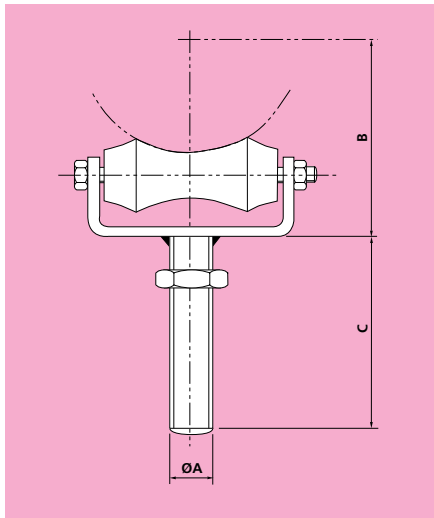


362 ADJUSTABLE SUPPORT ROLLER CHAIR



Material: Cast Iron and Carbon Steel

PART No.	PIPE SIZE	A	B	C	STEEL SIZE	SWL	
						lbs	kip
F362-25	1	0.48	2.33	5.91	0.98x0.2	606	0.61
F362-32	1 1/4	0.48	2.64	5.91	0.98x0.2	606	0.61
F362-40	1 1/2	0.48	2.76	5.91	0.98x0.2	606	0.61
F362-50	2	0.48	3.08	5.91	1.18x0.24	606	0.61
F362-65	2 1/2	0.48	3.55	5.91	1.18x0.24	661	0.66
F362-80	3	0.48	3.94	5.91	1.57x0.24	701	0.7
F362-100	4	0.63	4.93	5.91	1.57x0.24	749	0.75
F362-125	5	0.63	5.71	5.91	1.97x0.39	749	0.75
F362-150	6	0.79	6.5	5.91	1.97x0.39	1069	1.07
F362-200	8	0.79	7.88	5.91	1.97x0.47	1322	1.32
F362-250	10	0.95	9.45	5.91	2.56x0.47	1730	1.73
F362-300	12	0.95	11.03	5.91	2.56x0.47	2398	2.4
F362-350	14	1.19	12.21	5.91	3.15x0.47	3086	3.09
F362-400	16	1.19	13.51	5.91	3.15x0.47	3968	3.97
F362-450	18	1.19	14.57	5.91	3.15x0.47	4188	4.19
F362-500	20	1.42	16.15	5.91	3.94x0.47	4409	4.41
F362-600	24	1.42	19.69	5.91	3.94x0.63	6172	6.17