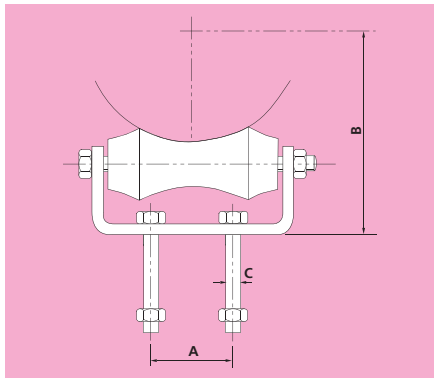


## 365 SUPPORT ROLLER CHAIR



**Material: Cast Iron and Carbon Steel**

PART No.	PIPE SIZE	A	B	BOLT SIZE C	STEEL SIZE	SWL	
						kgf	kN
F365-25	25	1 hole	59	M10x30	25x5	275	2.7
F365-32	32	1 hole	67	M10x30	25x5	275	2.7
F365-40	40	1 hole	70	M10x30	25x5	275	2.7
F365-50	50	30	78	M10x30	30x6	275	2.7
F365-65	65	30	90	M10x30	40x6	300	2.9
F365-80	80	50	100	M10x30	40x6	318	3.1
F365-100	100	50	125	M10x30	40x10	340	3.3
F365-125	125	80	145	M12x40	50x10	340	3.3
F365-150	150	80	165	M12x40	50x10	485	4.7
F365-200	200	85	200	M16x40	50x12	600	5.9
F365-250	250	135	240	M16x45	65x12	785	7.7
F365-300	300	140	280	M16x45	65x12	1088	10.7
F365-350	350	165	310	M20x50	80x12	1400	13.7
F365-400	400	210	340	M20x70	80x12	1800	17.6
F365-450	450	235	370	M20x70	80x12	1900	18.6
F365-500	500	260	410	M20x70	80x12	2000	19.6
F365-600	600	310	500	M20x90	100x16	2800	27.5