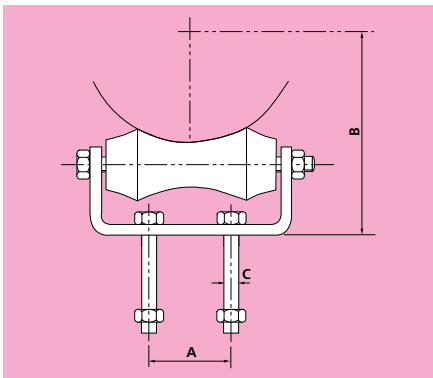


365 SUPPORT ROLLER CHAIR



Material: Cast Iron and Carbon Steel

PART No.	PIPE SIZE	A	B	BOLT SIZE C	STEEL SIZE	SWL	
						lbs	kip
F365-25	1	1 hole	2.33	3/8x1 1/8	0.98x0.2	606	0.61
F365-32	1 1/4	1 hole	2.64	3/8x1 1/8	0.98x0.2	606	0.61
F365-40	1 1/2	1 hole	2.76	3/8x1 1/8	0.98x0.2	606	0.61
F365-50	2	1.19	3.08	3/8x1 1/8	1.18x0.24	606	0.61
F365-65	2 1/2	1.19	3.55	3/8x1 1/8	1.57x0.24	661	0.66
F365-80	3	1.97	3.94	3/8x1 1/8	1.57x0.24	701	0.7
F365-100	4	1.97	4.93	3/8x1 1/8	1.57x0.39	749	0.75
F365-125	5	3.15	5.71	1/2x1 5/8	1.97x0.39	749	0.75
F365-150	6	3.15	6.5	1/2x1 5/8	1.97x0.39	1069	1.07
F365-200	8	3.35	7.88	5/8x1 5/8	1.97x0.47	1322	1.32
F365-250	10	5.32	9.45	5/8x1 3/4	2.56x0.47	1730	1.73
F365-300	12	5.52	11.03	5/8x1 3/4	2.56x0.47	2398	2.4
F365-350	14	6.5	12.21	3/4x2	3.15x0.47	3086	3.09
F365-400	16	8.27	13.39	3/4x2 3/4	3.15x0.47	3968	3.97
F365-450	18	9.26	14.57	3/4x2 3/4	3.15x0.47	4188	4.19
F365-500	20	10.24	16.15	3/4x2 3/4	3.15x0.47	4409	4.41
F365-600	24	12.21	19.69	3/4x3 1/2	3.94x0.63	6172	6.17