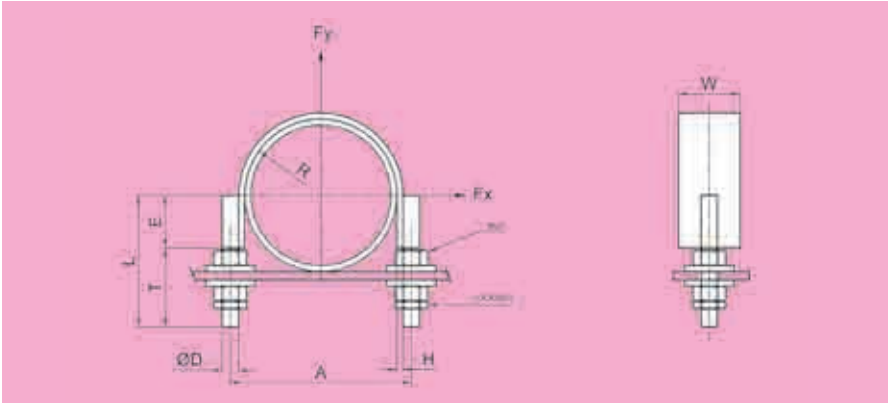


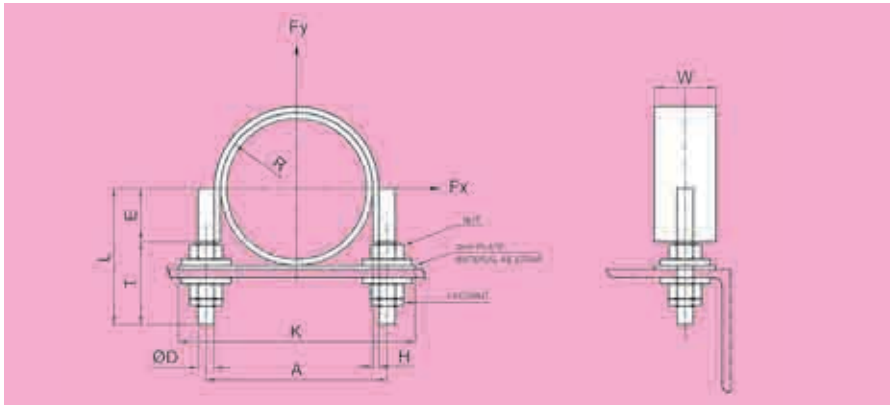
371 U-STRAP (GRIP TYPE CS)



4 nuts, 2 locknuts and 4 washers per strap
Material: Carbon Steel

PART NUMBERS	LINE SIZE		R	A	W	STRAP H	STUD SIZE				MAX LOAD(kN)		WEIGHT kg	LINER D.L'TH
	mm	in					D	L	T	E	Fy	Fx		
F371-50	DN50	2"	32	86	50	6	10	80	65	15	16	3.5	0.5	131
F371-80	DN80	3"	47	118	50	6	12	95	70	25	24	3.0	0.7	198
F371-100	DN100	4"	59	142	50	6	12	115	85	30	24	2.5	0.8	245
F371-125	DN125	5"	73	170	50	6	12	130	95	35	24	2.0	1.0	299
F371-150	DN150	6"	86	200	50	6	16	155	100	55	45	2.5	1.4	380
F371-200	DN200	8"	112	252	50	6	16	180	100	80	45	2.0	1.7	512
F371-250	DN250	10"	139	318	65	10	20	210	100	100	70	4.0	4.2	637
F371-300	DN300	12"	164	368	65	10	20	245	115	130	70	3.5	5.0	775

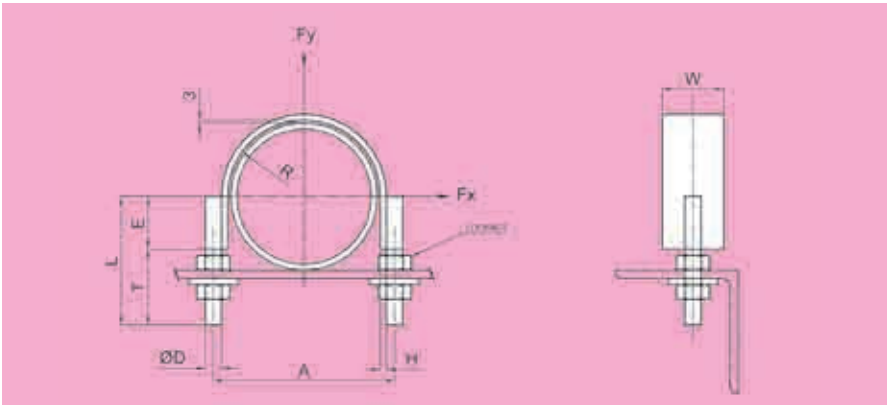
372 U-STRAP (GRIP TYPE SS)



4 nuts, 2 locknuts and 4 washers per strap
Material: Stainless Steel Grade 316

PART NUMBERS	LINE SIZE		R	A	K	W	STRAP H	STUD SIZE				MAX LOAD(kN)		WEIGHT kg	LINER D.L.T.H
	mm	in						D	L	T	E	Fy	Fx		
F372-50	DN50	2"	32	86	130	50	6	10	80	65	15	16	3.5	0.6	131
F372-80	DN80	3"	47	118	165	50	6	12	95	70	25	24	3.0	0.9	198
F372-100	DN100	4"	59	142	190	50	6	12	115	85	30	24	2.5	1.1	245
F372-125	DN125	5"	73	170	225	50	6	12	130	95	35	24	2.0	1.2	299
F372-150	DN150	6"	86	200	260	50	6	16	155	100	55	45	2.5	1.7	380
F372-200	DN200	8"	112	252	310	50	6	16	180	100	80	45	2.0	2.1	512
F372-250	DN250	10"	139	318	380	65	10	20	210	110	100	70	4.0	4.8	637
F372-300	DN300	12"	164	368	430	65	10	20	245	115	130	70	3.5	5.6	775

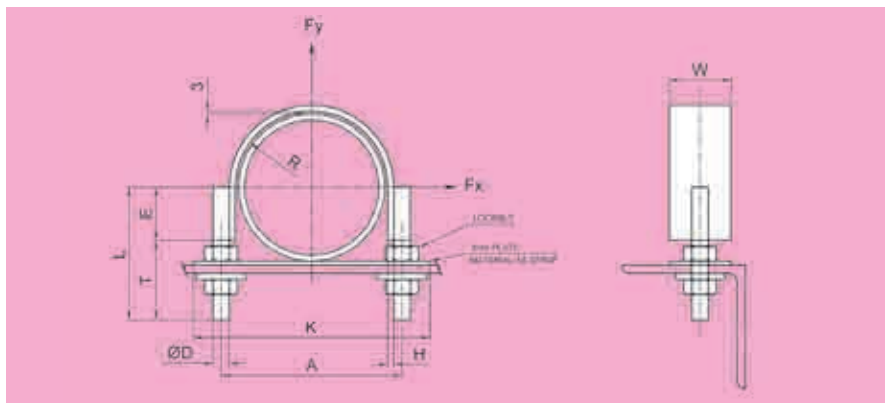
373 U-STRAP (NON-GRIP TYPE CS)



4 nuts and 2 washers per strap
Material: Carbon Steel

PART NUMBERS	LINE SIZE		R	A	W	STRAP H	STUD SIZE				MAX LOAD(kN)		WEIGHT kg	LINER D.L'TH
	mm	in					D	L	T	E	Fy	Fx		
F373-50	DN50	2"	35	92	50	6	10	80	65	15	16	3.5	0.5	140
F373-80	DN80	3"	50	124	50	6	12	95	70	25	24	3.0	0.7	207
F373-100	DN100	4"	62	148	50	6	12	115	85	30	24	2.5	0.8	255
F373-125	DN125	5"	76	176	50	6	12	130	95	35	24	2.0	0.9	309
F373-150	DN150	6"	89	206	50	6	16	155	100	55	45	2.5	1.3	390
F373-200	DN200	8"	116	260	50	6	16	180	100	80	45	2.0	1.7	524
F373-250	DN250	10"	143	326	65	10	20	210	110	100	70	4.0	4.0	649
F373-300	DN300	12"	168	376	65	10	20	245	115	130	70	3.5	4.8	788
F373-350	DN350	14"	184	408	65	10	20	260	110	150	70	3.0	5.3	878
F373-400	DN400	16"	209	458	80	10	20	285	105	180	70	4.0	7.3	1017
F373-450	DN450	18"	235	514	80	10	24	320	130	190	102	4.5	8.5	1118
F373-500	DN500	20"	260	564	80	10	24	345	130	215	102	4.0	9.4	1247
F373-600	DN600	24"	311	666	100	10	24	400	145	255	102	4.0	13.4	1487

374 U-STRAP (NON-GRIP TYPE SS)



4 locknuts and 2 washers per strap
Material: Stainless Steel Grade 316

PART NUMBERS	LINE SIZE		R	A	K	W	STRAP H	STUD SIZE				MAX LOAD(kN)		WEIGHT kg	LINER D.L'TH
	mm	in						D	L	T	E	Fy	Fx		
F374-50	DN50	2"	35	92	130	50	6	10	80	65	15	16	3.5	0.6	140
F374-80	DN80	3"	50	124	165	50	6	12	95	70	25	24	3.0	0.9	207
F374-100	DN100	4"	62	148	190	50	6	12	115	85	30	24	2.4	1.0	255
F374-125	DN125	5"	76	176	225	50	6	12	130	95	35	24	2.5	1.2	309
F374-150	DN150	6"	89	206	260	50	6	16	155	100	55	45	2.5	1.6	390
F374-200	DN200	8"	116	260	310	50	6	16	180	100	80	45	2.0	2.0	524
F374-250	DN250	10"	143	326	380	65	10	20	210	100	100	70	4.0	4.6	649
F374-300	DN300	12"	168	376	430	65	10	20	245	115	130	70	3.5	5.5	788
F374-350	DN350	14"	184	408	460	65	10	20	260	110	150	70	3.0	6.0	878
F374-400	DN400	16"	209	458	511	80	10	20	285	105	180	70	4.0	8.3	1017
F374-450	DN450	18"	235	514	571	80	10	24	320	130	190	102	4.5	9.6	1118
F374-500	DN500	20"	260	564	621	80	10	24	345	130	215	102	4.0	10.6	1247
F374-600	DN600	24"	311	666	726	100	10	24	400	145	255	102	4.0	15.1	1487