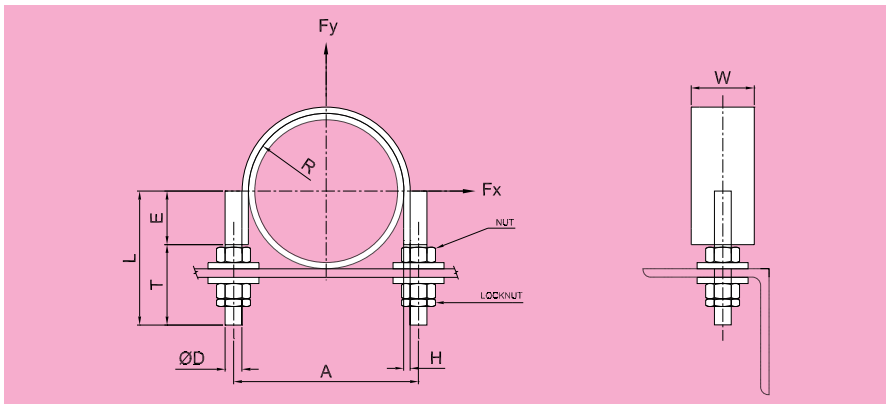


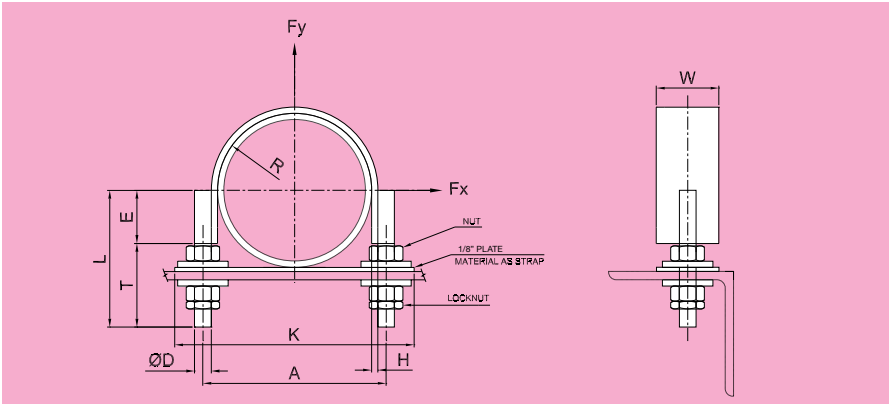
371 U-STRAP (GRIP TYPE CS)



4 nuts, 2 locknuts and 4 washers per strap
Material: Carbon Steel

| PART NUMBERS | LINE SIZE | | R | A | W | STRAP | | STUD SIZE | | | | MAX LOAD(kip) | | WEIGHT lbs | LINER D.L.T.H |
|--------------|-----------|-----|------|-------|------|-------|------|-----------|------|------|------|---------------|-----|------------|---------------|
| | mm | in | | | | H | D | L | T | E | Fy | Fx | | | |
| F371-50 | DN50 | 2" | 1.26 | 3.39 | 1.97 | 0.24 | 0.4 | 3.15 | 2.56 | 0.6 | 3.6 | 0.8 | 1.1 | 5.16 | |
| F371-80 | DN80 | 3" | 1.86 | 4.65 | 1.97 | 0.24 | 0.48 | 3.75 | 2.76 | 0.99 | 5.4 | 0.7 | 1.5 | 7.8 | |
| F371-100 | DN100 | 4" | 2.33 | 5.6 | 1.97 | 0.24 | 0.48 | 4.53 | 3.35 | 1.19 | 5.4 | 0.6 | 1.8 | 9.65 | |
| F371-125 | DN125 | 5" | 2.88 | 6.7 | 1.97 | 0.24 | 0.48 | 5.12 | 3.75 | 1.38 | 5.4 | 0.4 | 2.2 | 11.77 | |
| F371-150 | DN150 | 6" | 3.39 | 7.88 | 1.97 | 0.24 | 0.63 | 6.11 | 3.94 | 2.17 | 10.1 | 0.6 | 3.1 | 14.96 | |
| F371-200 | DN200 | 8" | 4.41 | 9.93 | 1.97 | 0.24 | 0.63 | 7.09 | 3.94 | 3.15 | 10.1 | 0.4 | 3.7 | 20.16 | |
| F371-250 | DN250 | 10" | 5.48 | 12.52 | 2.56 | 0.4 | 0.79 | 8.27 | 3.94 | 3.94 | 15.7 | 0.9 | 9.3 | 25.08 | |
| F371-300 | DN300 | 12" | 6.46 | 14.49 | 2.56 | 0.4 | 0.79 | 9.65 | 4.53 | 5.12 | 15.7 | 0.8 | 11 | 30.51 | |

372 U-STRAP (GRIP TYPE SS)

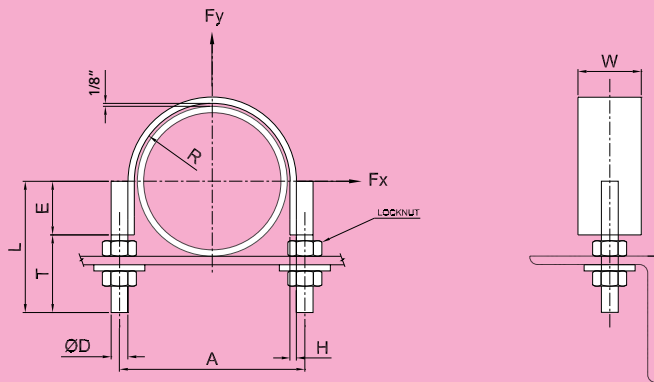


4 nuts, 2 locknuts and 4 washers per strap

Material: Stainless Steel Grade 316

| PART NUMBERS | LINE SIZE | | R | A | K | W | STRAP H | STUD SIZE | | | | MAX LOAD(kip) | | WEIGHT lbs | LINER D.L'TH |
|--------------|-----------|-----|------|-------|-------|------|---------|-----------|------|------|------|---------------|-----|------------|--------------|
| | mm | in | | | | | | D | L | T | E | Fy | Fx | | |
| F372-50 | DN50 | 2" | 1.26 | 3.39 | 5.12 | 1.97 | 0.24 | 0.4 | 3.15 | 2.56 | 0.6 | 3.6 | 0.8 | 1.3 | 5.16 |
| F372-80 | DN80 | 3" | 1.86 | 4.65 | 6.5 | 1.97 | 0.24 | 0.48 | 3.75 | 2.76 | 0.99 | 5.4 | 0.7 | 2 | 7.8 |
| F372-100 | DN100 | 4" | 2.33 | 5.6 | 7.49 | 1.97 | 0.24 | 0.48 | 4.53 | 3.35 | 1.19 | 5.4 | 0.6 | 2.4 | 9.65 |
| F372-125 | DN125 | 5" | 2.88 | 6.7 | 8.86 | 1.97 | 0.24 | 0.48 | 5.12 | 3.75 | 1.38 | 5.4 | 0.4 | 2.6 | 11.77 |
| F372-150 | DN150 | 6" | 3.39 | 7.88 | 10.24 | 1.97 | 0.24 | 0.63 | 6.11 | 3.94 | 2.17 | 10.1 | 0.6 | 3.7 | 14.96 |
| F372-200 | DN200 | 8" | 4.41 | 9.93 | 12.21 | 1.97 | 0.24 | 0.63 | 7.09 | 3.94 | 3.15 | 10.1 | 0.4 | 4.6 | 20.16 |
| F372-250 | DN250 | 10" | 5.48 | 12.52 | 14.97 | 2.56 | 0.4 | 0.79 | 8.27 | 4.34 | 3.94 | 15.7 | 0.9 | 10.6 | 25.08 |
| F372-300 | DN300 | 12" | 6.46 | 14.49 | 16.93 | 2.56 | 0.4 | 0.79 | 9.65 | 4.53 | 5.12 | 15.7 | 0.8 | 12.3 | 30.51 |

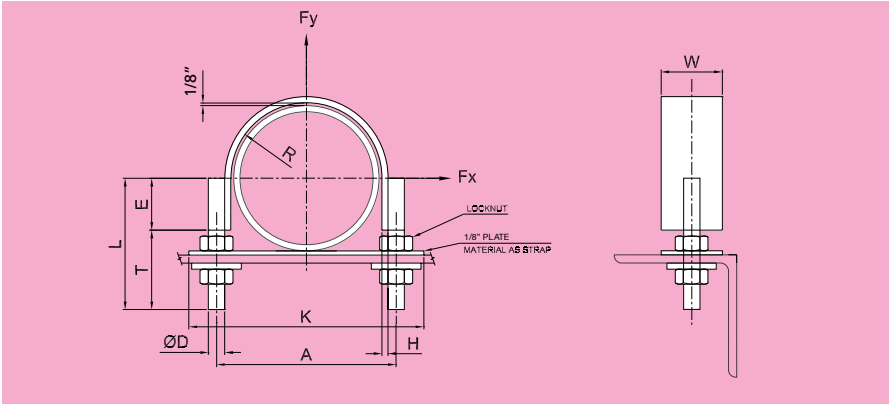
373 U-STRAP (NON-GRIP TYPE CS)



4 nuts and 2 washers per strap
Material: Carbon Steel

| PART NUMBERS | LINE SIZE | | R | A | K | W | STRAP | | STUD SIZE | | | | | MAX LOAD(kip) | | WEIGHT lbs | LINER D.L'TH |
|--------------|-----------|-----|-------|-------|-------|------|-------|------|-----------|------|-------|----------------|----------------|---------------|-------|------------|--------------|
| | mm | in | | | | | H | D | L | T | E | F _y | F _x | | | | |
| F374-50 | DN50 | 2" | 1.38 | 3.63 | 5.12 | 1.97 | 0.24 | 0.4 | 3.15 | 2.56 | 0.6 | 3.6 | 0.8 | 1.3 | 5.51 | | |
| F374-80 | DN80 | 3" | 1.97 | 4.89 | 6.5 | 1.97 | 0.24 | 0.48 | 3.75 | 2.76 | 0.99 | 5.4 | 0.7 | 2 | 8.15 | | |
| F374-100 | DN100 | 4" | 2.45 | 5.83 | 7.49 | 1.97 | 0.24 | 0.48 | 4.53 | 3.35 | 1.19 | 5.4 | 0.5 | 2.2 | 10.04 | | |
| F374-125 | DN125 | 5" | 3 | 6.93 | 8.86 | 1.97 | 0.24 | 0.48 | 5.12 | 3.75 | 1.38 | 5.4 | 0.6 | 2.6 | 12.17 | | |
| F374-150 | DN150 | 6" | 3.51 | 8.12 | 10.24 | 1.97 | 0.24 | 0.63 | 6.11 | 3.94 | 2.17 | 10.1 | 0.6 | 3.5 | 15.35 | | |
| F374-200 | DN200 | 8" | 4.57 | 10.24 | 12.21 | 1.97 | 0.24 | 0.63 | 7.09 | 3.94 | 3.15 | 10.1 | 0.4 | 4.4 | 20.63 | | |
| F374-250 | DN250 | 10" | 5.63 | 12.84 | 14.97 | 2.56 | 0.4 | 0.79 | 8.27 | 3.94 | 3.94 | 15.7 | 0.9 | 10.1 | 25.55 | | |
| F374-300 | DN300 | 12" | 6.62 | 14.81 | 16.93 | 2.56 | 0.4 | 0.79 | 9.65 | 4.53 | 5.12 | 15.7 | 0.8 | 12.1 | 31.02 | | |
| F374-350 | DN350 | 14" | 7.25 | 16.07 | 18.12 | 2.56 | 0.4 | 0.79 | 10.24 | 4.34 | 5.91 | 15.7 | 0.7 | 13.2 | 34.57 | | |
| F374-400 | DN400 | 16" | 8.23 | 18.04 | 20.12 | 3.15 | 0.4 | 0.79 | 11.23 | 4.14 | 7.09 | 15.7 | 0.9 | 18.3 | 40.04 | | |
| F374-450 | DN450 | 18" | 9.26 | 20.24 | 22.49 | 3.15 | 0.4 | 0.95 | 12.6 | 5.12 | 7.49 | 22.9 | 1 | 21.2 | 44.02 | | |
| F374-500 | DN500 | 20" | 10.24 | 22.21 | 24.45 | 3.15 | 0.4 | 0.95 | 13.59 | 5.12 | 8.47 | 22.9 | 0.9 | 23.4 | 49.09 | | |
| F374-600 | DN600 | 24" | 12.25 | 26.23 | 28.59 | 3.94 | 0.4 | 0.95 | 15.75 | 5.71 | 10.04 | 22.9 | 0.9 | 33.3 | 58.54 | | |

374 U-STRAP (NON-GRIP TYPE SS)



4 locknuts and 2 washers per strap
Material: Stainless Steel Grade 316

| PART NUMBERS | LINE SIZE | | R | A | K | W | STRAP | | STUD SIZE | | | | MAX LOAD(lb) | | WEIGHT lbs | LINER D.L.T.H |
|--------------|-----------|-----|-------|-------|-------|------|-------|------|-----------|------|-------|----------------|----------------|------|------------|---------------|
| | mm | in | | | | | H | D | L | T | E | F _y | F _x | | | |
| F374-50 | DN50 | 2" | 1.38 | 3.63 | 5.12 | 1.97 | 0.24 | 0.4 | 3.15 | 2.56 | 0.6 | 3.6 | 0.8 | 1.3 | 5.51 | |
| F374-80 | DN80 | 3" | 1.97 | 4.89 | 6.5 | 1.97 | 0.24 | 0.48 | 3.75 | 2.76 | 0.99 | 5.4 | 0.7 | 2 | 8.15 | |
| F374-100 | DN100 | 4" | 2.45 | 5.83 | 7.49 | 1.97 | 0.24 | 0.48 | 4.53 | 3.35 | 1.19 | 5.4 | 0.5 | 2.2 | 10.04 | |
| F374-125 | DN125 | 5" | 3 | 6.93 | 8.86 | 1.97 | 0.24 | 0.48 | 5.12 | 3.75 | 1.38 | 5.4 | 0.6 | 2.6 | 12.17 | |
| F374-150 | DN150 | 6" | 3.51 | 8.12 | 10.24 | 1.97 | 0.24 | 0.63 | 6.11 | 3.94 | 2.17 | 10.1 | 0.6 | 3.5 | 15.35 | |
| F374-200 | DN200 | 8" | 4.57 | 10.24 | 12.21 | 1.97 | 0.24 | 0.63 | 7.09 | 3.94 | 3.15 | 10.1 | 0.4 | 4.4 | 20.63 | |
| F374-250 | DN250 | 10" | 5.63 | 12.84 | 14.97 | 2.56 | 0.4 | 0.79 | 8.27 | 3.94 | 3.94 | 15.7 | 0.9 | 10.1 | 25.55 | |
| F374-300 | DN300 | 12" | 6.62 | 14.81 | 16.93 | 2.56 | 0.4 | 0.79 | 9.65 | 4.53 | 5.12 | 15.7 | 0.8 | 12.1 | 31.02 | |
| F374-350 | DN350 | 14" | 7.25 | 16.07 | 18.12 | 2.56 | 0.4 | 0.79 | 10.24 | 4.34 | 5.91 | 15.7 | 0.7 | 13.2 | 34.57 | |
| F374-400 | DN400 | 16" | 8.23 | 18.04 | 20.12 | 3.15 | 0.4 | 0.79 | 11.23 | 4.14 | 7.09 | 15.7 | 0.9 | 18.3 | 40.04 | |
| F374-450 | DN450 | 18" | 9.26 | 20.24 | 22.49 | 3.15 | 0.4 | 0.95 | 12.6 | 5.12 | 7.49 | 22.9 | 1 | 21.2 | 44.02 | |
| F374-500 | DN500 | 20" | 10.24 | 22.21 | 24.45 | 3.15 | 0.4 | 0.95 | 13.59 | 5.12 | 8.47 | 22.9 | 0.9 | 23.4 | 49.09 | |
| F374-600 | DN600 | 24" | 12.25 | 26.23 | 28.59 | 3.94 | 0.4 | 0.95 | 15.75 | 5.71 | 10.04 | 22.9 | 0.9 | 33.3 | 58.54 | |