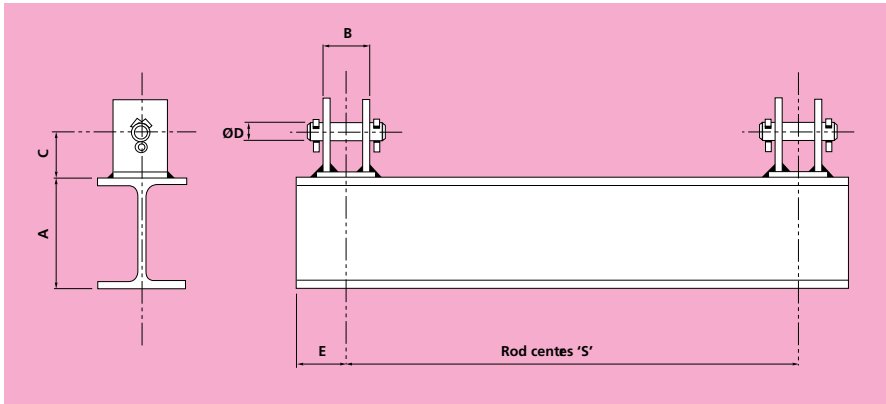


# 486 SPREADER BEAM



Material: Carbon Steel Order by Part No., Beam Reference and Rod Centres "S"

PART No.	ROD DIA	LOAD CAPACITY		LOAD GROUP	B	C	D	E	WEIGHT EXCLUDING BEAM
		lbs	kip		in	in	in	in	
F486_3/8	3/8	1587	1.587	1	1.19	1.42	3/8	1.97	1.7
F486_1/2	1/2	2336	2.336	2	1.19	1.42	1/2	1.97	1.8
F486_5/8	5/8	4453	4.453	3	1.19	1.66	5/8	1.97	2.2
F486_3/4	3/4	6966	6.966	4	1.38	2.37	3/4	2.37	4.9
F486_1	1	10053	10.053	5	1.58	2.76	1	2.37	8.8
F486_1 1/4	1 1/4	16093	16.093	6	1.58	3.23	1 1/4	2.37	15.2
F486_1 1/2	1 1/2	23545	23.545	7	2.17	3.75	1 1/2	2.96	25.4
F486_1 3/4	1 3/4	32628	32.628	8	2.56	4.14	1 3/4	3.15	34.6
F486_2	2	42549	42.549	9	2.76	4.93	2	3.55	60
F486_2 1/4	2 1/4	58863	58.863	10	3.15	5.52	2 1/4	3.75	82.7
F486_2 1/2	2 1/2	79366	79.366	11	3.55	6.3	2 1/2	4.14	106.5
F486_3	3	101522	101.522	12	3.94	7.09	3	4.34	156.5

BEAM REFERENCE	DEPTH A' (NOM.) in	WEIGHT PER METRE (NOM.) lbs/ft
A	4.93	9.07
B	5.91	9.81
C	6.89	13.37
D	7.88	15.25
E	9.85	21.97
F	11.82	27.15
G	13.78	32.19
H	15.75	41.53
J	17.72	48.72
K	20.28	58.93
L	23.63	72.58

ORDER BY PART NUMBER AND ROD CENTRES 'S'

ROD DIA	LOAD CAPACITY		LOAD GROUP	BEAM REFERENCE FOR SPAN S = inches												
	lbs	kip		10	20	30	40	50	60	70	80	90	100	110	120	
3/8	1587	1.587	1							A		B		C		
1/2	2336	2.336	2						A	B			C		D	
5/8	4453	4.453	3				A		B			C		D	E	
3/4	6966	6.966	4			A	B		C			D		E	F	
1	10053	10.053	5			B	C	D		D		E		F	G	
1 1/4	16093	16.093	6			D		E		E		F		G	H	J
1 1/2	23545	23.545	7			E		F		F		G		H	J	K
1 3/4	32628	32.628	8				G		H			J		K	L	
2	42549	42.549	9				G		H		J		K		L	
2 1/4	58863	58.863	10					J		K			L			
2 1/2	79366	79.366	11					K			L					
3	101522	101.522	12						L							