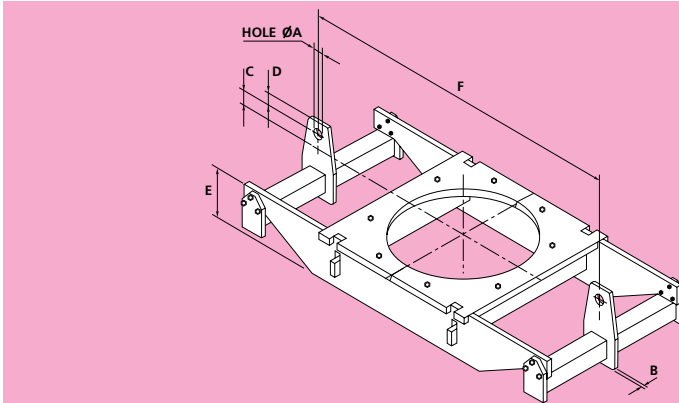


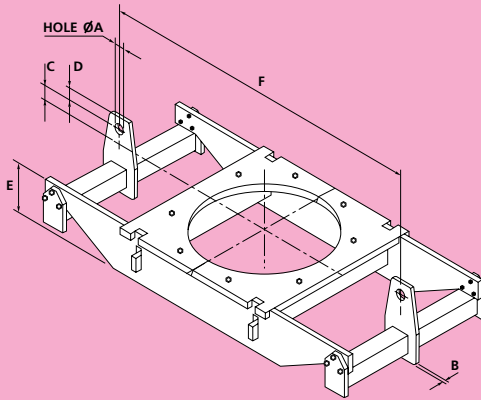
FPR RISER CLAMP FLAT PLATE TYPE



Material: Carbon Steel to 752°F Alloy Steel above 752°F. End Beams and Lugs: Carbon Steel. Order by Part No. and Rod Centres F"

Part Number	Pipe O/D		A		B		C		D		E		F		Weight lbs		Load Capacity (lbf) at Temperature F							Compatible with Rod Sizes	
	mm	in	in	in	mm	in	mm	in	mm	in	Min.	Max.	Min.	Max.	Min.	Max.	662	752	914	986	1040	1076	1112		
FPR-250-0-400	273.0	10.75	0.58	0.24	-78	-3 1/16	0.79	6.23	6.23	19.69	78.75	66.1	117.7	1014	1014										3/8 - 1/2
FPR-250-1-400	273.0	10.75	0.71	0.24	-66	-2 5/8	1.19	6.23	6.23	19.69	78.75	66.6	139.3	1587	1587										3/8 - 5/8
FPR-250-2-400	273.0	10.75	0.71	0.32	-66	-2 5/8	1.19	6.23	6.23	19.69	78.75	66.8	157.4	2336	2336										3/8 - 5/8
FPR-250-3-400	273.0	10.75	1.08	0.4	-48	-1 7/8	1.78	6.23	6.3	19.69	78.75	67.5	239.2	4453	4453										3/8 - 1
FPR-250-4-400	273.0	10.75	1.33	0.4	-38	-1 1/2	2.17	6.23	7.49	19.69	78.75	67.9	275.4	6966	6966										3/8 - 1 1/4
FPR-250-5-400	273.0	10.75	1.58	0.48	-28	-1 1/8	2.56	6.62	7.88	19.69	78.75	78.3	368.2	10053	10053										1/2 - 1 1/2
FPR-250-6-400	273.0	10.75	2.08	0.6	-3	-1/8	3.35	7.41	9.85	23.63	78.75	117.5	464.1	16093	16093										3/4 - 2
FPR-250-7-400	273.0	10.75	2.33	0.79	12	1/2	3.94	7.41	11.03	23.63	78.75	157.6	620.2	23545	23545										1 - 2 1/4
FPR-250-8-400	273.0	10.75	2.58	0.99	32	1 1/4	4.53	8.19	11.82	27.56	78.75	261.5	801.4	32628	32628										1 1/2 - 2 1/2
FPR-250-0-490	273.0	10.75	0.58	0.24	-78	-3 1/16	0.79	6.23	6.23	19.69	78.75	66.1	117.7	1014	1014	1014	661	396	286	242					3/8 - 1/2
FPR-250-1-490	273.0	10.75	0.71	0.24	-66	-2 5/8	1.19	6.23	6.23	19.69	78.75	66.6	139.3	1587	1587	1587	1036	617	440	374					3/8 - 5/8
FPR-250-2-490	273.0	10.75	0.71	0.32	-66	-2 5/8	1.19	6.23	6.23	19.69	78.75	66.8	157.4	2336	2336	2336	1521	903	661	551					3/8 - 5/8
FPR-250-3-490	273.0	10.75	1.08	0.4	-48	-1 7/8	1.78	6.23	6.23	19.69	78.75	67.5	227.1	4453	4453	4453	2888	1741	1256	1058					3/8 - 1
FPR-250-4-490	273.0	10.75	1.33	0.4	-38	-1 1/2	2.17	6.23	7.49	19.69	78.75	67.9	275.4	6966	6966	6966	4519	2711	1940	1675					3/8 - 1 1/4
FPR-250-5-490	273.0	10.75	1.58	0.48	-28	-1 1/8	2.56	6.62	7.88	19.69	78.75	78.3	368.2	10053	10053	10053	6525	3924	2821	2403					1/2 - 1 1/2
FPR-250-6-490	273.0	10.75	2.08	0.6	-3	-1/8	3.35	7.41	9.85	23.63	78.75	117.5	464.1	16093	16093	16093	10471	6283	4497	3858					3/4 - 2
FPR-250-7-490	273.0	10.75	2.33	0.79	12	1/2	3.94	7.41	10.63	23.63	78.75	157.6	601.6	23545	23545	23545	15300	9193	6591	5643					1 - 2 1/4
FPR-250-8-490	273.0	10.75	2.58	0.99	32	1 1/4	4.53	8.19	11.82	27.56	78.75	261.5	801.4	32628	32628	32628	21208	12720	9127	7826					1 1/2 - 2 1/2
FPR-250-0-530	273.0	10.75	0.58	0.24	-78	-3 1/16	0.79	6.23	6.23	19.69	78.75	66.1	121.5	1014	1014	1014	1014	617	440	374					3/8 - 1/2
FPR-250-1-530	273.0	10.75	0.71	0.24	-66	-2 5/8	1.19	6.23	6.23	19.69	78.75	66.6	157.2	1587	1587	1587	1587	947	705	573					3/8 - 5/8
FPR-250-2-530	273.0	10.75	0.71	0.32	-66	-2 5/8	1.19	6.23	6.23	19.69	78.75	66.8	175.3	2336	2336	2336	2336	1410	1036	837					3/8 - 5/8
FPR-250-3-530	273.0	10.75	1.08	0.4	-48	-1 7/8	1.78	6.23	6.7	19.69	78.75	67.5	250.9	4453	4453	4453	4453	2667	1962	1609					3/8 - 1
FPR-250-4-530	273.0	10.75	1.33	0.4	-38	-1 1/2	2.17	6.23	7.09	19.69	78.75	67.9	327.6	6966	6966	6966	6966	4188	3064	2513					3/8 - 1 1/4
FPR-250-5-530	273.0	10.75	1.58	0.48	-28	-1 1/8	2.56	6.62	8.67	23.63	78.75	99.2	398.6	10053	10053	10053	10053	6040	4431	3615					1 1/2 - 1 1/2
FPR-250-6-530	273.0	10.75	2.08	0.6	-3	-1/8	3.35	7.41	9.45	23.63	78.75	148.4	536.8	16093	16093	16093	16093	9656	7076	5798					3/4 - 2
FPR-250-7-530	273.0	10.75	2.33	0.79	12	1/2	3.94	7.41	11.82	23.63	78.75	162.3	657	23545	23545	23545	23545	14131	10361	8465					1 - 2 1/4
FPR-250-8-530	273.0	10.75	2.58	0.99	32	1 1/4	4.53	8.19	12.6	27.56	78.75	268.5	844.8	32628	32628	32628	32628	19577	14352	11750					1 1/2 - 2 1/2
FPR-250-0-560	273.0	10.75	0.58	0.24	-78	-3 1/16	0.79	6.23	6.23	19.69	78.75	66.1	148.2	1014	1014	1014	1014	1014	1014	793					3/8 - 1/2
FPR-250-1-560	273.0	10.75	0.71	0.24	-66	-2 5/8	1.19	6.23	6.23	19.69	78.75	66.6	162.6	1587	1587	1587	1587	1587	1587	1234					3/8 - 5/8
FPR-250-2-560	273.0	10.75	0.71	0.32	-66	-2 5/8	1.19	6.23	6.23	19.69	78.75	66.8	214.3	2336	2336	2336	2336	2336	2336	1829					3/8 - 5/8
FPR-250-3-560	273.0	10.75	1.08	0.4	-48	-1 7/8	1.78	6.23	7.49	19.69	78.75	67.5	274.9	4453	4453	4453	4453	4453	4453	3483					3/8 - 1
FPR-250-4-560	273.0	10.75	1.33	0.4	-38	-1 1/2	2.17	6.23	8.27	19.69	78.75	76.3	372.6	6966	6966	6966	6966	6966	6966	5423					3/8 - 1 1/4
FPR-250-5-560	273.0	10.75	1.58	0.48	-28	-1 1/8	2.56	6.62	9.45	23.63	78.75	102.7	428.8	10053	10053	10053	10053	10053	10053	7848					1/2 - 1 1/2
FPR-250-6-560	273.0	10.75	2.08	0.6	-3	-1/8	3.35	7.41	11.03	23.63	78.75	153.4	616	16093	16093	16093	16093	16093	16093	1234					3/8 - 5/8
FPR-250-7-560	273.0	10.75	2.33	0.79	12	1/2	3.94	7.88	11.82	23.63	78.75	185	764.1	23545	23545	23545	23545	23545	23545	18364					1 - 2 1/4
FPR-250-8-560	273.0	10.75	2.58	0.99	32	1 1/4	4.53	9.06	13.78	27.56	78.75	289.2	909.6	32628	32628	32628	32628	32628	32628	25441					1 1/2 - 2 1/2
FPR-250-0-600	273.0	10.75	0.58	0.24	-78	-3 1/16	0.79	6.23	6.23	19.69	78.75	66.1	101.4	1014	1014	1014	1014	1014	1014	1014					3/8 - 1/2
FPR-250-1-600	273.0	10.75	0.71	0.24	-66	-2 5/8	1.19	6.23	6.23	19.69	78.75	66.6	226	1587	1587	1587	1587	1587	1587	1587					3/8 - 5/8
FPR-250-2-600	273.0	10.75	0.71	0.32	-66	-2 5/8	1.19	6.23	7.09	19.69	78.75	66.8	262.4	2336	2336	2336	2336	2336	2336	2336					3/8 - 5/8
FPR-250-3-600	273.0	10.75	1.08	0.4	-48	-1 7/8	1.78	6.23	8.27	19.69	78.75	76.1	372.1	4453	4453	4453	4453	4453	4453	4453					3/8 - 1
FPR-250-4-600	273.0	10.75	1.33	0.4	-38	-1 1/2	2.17	6.23	9.85	19.69	78.75	90.4	432.8	6966	6966	6966	6966	6966	6966	6966					3/8 - 1 1/4
FPR-250-5-600	273.0	10.75	1.58	0.48	-28	-1 1/8	2.56	6.62	10.63	23.63	78.75	136.7	573.6	10053	10053	10053	10053	10053	10053	10053					1/2 - 1 1/2
FPR-250-6-600	273.0	10.75	2.08	0.6	-3	-1/8	3.35	7.41	12.21	23.63	78.75	207.5	780.9	16093	16093	16093	16093	16093	16093	16093					3/4 - 2
FPR-250-7-600	273.0	10.75	2.33	0.79	12	1/2	3.94	8.67	13.39	23.63	78.75	244.9	979.3	23545	23545	23545	23545	23545	23545	23545					1 - 2 1/4
FPR-250-8-600	273.0	10.75	2.58	0.99	32	1 1/4	4.53	10.24	15.75	27.56	78.75	374.1	1174.8	32628	32628	32628	32628	32628	32628	32628					1 1/2 - 2 1/2

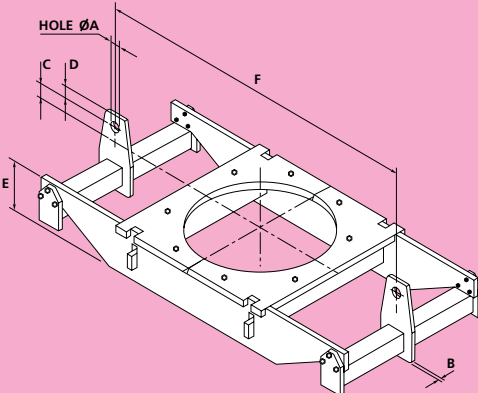
FPR RISER CLAMP FLAT PLATE TYPE



Material: Carbon Steel to 752°F Alloy Steel above 752°F. End Beams and Lugs: Carbon Steel. Order by Part No. and Rod Centres "F"

Part Number	Pipe O/D		A		B		C		D		E		F		Weight lbs		Load Capacity (lbf) at Temperature F							Compatible with Rod Sizes	
	mm	in	in	in	mm	in	mm	in	mm	in	Min.	Max.	Min.	Max.	Min.	Max.	662	752	914	986	1040	1076	1112		
FPR-300-1-400	323.9	12.75	0.71	0.24	-66	-2.5/8	1.19	6.23	6.23	23.63	78.75	78.9	134.3	1587	1587										3/8 - 5/8
FPR-300-2-400	323.9	12.75	0.71	0.32	-66	-2.5/8	1.19	6.23	6.23	23.63	78.75	79.1	167.1	2336	2336										3/8 - 5/8
FPR-300-3-400	323.9	12.75	1.08	0.4	-48	-1.7/8	1.78	6.23	6.23	23.63	78.75	80	238.1	4453	4453										3/8 - 1
FPR-300-4-400	323.9	12.75	1.33	0.4	-38	-1.1/2	2.17	6.62	7.49	23.63	78.75	87.7	296.1	6966	6966										3/8 - 1 1/4
FPR-300-5-400	323.9	12.75	1.58	0.48	-28	-1.1/8	2.56	6.62	7.88	23.63	78.75	108.7	389.1	10053	10053										1/2 - 1 1/2
FPR-300-6-400	323.9	12.75	2.08	0.6	-3	-1/8	3.35	7.41	9.85	23.63	78.75	145.1	498.2	16093	16093										3/4 - 2
FPR-300-7-400	323.9	12.75	2.33	0.79	12	1/2	3.94	8.19	11.03	27.56	78.75	219.1	683.7	23545	23545										1 - 2 1/4
FPR-300-8-400	323.9	12.75	2.58	0.99	32	1 1/4	4.53	8.19	11.82	27.56	78.75	253.8	840.6	32628	32628										1 1/2 - 2 1/2
FPR-300-9-400	323.9	12.75	3.08	0.99	11	7/16	5.12	9.61	13.78	27.56	78.75	333.6	980	42549	42549										1 1/2 - 3
FPR-300-1-490	323.9	12.75	0.71	0.24	-66	-2.5/8	1.19	6.23	6.23	23.63	78.75	78.9	134.3	1587	1587	1587	1036	617	440	374					3/8 - 5/8
FPR-300-2-490	323.9	12.75	0.71	0.32	-66	-2.5/8	1.19	6.23	6.23	23.63	78.75	79.1	167.1	2336	2336	2336	1521	903	661	551					3/8 - 5/8
FPR-300-3-490	323.9	12.75	1.08	0.4	-48	-1.7/8	1.78	6.23	6.23	23.63	78.75	80	238.1	4453	4453	4453	2888	1741	1256	1058					3/8 - 1
FPR-300-4-490	323.9	12.75	1.33	0.4	-38	-1.1/2	2.17	6.62	7.49	23.63	78.75	87.7	296.1	6966	6966	6966	4519	2711	1940	1675					3/8 - 1 1/4
FPR-300-5-490	323.9	12.75	1.58	0.48	-28	-1.1/8	2.56	6.62	7.88	23.63	78.75	108.7	389.1	10053	10053	10053	6525	3924	2821	2403					1/2 - 1 1/2
FPR-300-6-490	323.9	12.75	2.08	0.6	-3	-1/8	3.35	7.41	9.85	23.63	78.75	145.1	498.2	16093	16093	16093	10471	6283	4497	3858					3/4 - 2
FPR-300-7-490	323.9	12.75	2.33	0.79	12	1/2	3.94	8.19	10.63	27.56	78.75	219.1	664.5	23545	23545	23545	15300	9193	6591	5643					1 - 2 1/4
FPR-300-8-490	323.9	12.75	2.58	0.99	32	1 1/4	4.53	8.19	11.82	27.56	78.75	253.8	840.6	32628	32628	32628	21208	12720	9127	7826					1 1/2 - 2 1/2
FPR-300-9-490	323.9	12.75	3.08	0.99	11	7/16	5.12	9.61	13.39	27.56	78.75	333.6	958.3	42549	42549	42549	27668	16600	11904	10207					1 1/2 - 3
FPR-300-1-530	323.9	12.75	0.71	0.24	-66	-2.5/8	1.19	6.23	6.23	23.63	78.75	78.9	158.1	1587	1587	1587	1587	947	705	573					3/8 - 5/8
FPR-300-2-530	323.9	12.75	0.71	0.32	-66	-2.5/8	1.19	6.23	6.23	23.63	78.75	79.1	185.4	2336	2336	2336	2336	1410	1036	837					3/8 - 5/8
FPR-300-3-530	323.9	12.75	1.08	0.4	-48	-1.7/8	1.78	6.23	6.7	23.63	78.75	80	262.6	4453	4453	4453	4453	2667	1962	1609					3/8 - 1
FPR-300-4-530	323.9	12.75	1.33	0.4	-38	-1.1/2	2.17	6.62	7.88	23.63	78.75	97.7	308.4	6966	6966	6966	6966	4188	3064	2513					3/8 - 1 1/4
FPR-300-5-530	323.9	12.75	1.58	0.48	-28	-1.1/8	2.56	6.62	8.67	23.63	78.75	112.2	420	10053	10053	10053	10053	6040	4431	3615					1/2 - 1 1/2
FPR-300-6-530	323.9	12.75	2.08	0.6	-3	-1/8	3.35	7.41	9.85	27.56	78.75	186.7	592.4	16093	16093	16093	16093	9656	7076	5798					3/4 - 2
FPR-300-7-530	323.9	12.75	2.33	0.79	12	1/2	3.94	8.19	11.82	27.56	78.75	241	733.5	23545	23545	23545	23545	14131	10361	8465					1 - 2 1/4
FPR-300-8-530	323.9	12.75	2.58	0.99	32	1 1/4	4.53	8.19	12.6	27.56	78.75	300.9	884.7	32628	32628	32628	32628	19577	14352	11750					1 1/2 - 2 1/2
FPR-300-9-530	323.9	12.75	3.08	0.99	11	7/16	5.12	9.61	13.39	27.56	78.75	347.9	1092.6	42549	42549	42549	42549	25529	18717	15322					1 1/2 - 3
FPR-300-1-560	323.9	12.75	0.71	0.24	-66	-2.5/8	1.19	6.23	6.23	23.63	78.75	78.9	176.1	1587	1587	1587	1587	1587	1234	925					3/8 - 5/8
FPR-300-2-560	323.9	12.75	0.71	0.32	-66	-2.5/8	1.19	6.23	6.23	23.63	78.75	79.1	225.3	2336	2336	2336	2336	1829	1344	1064					3/8 - 5/8
FPR-300-3-560	323.9	12.75	1.08	0.4	-48	-1.7/8	1.78	6.23	7.49	23.63	78.75	80	286.8	4453	4453	4453	4453	5483	3483	2579					3/8 - 1
FPR-300-4-560	323.9	12.75	1.33	0.4	-38	-1.1/2	2.17	6.62	8.27	23.63	78.75	107.6	403.2	6966	6966	6966	6966	5423	4034	308					3/8 - 1 1/4
FPR-300-5-560	323.9	12.75	1.58	0.48	-28	-1.1/8	2.56	6.62	9.85	23.63	78.75	129.9	477.1	10053	10053	10053	10053	10053	7848	5820					1/2 - 1 1/2
FPR-300-6-560	323.9	12.75	2.08	0.6	-3	-1/8	3.35	7.41	11.03	27.56	78.75	208.3	648.6	16093	16093	16093	16093	16093	12544	9325					3/4 - 2
FPR-300-7-560	323.9	12.75	2.33	0.79	12	1/2	3.94	8.19	11.82	27.56	78.75	286.6	833.8	23545	23545	23545	23545	18364	13646						1 - 2 1/4
FPR-300-8-560	323.9	12.75	2.58	0.99	32	1 1/4	4.53	9.06	13	27.56	78.75	333.6	1046.5	32628	32628	32628	32628	32628	25441	18915					1 1/2 - 2 1/2
FPR-300-9-560	323.9	12.75	3.08	0.99	11	7/16	5.12	10.24	14.57	31.5	78.75	463.6	1168	42549	42549	42549	42549	33179	24669						1 1/2 - 3
FPR-300-1-600	323.9	12.75	0.71	0.24	-66	-2.5/8	1.19	6.23	6.23	23.63	78.75	78.9	237	1587	1587	1587	1587	1587	1587	1587					3/8 - 5/8
FPR-300-2-600	323.9	12.75	0.71	0.32	-66	-2.5/8	1.19	6.23	6.7	23.63	78.75	79.1	261.7	2336	2336	2336	2336	2336	2336	2336					3/8 - 5/8
FPR-300-3-600	323.9	12.75	1.08	0.4	-48	-1.7/8	1.78	6.23	8.27	23.63	78.75	99.6	392.6	4453	4453	4453	4453	4453	4453	4453					3/8 - 1
FPR-300-4-600	323.9	12.75	1.33	0.4	-38	-1.1/2	2.17	6.62	9.06	23.63	78.75	145.1	530.2	6966	6966	6966	6966	6966	6966	6966					3/8 - 1 1/4
FPR-300-5-600	323.9	12.75	1.58	0.48	-28	-1.1/8	2.56	6.62	10.63	23.63	78.75	160.9	605.4	10053	10053	10053	10053	10053	10053	10053					1 - 1 1/2
FPR-300-6-600	323.9	12.75	2.08	0.6	-3	-1/8	3.35	7.88	12.21	27.56	78.75	263.5	818.8	16093	16093	16093	16093	16093	16093	16093					3/4 - 2
FPR-300-7-600	323.9	12.75	2.33	0.79	12	1/2	3.94	9.45	13.78	27.56	78.75	334	1090.4	23545	23545	23545	23545	23545	23545	23545					1 - 2 1/4
FPR-300-8-600	323.9	12.75	2.58	0.99	32	1 1/4	4.53	11.03	15.75	31.5	78.75	465.2	1237.5	32628	32628	32628	32628	32628	32628	32628					1 1/2 - 2 1/2
FPR-300-9-600	323.9	12.75	3.08	0.99	11	7/16	5.12	11.42	16.54	31.5	78.75	555.3	1489.4	42549	42549	42549	42549	42549	42549	42549					1 1/2 - 3

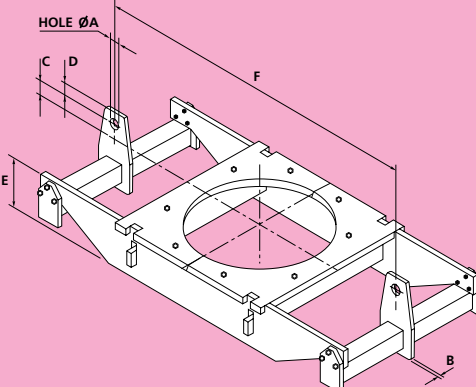
FPR RISER CLAMP FLAT PLATE TYPE



Material: Carbon Steel to 752°F Alloy Steel above 752°F. End Beams and Lugs: Carbon Steel. Order by Part No. and Rod Centres "F"

Part Number	Pipe O/D		A		B		C		D		E		F		Weight lbs		Load Capacity (lbf) at Temperature F							Compatible with Rod Sizes			
	mm	in	in	in	mm	in	mm	in	mm	in	Min.	Max.	Min.	Max.	Min.	Max.	662	752	914	986	1040	1076	1112				
FPR-350-1-400	355.6	14	0.71	0.24	-66	-2 5/8	1.19	6.23	6.23	23.63	78.75	84.9	140.4	1587	1587											3/8 - 5/8	
FPR-350-2-400	355.6	14	0.71	0.32	-66	-2 5/8	1.19	6.23	6.23	23.63	78.75	85.1	173.7	2336	2336											3/8 - 5/8	
FPR-350-3-400	355.6	14	1.08	0.4	-48	-1 7/8	1.78	6.23	6.23	23.63	78.75	86	245.4	4453	4453											3/8 - 1	
FPR-350-4-400	355.6	14	1.33	0.4	-38	-1 1/2	2.17	6.62	7.49	23.63	78.75	94.1	304.2	6966	6966											3/8 - 1 1/4	
FPR-350-5-400	355.6	14	1.58	0.48	-28	-1 1/8	2.56	6.62	7.88	27.56	78.75	125.4	399.5	10053	10053											1/2 - 1 1/2	
FPR-350-6-400	355.6	14	2.08	0.6	-3	-1/8	3.35	7.41	9.85	27.56	78.75	186.7	511.7	16093	16093											3/4 - 2	
FPR-350-7-400	355.6	14	2.33	0.79	12	1/2	3.94	8.19	11.03	27.56	78.75	244.1	714.1	23545	23545											1 - 2 1/4	
FPR-350-8-400	355.6	14	2.58	0.99	32	1 1/4	4.53	8.19	11.82	31.5	78.75	343	860.2	32628	32628											1 1/2 - 2 1/2	
FPR-350-9-400	355.6	14	3.08	0.99	11	7/16	5.12	10.4	13.39	31.5	78.75	407.6	1014.1	42549	42549											1 1/2 - 3	
FPR-350-10-400	355.6	14	3.33	1.19	26	1	5.52	10.4	14.97	31.5	78.75	515.4	1280.9	58863	58863											1 1/2 - 3 1/4	
FPR-350-1-490	355.6	14	0.71	0.24	-66	-2 5/8	1.19	6.23	6.23	23.63	78.75	84.9	140.4	1587	1587	1587	1036	617	440	374	340					3/8 - 5/8	
FPR-350-2-490	355.6	14	0.71	0.32	-66	-2 5/8	1.19	6.23	6.23	23.63	78.75	85.1	173.7	2336	2336	2336	2336	1521	903	661	551					3/8 - 5/8	
FPR-350-3-490	355.6	14	1.08	0.4	-48	-1 7/8	1.78	6.23	6.23	23.63	78.75	86	245.4	4453	4453	4453	4453	2888	1741	1256	1058					3/8 - 1	
FPR-350-4-490	355.6	14	1.33	0.4	-38	-1 1/2	2.17	6.62	7.09	23.63	78.75	94.1	292.1	6966	6966	6966	6966	4519	2711	1940	1675					3/8 - 1 1/4	
FPR-350-5-490	355.6	14	1.58	0.48	-28	-1 1/8	2.56	6.62	7.88	27.56	78.75	125.4	399.5	10053	10053	10053	10053	6525	3924	2821	2403					1/2 - 1 1/2	
FPR-350-6-490	355.6	14	2.08	0.6	-3	-1/8	3.35	7.41	9.85	27.56	78.75	186.7	511.7	16093	16093	16093	16093	10471	6283	4497	3858					3/4 - 2	
FPR-350-7-490	355.6	14	2.33	0.79	12	1/2	3.94	8.19	11.03	27.56	78.75	244.1	714.1	23545	23545	23545	23545	15300	9193	6591	5643					1 - 2 1/4	
FPR-350-8-490	355.6	14	2.58	0.99	32	1 1/4	4.53	8.19	11.82	31.5	78.75	329.6	860.2	32628	32628	32628	32628	21208	12720	9127	7826					1 1/2 - 2 1/2	
FPR-350-9-490	355.6	14	3.08	0.99	11	7/16	5.12	10.4	13.39	31.5	78.75	407.6	1014.1	42549	42549	42549	42549	27668	16600	11904	10207					1 1/2 - 3	
FPR-350-10-490	355.6	14	3.33	1.19	26	1	5.52	10.4	14.97	31.5	78.75	506	1280.9	58863	58863	58863	58863	38272	22950	16490	14131					1 1/2 - 3 1/4	
FPR-350-1-530	355.6	14	0.71	0.24	-66	-2 5/8	1.19	6.23	6.23	23.63	78.75	84.9	140.4	1587	1587	1587	1587	1587	947	705	573					3/8 - 5/8	
FPR-350-2-530	355.6	14	0.71	0.32	-66	-2 5/8	1.19	6.23	6.23	23.63	78.75	85.1	183	2336	2336	2336	2336	2336	1410	1036	837					3/8 - 5/8	
FPR-350-3-530	355.6	14	1.08	0.4	-48	-1 7/8	1.78	6.23	6.3	23.63	78.75	86	257.9	4453	4453	4453	4453	2667	1962	1609						3/8 - 1	
FPR-350-4-530	355.6	14	1.33	0.4	-38	-1 1/2	2.17	6.62	7.88	27.56	78.75	120.4	324.3	6966	6966	6966	6966	6148	4388	3064	2513					3/8 - 1 1/4	
FPR-350-5-530	355.6	14	1.58	0.48	-28	-1 1/8	2.56	6.62	8.67	27.56	78.75	145.7	444	10053	10053	10053	10053	6000	4431	3613						1/2 - 1 1/2	
FPR-350-6-530	355.6	14	2.08	0.6	-3	-1/8	3.35	7.41	9.85	27.56	78.75	192	606.9	16093	16093	16093	16093	9656	7076	5798						3/4 - 2	
FPR-350-7-530	355.6	14	2.33	0.79	12	1/2	3.94	8.19	11.82	27.56	78.75	255.7	752.2	23545	23545	23545	23545	14131	10361	8465						1 - 2 1/4	
FPR-350-8-530	355.6	14	2.58	0.99	32	1 1/4	4.53	8.67	12.6	31.5	78.75	358.9	919.1	32628	32628	32628	32628	19577	14352	11750						1 1/2 - 2 1/2	
FPR-350-9-530	355.6	14	3.08	0.99	11	7/16	5.12	10.4	13.39	31.5	78.75	437.4	1153.7	42549	42549	42549	42549	25529	18717	15322						1 1/2 - 3	
FPR-350-10-530	355.6	14	3.33	1.19	26	1	5.52	10.63	15.75	31.5	78.75	549.4	1332.5	58863	58863	58863	58863	35318	25904	21186						1 1/2 - 3 1/4	
FPR-350-1-560	355.6	14	0.71	0.24	-66	-2 5/8	1.19	6.23	6.23	23.63	78.75	84.9	182.8	1587	1587	1587	1587	1587	1234	925						3/8 - 5/8	
FPR-350-2-560	355.6	14	0.71	0.32	-66	-2 5/8	1.19	6.23	6.23	23.63	78.75	85.1	232.6	2336	2336	2336	2336	2336	1829	1344						3/8 - 5/8	
FPR-350-3-560	355.6	14	1.08	0.4	-48	-1 7/8	1.78	6.23	7.49	23.63	78.75	96.1	294.5	4453	4453	4453	4453	4453	3483	2579						3/8 - 1	
FPR-350-4-560	355.6	14	1.33	0.4	-38	-1 1/2	2.17	6.62	7.88	27.56	78.75	140.7	398.6	6966	6966	6966	6966	6966	5423	4034						3/8 - 1 1/4	
FPR-350-5-560	355.6	14	1.58	0.48	-28	-1 1/8	2.56	6.62	9.85	27.56	78.75	169.1	490.1	10053	10053	10053	10053	10053	7848	5820						1/2 - 1 1/2	
FPR-350-6-560	355.6	14	2.08	0.6	-3	-1/8	3.35	7.41	11.03	27.56	78.75	222	678.1	16093	16093	16093	16093	16093	12544	9325						3/4 - 2	
FPR-350-7-560	355.6	14	2.33	0.79	12	1/2	3.94	8.27	11.82	31.5	78.75	343.7	853.4	23545	23545	23545	23545	23545	18364	13646						1 - 2 1/4	
FPR-350-8-560	355.6	14	2.58	0.99	32	1 1/4	4.53	9.85	13.78	31.5	78.75	396	985.5	32628	32628	32628	32628	25441	18915							1 1/2 - 2 1/2	
FPR-350-9-560	355.6	14	3.08	0.99	11	7/16	5.12	10.4	14.57	31.5	78.75	506.4	1245.6	42549	42549	42549	42549	42549	33179	24669						1 1/2 - 3	
FPR-350-10-560	355.6	14	3.33	1.19	26	1	5.52	11.82	15.75	31.5	78.75	593.5	1515.9	58863	58863	58863	58863	45922	34149							1 1/2 - 3 1/4	
FPR-350-1-600	355.6	14	0.71	0.24	-66	-2 5/8	1.19	6.23	6.23	23.63	78.75	84.9	232.6	1587	1587	1587	1587	1587	1587	1587							3/8 - 5/8
FPR-350-2-600	355.6	14	0.71	0.32	-66	-2 5/8	1.19	6.23	6.7	23.63	78.75	85.1	269.2	2336	2336	2336	2336	2336	2336	2336							3/8 - 5/8
FPR-350-3-600	355.6	14	1.08	0.4	-48	-1 7/8	1.78	6.23	7.88	23.63	78.75	126.8	387.6	4453	4453	4453	4453	4453	4453	4453							3/8 - 1
FPR-350-4-600	355.6	14	1.33	0.4	-38	-1 1/2	2.17	6.62	9.06	27.56	78.75	173.5	544.1	6966	6966	6966	6966	6966	6966	6966							3/8 - 1 1/4
FPR-350-5-600	355.6	14	1.58	0.48	-28	-1 1/8	2.56	7.09	11.03	27.56	78.75	203.9	653.5	10053	10053	10053	10053	10053	10053	10053							1/2 - 1 1/2
FPR-350-6-600	355.6	14	2.08	0.6	-3	-1/8	3.35	7.88	12.21	27.56	78.75	291.7	852.1	16093	16093	16093	16093	16093	16093	16093							3/4 - 2
FPR-350-7-600	355.6	14	2.33	0.79	12	1/2	3.94	9.45	13.39	31.5	78.75	442.2	1089.3	23545	23545	23545	23545	23545	23545	23545							1 - 2 1/4
FPR-350-8-600	355.6	14	2.58	0.99	32	1 1/4	4.53	11.03	14.57	31.5	78.75	502	1337.1	32628	32628	32628	32628	32628	32628	32628							1 1/2 - 2 1/2
FPR-350-9-600	355.6	14	3.08	0.99	11	7/16	5.12	11.42	16.54	31.5	78.75	627.7	1565.3	42549	42549	42549	42549	42549	42549	42549							1 1/2 - 3
FPR-350-10-600	355.6	14	3.33	1.19	26	1	5.52	13	18.12	31.5	78.75	697.1	1867.5	58863	58863	58863	58863	58863	58863	58863							1 1/2 - 3 1/4

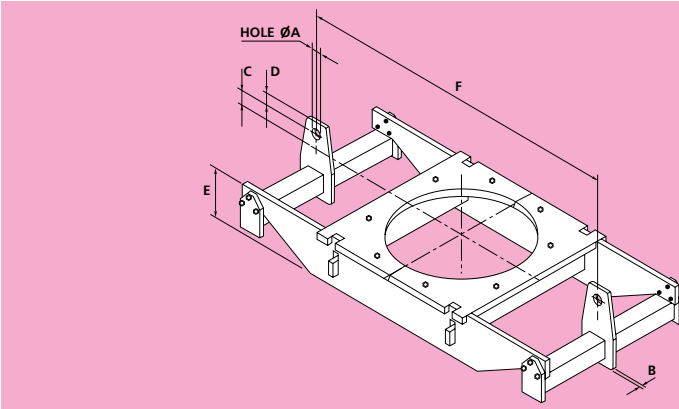
FPR RISER CLAMP FLAT PLATE TYPE



Material: Carbon Steel to 752°F Alloy Steel above 752°F. End Beams and Lugs: Carbon Steel. Order by Part No. and Rod Centres "F"

Part Number	Pipe O/D		A		B		C		D		E		F		Weight lbs		Load Capacity (lbf) at Temperature F						Compatible with Rod Sizes		
	mm	in	in	in	mm	in	mm	in	mm	in	Min.	Max.	Min.	Max.	Min.	Max.	662	752	914	986	1040	1076		1112	
FPR-450-2-400	457.2	18	0.71	0.32	-66	-2.5/8	1.19	6.23	6.23	27.56	98.43	110.5	234.1	2336	2336										3/8 - 5/8
FPR-450-3-400	457.2	18	1.08	0.4	-48	-1.7/8	1.78	6.23	6.7	27.56	98.43	111.3	340.8	4453	4453										3/8 - 1
FPR-450-4-400	457.2	18	1.33	0.4	-38	-1.1/2	2.17	6.62	7.49	31.5	98.43	153.9	480.4	6966	6966										3/8 - 1 1/2
FPR-450-5-400	457.2	18	1.58	0.48	-28	-1.1/8	2.56	7.41	9.06	31.5	98.43	197.8	598.6	10053	10053										1/2 - 1 1/4
FPR-450-6-400	457.2	18	2.08	0.6	-3	-1/8	3.35	7.41	10.24	31.5	98.43	266.3	800.9	16093	16093										3/4 - 2
FPR-450-7-400	457.2	18	2.33	0.79	12	1/2	3.94	8.19	11.42	35.44	98.43	354.1	1015.2	23545	23545										1 - 2 1/4
FPR-450-8-400	457.2	18	2.58	0.99	32	1.1/4	4.53	8.27	13.39	35.44	98.43	448.4	1196	32628	32628										1 - 2 1/2
FPR-450-9-400	457.2	18	3.08	0.99	11	7/16	5.12	10.4	14.18	35.44	98.43	509.7	1502	42549	42549										1 1/2 - 2 1/2
FPR-450-10-400	457.2	18	3.33	1.19	26	1	5.52	11.58	15.75	39.38	98.43	767.6	1934.8	58863	58863										1 1/2 - 3 1/4
FPR-450-11-400	457.2	18	3.33	1.38	-10	-3/8	5.52	13	17.72	39.38	98.43	926.6	2411.6	79366	79366										1 1/2 - 3 1/4
FPR-450-12-400	457.2	18	3.33	1.58	-10	-3/8	5.52	13.39	18.51	39.38	98.43	1056.5	3058.3	101522	101522										1 1/2 - 3 1/4
FPR-450-2-490	457.2	18	0.71	0.32	-66	-2.5/8	1.19	6.23	6.23	27.56	98.43	110.5	234.1	2336	2336	2336	2336	1521	903	661					3/8 - 5/8
FPR-450-3-490	457.2	18	1.08	0.4	-48	-1.7/8	1.78	6.23	6.7	27.56	98.43	111.3	340.8	4453	4453	2888	1741	1256	1058						3/8 - 1
FPR-450-4-490	457.2	18	1.33	0.4	-38	-1.1/2	2.17	6.62	7.49	31.5	98.43	153.9	480.4	6966	6966	6966	4519	2711	1940						3/8 - 1 1/2
FPR-450-5-490	457.2	18	1.58	0.48	-28	-1.1/8	2.56	7.41	8.67	31.5	98.43	197.8	579.6	10053	10053	10053	6525	3924	2821						1/2 - 1 1/4
FPR-450-6-490	457.2	18	2.08	0.6	-3	-1/8	3.35	7.41	10.24	31.5	98.43	266.3	800.9	16093	16093	16093	10471	6283	4497						3/4 - 2
FPR-450-7-490	457.2	18	2.33	0.79	12	1/2	3.94	8.19	11.42	35.44	98.43	354.1	1051.2	23545	23545	15300	9193	6591							1 - 2 1/4
FPR-450-8-490	457.2	18	2.58	0.99	32	1.1/4	4.53	8.19	13	35.44	98.43	419.1	1168	32628	32628	21208	12720	9127							1 1/2 - 2 1/2
FPR-450-9-490	457.2	18	3.08	0.99	11	7/16	5.12	10.4	14.18	35.44	98.43	509.7	1502	42549	42549	27668	16600	11904							1 1/2 - 3
FPR-450-10-490	457.2	18	3.33	1.19	26	1	5.52	11.58	15.75	39.38	98.43	733.3	1934.8	58863	58863	58863	38272	22950	16490						1 1/2 - 3 1/4
FPR-450-11-490	457.2	18	3.33	1.38	-10	-3/8	5.52	13	17.33	39.38	98.43	926.6	2372.2	79366	79366	79366	51588	30952	22222						1 1/2 - 3 1/4
FPR-450-12-490	457.2	18	3.33	1.58	-10	-3/8	5.52	13.39	19.69	39.38	98.43	1056.5	3058.3	103388	103388	13337	65984	39595							1 1/2 - 3 1/4
FPR-450-2-530	457.2	18	0.71	0.32	-66	-2.5/8	1.19	6.23	6.23	27.56	98.43	110.5	294.5	2336	2336	2336	2336	2336	1410						3/8 - 5/8
FPR-450-3-530	457.2	18	1.08	0.4	-48	-1.7/8	1.78	6.23	7.09	27.56	98.43	126.1	368.5	4453	4453	4453	4453	2667							3/8 - 1
FPR-450-4-530	457.2	18	1.33	0.4	-38	-1.1/2	2.17	6.62	8.27	31.5	98.43	177.7	539.5	6966	6966	6966	6966	6966							3/8 - 1 1/4
FPR-450-5-530	457.2	18	1.58	0.48	-28	-1.1/8	2.56	7.41	9.45	31.5	98.43	223.5	618.4	10053	10053	10053	6040	4431	3615						1/2 - 1 1/4
FPR-450-6-530	457.2	18	2.08	0.6	-3	-1/8	3.35	7.41	11.03	31.5	98.43	272.7	847.7	16093	16093	16093	16093	9556							3/4 - 2
FPR-450-7-530	457.2	18	2.33	0.79	12	1/2	3.94	8.19	12.21	35.44	98.43	402.8	1106.3	23545	23545	23545	14131	10361							1 - 2 1/4
FPR-450-8-530	457.2	18	2.58	0.99	32	1.1/4	4.53	8.67	13.39	35.44	98.43	457.9	1379.2	32628	32628	32628	32628	19577							1 1/2 - 2 1/2
FPR-450-9-530	457.2	18	3.08	0.99	11	7/16	5.12	10.4	14.97	35.44	98.43	548.7	1588.4	42549	42549	42549	25529	18717							1 1/2 - 3
FPR-450-10-530	457.2	18	3.33	1.19	26	1	5.52	11.58	16.54	39.38	98.43	739.3	2032.9	58863	58863	58863	58863	3218							1 1/2 - 3 1/4
FPR-450-11-530	457.2	18	3.33	1.38	-10	-3/8	5.52	13	18.12	39.38	98.43	940.5	2452	79366	79366	79366	79366	4719							1 1/2 - 3 1/4
FPR-450-12-530	457.2	18	3.33	1.58	-10	-3/8	5.52	13.39	18.99	39.38	98.43	1175.9	3098.1	101522	101522	101522	101522	60913							1 1/2 - 3 1/4
FPR-450-2-560	457.2	18	0.71	0.32	-66	-2.5/8	1.19	6.23	6.23	27.56	98.43	110.5	309.5	2336	2336	2336	2336	2336							3/8 - 5/8
FPR-450-3-560	457.2	18	1.08	0.4	-48	-1.7/8	1.78	6.23	7.09	31.5	98.43	144.2	449.5	4453	4453	4453	4453	4453							3/8 - 1
FPR-450-4-560	457.2	18	1.33	0.4	-38	-1.1/2	2.17	6.62	9.06	31.5	98.43	187.2	578.1	6966	6966	6966	6966	6966							3/8 - 1 1/4
FPR-450-5-560	457.2	18	1.58	0.48	-28	-1.1/8	2.56	7.41	9.45	31.5	98.43	263.2	729.3	10053	10053	10053	10053	10053							1/2 - 1 1/4
FPR-450-6-560	457.2	18	2.08	0.6	-3	-1/8	3.35	7.88	11.03	31.5	98.43	312.4	962.3	16093	16093	16093	16093	12844							3/4 - 2
FPR-450-7-560	457.2	18	2.33	0.79	12	1/2	3.94	8.67	13.39	35.44	98.43	451.1	1189.2	23545	23545	23545	23545	23545							1 - 2 1/4
FPR-450-8-560	457.2	18	2.58	0.99	32	1.1/4	4.53	9.85	14.18	35.44	98.43	505.7	1442.3	32628	32628	32628	32628	25441							1 1/2 - 2 1/2
FPR-450-9-560	457.2	18	3.08	0.99	11	7/16	5.12	10.4	15.36	35.44	98.43	659.6	1816.2	42549	42549	42549	42549	42549							1 1/2 - 3
FPR-450-10-560	457.2	18	3.33	1.19	26	1	5.52	11.82	17.72	39.38	98.43	881.4	2139.8	58863	58863	58863	58863	45922							1 1/2 - 3 1/4
FPR-450-11-560	457.2	18	3.33	1.38	-10	-3/8	5.52	13.78	19.69	39.38	98.43	1041.2	2663.6	79366	79366	79366	79366	79366							1 1/2 - 3 1/4
FPR-450-12-560	457.2	18	3.33	1.58	-10	-3/8	5.52	14.57	19.69	39.38	98.43	1270.3	3025.1	101522	101522	101522	101522	79190							1 1/2 - 3 1/4
FPR-450-2-600	457.2	18	0.71	0.32	-66	-2.5/8	1.19	6.23	7.49	27.56	98.43	125.4	382.3	2336	2336	2336	2336	2336							3/8 - 5/8
FPR-450-3-600	457.2	18	1.08	0.4	-48	-1.7/8	1.78	6.23	9.06	31.5	98.43	177.5	565.7	4453	4453	4453	4453	4453							3/8 - 1
FPR-450-4-600	457.2	18	1.33	0.4	-38	-1.1/2	2.17	6.62	10.24	31.5	98.43	246.3	774	6966	6966	6966	6966	6966							3/8 - 1 1/4
FPR-450-5-600	457.2	18	1.58	0.48	-28	-1.1/8	2.56	7.88	11.82	31.5	98.43	309.3	891.1	10053	10053	10053	10053	10053							1/2 - 1 1/4
FPR-450-6-600	457.2	18	2.08	0.6	-3	-1/8	3.35	8.67	13.78	31.5	98.43	402.1	1196.7	16093	16093	16093	16093	16093							3/4 - 2
FPR-450-7-600	457.2	18	2.33	0.79	12	1/2	3.94	9.45	15.36	35.44	98.43	558.9	1552.3	23545	23545	23545	23545	23545							1 - 2 1/4
FPR-450-8-600	457.2	18	2.58	0.99	32	1.1/4	4.53	11.03	16.54	35.44	98.43	631.6	1883	32628	32628	32628	32628	25441							1 1/2 - 2 1/2
FPR-450-9-600	457.2	18	3.08	0.99	11	7/16	5.12	12.6	17.33	39.38	98.43	843.7	2232.3	42549	42549	42549	42549	42549							1 1/2 - 3
FPR-450-10-600	457.2	18	3.33	1.19	26	1	5.52	13.39	17.72	39.38	98.43	1096.8	2865.3	5886											

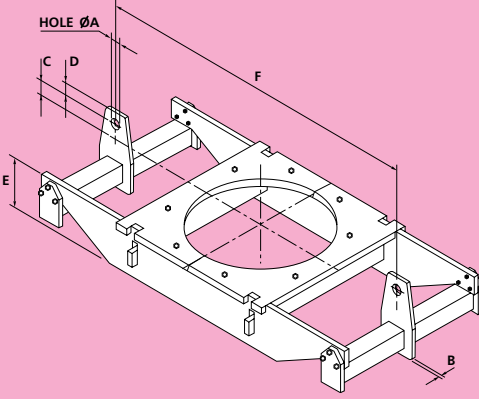
FPR RISER CLAMP FLAT PLATE TYPE



Material: Carbon Steel to 752°F Alloy Steel above 752°F. End Beams and Lugs: Carbon Steel. Order by Part No. and Rod Centres "F"

Part Number	Pipe O/D	A	B	C	D	E	F	Weight lbs		Load Capacity (lb) at Temperature F								Compatible with Rod Sizes			
								662	752	914	986	1040	1076	1112							
FPR-500-2-400	508	20	0.71	0.32	-66	-2.5/8	1.19	6.23	6.23	31.5	98.43	126.5	247.8	2336	2336				3/8 - 5/8		
FPR-500-3-400	508	20	1.08	0.4	-48	-1.7/8	1.78	6.62	6.62	31.5	98.43	137.1	351.6	445.3	445.3				3/8 - 1		
FPR-500-4-400	508	20	1.33	0.4	-38	-1.1/2	2.17	6.62	7.88	31.5	98.43	170.4	428.6	696.6	696.6				3/8 - 1 1/2		
FPR-500-5-400	508	20	1.58	0.48	-28	-1.1/8	2.56	7.41	8.67	35.44	98.43	230.2	605.4	1005.3	1005.3				1/2 - 1 1/2		
FPR-500-6-400	508	20	2.08	0.6	-3	-1/8	3.35	8.19	10.24	35.44	98.43	329.2	869.1	1609.3	1609.3				3/4 - 2		
FPR-500-7-400	508	20	2.33	0.79	12	1/2	3.94	8.19	11.42	35.44	98.43	388	1093.1	2354.5	2354.5				1 - 2 1/4		
FPR-500-8-400	508	20	2.58	0.99	32	1 1/4	4.53	8.98	13.39	39.38	98.43	539.9	1299.6	3262.8	3262.8				1 1/2 - 2 1/2		
FPR-500-9-400	508	20	3.08	0.99	11	7/16	5.12	10.4	14.18	39.38	98.43	611.1	1581.4	4254.9	4254.9				1 1/2 - 3		
FPR-500-10-400	508	20	3.33	1.19	26	-	5.52	11.58	15.75	39.38	98.43	810.4	2027.2	5886.3	5886.3				1 1/2 - 3 1/4		
FPR-500-11-400	508	20	3.33	1.38	-10	-3/8	5.52	13	17.33	43.31	98.43	1033.1	2450.2	7936.6	7936.6				1 1/2 - 3 1/4		
FPR-500-12-400	508	20	3.33	1.58	-10	-3/8	5.52	13.78	19.69	43.31	98.43	1178.6	2786.9	10152.2	10152.2				1 1/2 - 3 1/4		
FPR-500-13-400	508	20	3.33	1.58	-46	-1.1316	5.52	15.6	20.48	43.31	98.43	1487	3603.2	12401.0	12401.0				1 1/2 - 3 1/4		
FPR-500-2-490	508	20	0.71	0.32	-66	-2.5/8	1.19	6.23	6.23	31.5	98.43	126.5	247.8	2336	2336	1521	903	661	551	3/8 - 5/8	
FPR-500-3-490	508	20	1.08	0.4	-48	-1.7/8	1.78	6.62	6.62	31.5	98.43	137.1	351.6	445.3	445.3	2888	1741	1256	1058	3/8 - 1	
FPR-500-4-490	508	20	1.33	0.4	-38	-1.1/2	2.17	6.62	7.88	31.5	98.43	170.4	428.6	696.6	696.6	4519	2711	1940	1675	3/8 - 1 1/4	
FPR-500-5-490	508	20	1.58	0.48	-28	-1.1/8	2.56	7.41	8.67	35.44	98.43	230.2	605.4	1005.3	1005.3	6525	3924	2821	2403	1/2 - 1 1/2	
FPR-500-6-490	508	20	2.08	0.6	-3	-1/8	3.35	8.19	10.24	35.44	98.43	329.2	869.1	1609.3	1609.3	10471	6283	4497	3858	3/4 - 2	
FPR-500-7-490	508	20	2.33	0.79	12	1/2	3.94	8.19	11.42	35.44	98.43	388	1093.1	2354.5	2354.5	15300	9193	6591	5643	1 - 2 1/4	
FPR-500-8-490	508	20	2.58	0.99	32	1 1/4	4.53	8.98	13.39	39.38	98.43	539.9	1299.6	3262.8	3262.8	21208	12720	9127	7826	1 1/2 - 2 1/2	
FPR-500-9-490	508	20	3.08	0.99	11	7/16	5.12	10.4	14.18	39.38	98.43	611.1	1581.4	4254.9	4254.9	27668	16600	11904	10207	1 1/2 - 3	
FPR-500-10-490	508	20	3.33	1.19	26	-	5.52	11.58	15.75	39.38	98.43	810.4	2027.2	5886.3	5886.3	38272	22950	16490	14131	1 1/2 - 3 1/4	
FPR-500-11-490	508	20	3.33	1.38	-10	-3/8	5.52	13	17.33	39.38	98.43	921.3	2450.2	7936.6	7936.6	51588	30952	22222	19047	1 1/2 - 3 1/4	
FPR-500-12-490	508	20	3.33	1.58	-10	-3/8	5.52	13.78	19.69	43.31	98.43	1178.6	2786.9	10152.2	10152.2	65984	39599	28472	24361	1 1/2 - 3 1/4	
FPR-500-13-490	508	20	3.33	1.58	-46	-1.1316	5.52	15.6	20.48	43.31	98.43	1487	3440.5	12401.0	12401.0	80601	48399	34722	29762	1 1/2 - 3 1/4	
FPR-500-2-530	508	20	0.71	0.32	-66	-2.5/8	1.19	6.23	6.23	31.5	98.43	126.5	247.8	2336	2336	2336	1410	1036	837	3/8 - 5/8	
FPR-500-3-530	508	20	1.08	0.4	-48	-1.7/8	1.78	6.62	6.62	31.5	98.43	137.1	351.6	445.3	445.3	445.3	2667	1962	1609	3/8 - 1	
FPR-500-4-530	508	20	1.33	0.4	-38	-1.1/2	2.17	6.62	7.88	31.5	98.43	170.4	428.6	696.6	696.6	696.6	4188	3064	2513	3/8 - 1 1/4	
FPR-500-5-530	508	20	1.58	0.48	-28	-1.1/8	2.56	7.41	8.67	35.44	98.43	230.2	605.4	1005.3	1005.3	1005.3	6040	4431	3615	1/2 - 1 1/2	
FPR-500-6-530	508	20	2.08	0.6	-3	-1/8	3.35	8.19	10.24	35.44	98.43	343.9	892.4	1609.3	1609.3	1609.3	9656	7076	5798	3/4 - 2	
FPR-500-7-530	508	20	2.33	0.79	12	1/2	3.94	8.19	11.42	35.44	98.43	437.8	1121.5	2354.5	2354.5	2354.5	14131	10361	8465	1 - 2 1/4	
FPR-500-8-530	508	20	2.58	0.99	32	1 1/4	4.53	9.06	13.39	39.38	98.43	549.6	1434.1	3262.8	3262.8	3262.8	19577	14352	11750	11750	1 1/2 - 2 1/2
FPR-500-9-530	508	20	3.08	0.99	11	7/16	5.12	10.4	14.97	39.38	98.43	683	1645.5	4254.9	4254.9	4254.9	25529	18717	15322	11750	1 1/2 - 3
FPR-500-10-530	508	20	3.33	1.19	26	-	5.52	11.58	15.75	39.38	98.43	861.8	2100.3	5886.3	5886.3	5886.3	35318	25904	2186	11750	1 1/2 - 3 1/4
FPR-500-11-530	508	20	3.33	1.38	-10	-3/8	5.52	13.39	18.51	43.31	98.43	1132.7	2630.6	7936.6	7936.6	7936.6	47619	34921	28571	11750	1 1/2 - 3 1/4
FPR-500-12-530	508	20	3.33	1.58	-10	-3/8	5.52	13.78	18.51	43.31	98.43	1307.1	3157.5	10152.2	10152.2	10152.2	60913	44665	36552	11750	1 1/2 - 3 1/4
FPR-500-13-530	508	20	3.33	1.58	-46	-1.1316	5.52	15.6	20.48	43.31	98.43	1521.6	3603.2	12401.0	12401.0	12401.0	74406	54564	44453	11750	1 1/2 - 3 1/4
FPR-500-2-560	508	20	0.71	0.32	-66	-2.5/8	1.19	6.23	6.23	31.5	98.43	126.5	247.8	2336	2336	2336	1410	1036	837	3/8 - 5/8	
FPR-500-3-560	508	20	1.08	0.4	-48	-1.7/8	1.78	6.62	6.62	31.5	98.43	137.1	351.6	445.3	445.3	445.3	445.3	2667	1962	1609	3/8 - 1
FPR-500-4-560	508	20	1.33	0.4	-38	-1.1/2	2.17	6.62	7.88	31.5	98.43	170.4	428.6	696.6	696.6	696.6	4188	3064	2513	3/8 - 1 1/4	
FPR-500-5-560	508	20	1.58	0.48	-28	-1.1/8	2.56	7.41	8.67	35.44	98.43	230.2	605.4	1005.3	1005.3	1005.3	1005.3	7848	5820	4820	1/2 - 1 1/2
FPR-500-6-560	508	20	2.08	0.6	-3	-1/8	3.35	8.19	10.24	35.44	98.43	382.7	1060.4	1609.3	1609.3	1609.3	10993	82544	9325	3/4 - 2	
FPR-500-7-560	508	20	2.33	0.79	12	1/2	3.94	8.67	13.39	35.44	98.43	491.2	1259.1	2354.5	2354.5	2354.5	23545	13644	13644	1 - 2 1/4	
FPR-500-8-560	508	20	2.58	0.99	32	1 1/4	4.53	9.45	14.18	39.38	98.43	663.4	1558.7	3262.8	3262.8	3262.8	25428	18564	18564	18915	1 1/2 - 2 1/2
FPR-500-9-560	508	20	3.08	0.99	11	7/16	5.12	10.63	14.97	39.38	98.43	745.4	1841.5	4254.9	4254.9	4254.9	25529	18717	15322	11750	1 1/2 - 3
FPR-500-10-560	508	20	3.33	1.19	26	-	5.52	12.21	17.72	43.31	98.43	986.1	2338.8	5886.3	5886.3	5886.3	35318	25904	2186	11750	1 1/2 - 3 1/4
FPR-500-11-560	508	20	3.33	1.38	-10	-3/8	5.52	13.39	19.31	43.31	98.43	1258.6	2712.3	7936.6	7936.6	7936.6	47619	34921	28571	11750	1 1/2 - 3 1/4
FPR-500-12-560	508	20	3.33	1.58	-10	-3/8	5.52	14.97	21.33	43.31	98.43	1416.7	3256.2	10152.2	10152.2	10152.2	60913	44665	36552	11750	1 1/2 - 3 1/4
FPR-500-13-560	508	20	3.33	1.58	-46	-1.1316	5.52	15.6	21.66	43.31	98.43	1689.2	3751.6	12401.0	12401.0	12401.0	74406	54564	44453	11750	1 1/2 - 3 1/4
FPR-500-2-600	508	20	0.71	0.32	-66	-2.5/8	1.19	6.23	6.23	31.5	98.43	126.5	247.8	2336	2336	2336	1410	1036	837	3/8 - 5/8	
FPR-500-3-600	508	20	1.08	0.4	-48	-1.7/8	1.78	6.62	6.62	31.5	98.43	137.1	351.6	445.3	445.3	445.3	445.3	2667	1962	1609	3/8 - 1
FPR-500-4-600	508	20	1.33	0.4	-38	-1.1/2	2.17	6.62	7.88	31.5	98.43	170.4	428.6	696.6	696.6	696.6	4188	3064	2513	3/8 - 1 1/4	
FPR-500-5-600																					

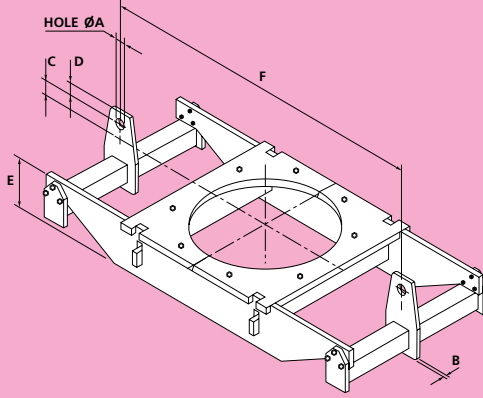
FPR RISER CLAMP FLAT PLATE TYPE



Material: Carbon Steel to 752°F Alloy Steel above 752°F. End Beams and Lugs: Carbon Steel. Order by Part No. and Rod Centres "F"

Part Number	Pipe O/D		A		B		C		D		E		F		Weight lbs		Load Capacity (lbf) at Temperature F							Compatible with Rod Sizes
	mm	in	in	in	mm	in	mm	in	Min.	Max.	Min.	Max.	Min.	Max.	662	752	914	986	1040	1076	1112			
FPR-550-3-400	558.8	22	1.08	0.4	-48	-1 7/8	1.78	6.62	6.7	35.44	98.43	175	400.1	4453	4453								3/8 - 1	
FPR-550-4-400	558.8	22	1.33	0.4	-38	-1 1/2	2.17	6.62	7.49	35.44	98.43	224.9	550.5	6966	6966								3/8 - 1 1/4	
FPR-550-5-400	558.8	22	1.58	0.48	-28	-1 1/8	2.56	7.41	8.67	35.44	98.43	276.2	631.8	10053	10053								1/2 - 1 1/2	
FPR-550-6-400	558.8	22	2.08	0.6	-3	-1 1/8	3.35	8.19	9.85	39.38	98.43	375.2	879.6	16093	16093								3/4 - 2	
FPR-550-7-400	558.8	22	2.33	0.79	12	1/2	3.94	8.19	11.42	39.38	98.43	477.1	1135.2	23545	23545								1 - 2 1/4	
FPR-550-8-400	558.8	22	2.58	0.99	32	1 1/4	4.53	8.98	13	39.38	98.43	582.7	1320.1	32628	32628								1 1/2 - 2 1/2	
FPR-550-9-400	558.8	22	3.08	0.99	11	7/16	5.12	11.58	14.18	43.31	98.43	805.3	1704.8	42549	42549								1 1/2 - 3	
FPR-550-10-400	558.8	22	3.33	1.19	26	1	5.52	11.58	15.75	43.31	98.43	901.7	2096.6	58863	58863								1 1/2 - 3 1/4	
FPR-550-11-400	558.8	22	3.33	1.38	-10	-3/8	5.52	13	17.72	43.31	98.43	1183	2663.4	79366	79366								1 1/2 - 3 1/4	
FPR-550-12-400	558.8	22	3.33	1.58	-10	-3/8	5.52	14.18	19.69	43.31	98.43	1290.1	2952	101522	101522								1 1/2 - 3 1/4	
FPR-550-13-400	558.8	22	3.33	1.58	-46	-1 13/16	5.52	16.38	20.08	47.25	98.43	1713.9	3742.1	124010	124010								1 1/2 - 3 1/4	
FPR-550-3-490	558.8	22	1.08	0.4	-48	-1 7/8	1.78	6.62	6.7	35.44	98.43	175	400.1	4453	4453	2888	1741	1256	1058				3/8 - 1	
FPR-550-4-490	558.8	22	1.33	0.4	-38	-1 1/2	2.17	6.62	7.49	35.44	98.43	224.9	550.5	6966	6966	4519	2711	1940	1678				3/8 - 1 1/4	
FPR-550-5-490	558.8	22	1.58	0.48	-28	-1 1/8	2.56	7.41	8.67	35.44	98.43	276.2	631.8	10053	10053	6525	3924	2821	2403				1/2 - 1 1/2	
FPR-550-6-490	558.8	22	2.08	0.6	-3	-1 1/8	3.35	8.19	9.85	39.38	98.43	375.2	879.6	16093	16093	10471	6283	4497	3858				3/4 - 2	
FPR-550-7-490	558.8	22	2.33	0.79	12	1/2	3.94	8.19	11.82	39.38	98.43	477.1	1136.8	23545	23545	15300	9193	6591	5626				1 - 2 1/4	
FPR-550-8-490	558.8	22	2.58	0.99	32	1 1/4	4.53	8.98	13	39.38	98.43	582.7	1302.6	32628	32628	21208	12720	9127	7843				1 1/2 - 2 1/2	
FPR-550-9-490	558.8	22	3.08	0.99	11	7/16	5.12	11.58	14.18	43.31	98.43	805.3	1704.8	42549	42549	27668	16600	11904	10207				1 1/2 - 3	
FPR-550-10-490	558.8	22	3.33	1.19	26	1	5.52	11.58	15.36	43.31	98.43	901.7	20587	58863	58863	38272	22950	16960	14131				1 1/2 - 3 1/4	
FPR-550-11-490	558.8	22	3.33	1.38	-10	-3/8	5.52	13	17.72	43.31	98.43	1183	2396.2	79366	79366	79366	51588	30952	22222	19047				1 1/2 - 3 1/4
FPR-550-12-490	558.8	22	3.33	1.58	-10	-3/8	5.52	14.18	19.3	43.31	98.43	1290.1	2909.4	101522	101522	101522	65984	39595	28417	24361				1 1/2 - 3 1/4
FPR-550-13-490	558.8	22	3.33	1.58	-46	-1 13/16	5.52	16.38	20.08	47.25	98.43	1694.9	3742.1	124010	124010	124010	80601	48369	34722	29762				1 1/2 - 3 1/4
FPR-550-3-530	558.8	22	1.08	0.4	-48	-1 7/8	1.78	6.62	7.09	35.44	98.43	185.8	416	4453	4453	4453	4453	2667	1962	1609				3/8 - 1
FPR-550-4-530	558.8	22	1.33	0.4	-38	-1 1/2	2.17	6.62	7.88	35.44	98.43	235.9	570.6	6966	6966	6966	6966	4188	3064	2513				3/8 - 1 1/4
FPR-550-5-530	558.8	22	1.58	0.48	-28	-1 1/8	2.56	7.41	9.45	35.44	98.43	319.7	671.5	10053	10053	10053	6040	4431	3615				1/2 - 1 1/2	
FPR-550-6-530	558.8	22	2.08	0.6	-3	-1 1/8	3.35	8.19	10.63	39.38	98.43	419.8	927.7	16093	16093	16093	9656	7046	5798				3/4 - 2	
FPR-550-7-530	558.8	22	2.33	0.79	12	1/2	3.94	8.19	11.82	39.38	98.43	527.1	1164	23545	23545	23545	14131	10261	8465				1 - 2 1/4	
FPR-550-8-530	558.8	22	2.58	0.99	32	1 1/4	4.53	9.45	13.78	39.38	98.43	633.2	1376.6	32628	32628	32628	19577	13522	11750				1 1/2 - 2 1/2	
FPR-550-9-530	558.8	22	3.08	0.99	11	7/16	5.12	11.58	14.57	43.31	98.43	863.3	1736.8	42549	42549	42549	25529	18717	15322				1 1/2 - 3	
FPR-550-10-530	558.8	22	3.33	1.19	26	1	5.52	11.82	16.54	43.31	98.43	959.7	2205.1	58863	58863	58863	35318	25904	21186				1 1/2 - 3 1/4	
FPR-550-11-530	558.8	22	3.33	1.38	-10	-3/8	5.52	13	18.12	43.31	98.43	1199.5	2705.7	79366	79366	79366	47619	34921	28571				1 1/2 - 3 1/4	
FPR-550-12-530	558.8	22	3.33	1.58	-10	-3/8	5.52	14.57	18.51	47.25	98.43	1586	3341.1	101522	101522	101522	60913	44665	36552				1 1/2 - 3 1/4	
FPR-550-13-530	558.8	22	3.33	1.58	-46	-1 13/16	5.52	16.38	20.48	47.25	98.43	1734.6	3793.9	124010	124010	124010	74406	54564	44643				1 1/2 - 3 1/4	
FPR-550-3-560	558.8	22	1.08	0.4	-48	-1 7/8	1.78	6.62	7.09	35.44	98.43	230.2	501.1	4453	4453	4453	4453	3483	2579				3/8 - 1	
FPR-550-4-560	558.8	22	1.33	0.4	-38	-1 1/2	2.17	6.62	8.67	35.44	98.43	265.7	610	6966	6966	6966	6966	4188	3024				3/8 - 1 1/4	
FPR-550-5-560	558.8	22	1.58	0.48	-28	-1 1/8	2.56	7.41	9.45	35.44	98.43	334.7	817.3	10053	10053	10053	6040	4431	3615				1/2 - 1 1/2	
FPR-550-6-560	558.8	22	2.08	0.6	-3	-1 1/8	3.35	8.19	11.82	39.38	98.43	481.5	1031.3	16093	16093	16093	9656	7046	5798				3/4 - 2	
FPR-550-7-560	558.8	22	2.33	0.79	12	1/2	3.94	9.06	13	39.38	98.43	557.3	1278.7	23545	23545	23545	14131	10261	8465				1 - 2 1/4	
FPR-550-8-560	558.8	22	2.58	0.99	32	1 1/4	4.53	9.85	14.18	43.31	98.43	744.3	1616.6	32628	32628	32628	32628	25419	18959				1 1/2 - 2 1/2	
FPR-550-9-560	558.8	22	3.08	0.99	11	7/16	5.12	11.58	14.97	43.31	98.43	890.4	2016.3	42549	42549	42549	27668	16600	11904				1 1/2 - 3	
FPR-550-10-560	558.8	22	3.33	1.19	26	1	5.52	12.21	17.33	43.31	98.43	1111.6	2279.1	58863	58863	58863	58863	34832	24149				1 1/2 - 3 1/4	
FPR-550-11-560	558.8	22	3.33	1.38	-10	-3/8	5.52	13.78	19.3	43.31	98.43	1246.5	2828.5	79366	79366	79366	79366	45922	31419				1 1/2 - 3 1/4	
FPR-550-12-560	558.8	22	3.33	1.58	-10	-3/8	5.52	15.75	19.69	47.25	98.43	1645.3	3566.4	101522	101522	101522	101522	79190	58885				1 1/2 - 3 1/4	
FPR-550-13-560	558.8	22	3.33	1.58	-46	-1 13/16	5.52	16.38	21.26	47.25	98.43	2008.0	3895.1	124010	124010	124010	96738	71936					1 1/2 - 3 1/4	
FPR-550-3-600	558.8	22	1.08	0.4	-48	-1 7/8	1.78	6.62	8.67	35.44	98.43	265.4	609.6	4453	4453	4453	4453	4453	4453				3/8 - 1	
FPR-550-4-600	558.8	22	1.33	0.4	-38	-1 1/2	2.17	7.09	9.85	35.44	98.43	323.6	815.3	6966	6966	6966	6966	4188	3064				3/8 - 1 1/4	
FPR-550-5-600	558.8	22	1.58	0.48	-28	-1 1/8	2.56	7.41	11.82	35.44	98.43	425.1	991.4	10053	10053	10053	6040	4431	3615				1/2 - 1 1/2	
FPR-550-6-600	558.8	22	2.08	0.6	-3	-1 1/8	3.35	9.45	13.39	39.38	98.43	592.4	1302.1	16093	16093	16093	9656	7046	5798				3/4 - 2	
FPR-550-7-600	558.8	22	2.33	0.79	12	1/2	3.94	10.24	14.97	39.38	98.43	729.7	1635.6	23545	23545	23545	14131	10261	8465				1 - 2 1/4	
FPR-550-8-600	558.8	22	2.58	0.99	32	1 1/4	4.53	11.03	16.15	43.31	98.43	915.4	2012.6	32628	32628	32628	32628	25419	18959				1 1/2 - 2 1/2	
FPR-550-9-600	558.8	22	3.08	0.99	11	7/16	5.12	13	16.93	43.31	98.43	1132.1	2419.6	42549	42549	42549	27668	16600	11904				1 1/2 - 3	
FPR-550-10-600	558.8	22	3.33	1.19	26	1	5.52	13.78	19.69	43.31	98.43	1367.5	2781.9	58863	58863	58863	58863	34832	24149				1 1/2 - 3 1/4	
FPR-550-11-600	558.8	22	3.33	1.38	-10	-3/8	5.52	15.75	20.08	47.25	98.43	1742.1	3579.7	79366	79366	79366	79366	45922	31419				1 1/2 - 3 1/4	
FPR-550-12-6																								

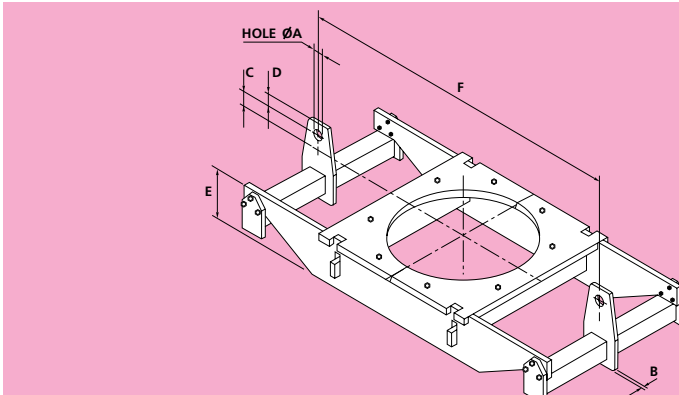
FPR RISER CLAMP FLAT PLATE TYPE



Material: Carbon Steel to 752°F Alloy Steel above 752°F. End Beams and Lugs: Carbon Steel. Order by Part No. and Rod Centres "F"

Part Number	Pipe O.D.		A		B		C		D		E		F		Weight lbs		Load Capacity (lbf) at Temperature F								Compatible with Rod Sizes		
	mm	in	in	in	mm	in	mm	in	mm	in	Min.	Max.	Min.	Max.	Min.	Max.	662	752	914	986	1040	1076	1112				
FPR-600-3-400	609.6	24	1.08	0.4	-48	-1/78	1.78	6.62	6.62	35.44	98.43	193.3	405.4	4453	4453										3/8 - 1		
FPR-600-4-400	609.6	24	1.33	0.4	-38	-1/12	2.17	7.41	7.49	39.38	98.43	276.2	599.2	6966	6966										3/8 - 1 1/4		
FPR-600-5-400	609.6	24	1.58	0.48	-28	-1/18	2.56	7.41	8.67	39.38	98.43	317.5	661.2	10053	10053										1/2 - 1 1/2		
FPR-600-6-400	609.6	24	2.08	0.6	-3	-1/8	3.35	8.19	9.85	39.38	98.43	417.1	918.4	16093	16093										3/4 - 2		
FPR-600-7-400	609.6	24	2.33	0.79	12	1/2	3.94	8.19	11.82	43.31	98.43	539.7	1082.2	23545	23545										1 - 2 1/4		
FPR-600-8-400	609.6	24	2.58	0.99	32	1 1/4	5.12	8.19	13	43.31	98.43	655	1378	32628	32628										1 1/2 - 2 1/2		
FPR-600-9-400	609.6	24	3.08	0.99	11	7/16	5.12	11.58	13.78	47.25	98.43	894.6	1735	42549	42549										1 1/2 - 3		
FPR-600-10-400	609.6	24	3.33	1.19	26	1	5.52	11.58	15.36	47.25	98.43	1037.1	2133	58863	58863										1 1/2 - 3 1/4		
FPR-600-11-400	609.6	24	3.33	1.38	-10	-3/8	5.52	13	17.33	47.25	98.43	1314.2	2723.4	79366	79366										1 1/2 - 3 1/4		
FPR-600-12-400	609.6	24	3.33	1.58	-10	-3/8	5.52	14.18	19.3	47.25	98.43	1423.7	3011.7	101522	101522										1 1/2 - 3 1/4		
FPR-600-13-400	609.6	24	3.33	1.58	-46	-1/13/16	5.52	16.38	20.08	47.25	98.43	1775.4	3865.8	124010	124010										1 1/2 - 3 1/4		
FPR-600-3-490	609.6	24	1.08	0.4	-48	-1/78	1.78	6.62	6.62	35.44	98.43	193.3	405.4	4453	4453	453	2888	1741	1256	1058					3/8 - 1		
FPR-600-4-490	609.6	24	1.33	0.4	-38	-1/12	2.17	7.41	7.88	39.38	98.43	276.2	521.2	6966	6966	6966	4519	2711	1940	1675	388				3/8 - 1 1/4		
FPR-600-5-490	609.6	24	1.58	0.48	-28	-1/18	2.56	7.41	8.67	39.38	98.43	317.5	661.2	10053	10053	10053	6525	3924	2821	2403	112				1/2 - 1 1/2		
FPR-600-6-490	609.6	24	2.08	0.6	-3	-1/8	3.35	8.19	9.85	39.38	98.43	417.1	918.4	16093	16093											3/4 - 2	
FPR-600-7-490	609.6	24	2.33	0.79	12	1/2	3.94	8.19	11.82	43.31	98.43	539.7	1082.2	23545	23545	23545	15300	9193	6591	5643					1 - 2 1/4		
FPR-600-8-490	609.6	24	2.58	0.99	32	1 1/4	5.12	8.19	13	43.31	98.43	655	1374.4	32628	32628	32628	21208	12720	9127	7826	1				1 1/2 - 2 1/2		
FPR-600-9-490	609.6	24	3.08	0.99	11	7/16	5.12	11.58	13.78	47.25	98.43	894.6	1735	42549	42549	42549	27668	16600	11904	10207	1				1 1/2 - 3		
FPR-600-10-490	609.6	24	3.33	1.19	26	1	5.52	11.58	15.36	47.25	98.43	1000.7	2133	58863	58863	58863	38272	22950	16490	14131	1				1 1/2 - 3 1/4		
FPR-600-11-490	609.6	24	3.33	1.38	-10	-3/8	5.52	13	17.33	47.25	98.43	1314.2	2723.4	79366	79366	79366	51588	30952	22222	19047	1				1 1/2 - 3 1/4		
FPR-600-12-490	609.6	24	3.33	1.58	-10	-3/8	5.52	14.18	19.3	47.25	98.43	1423.7	3011.7	101522	101522	101522	65984	39595	28417	24361	1				1 1/2 - 3 1/4		
FPR-600-13-490	609.6	24	3.33	1.58	-46	-1/13/16	5.52	16.38	19.69	47.25	98.43	1775.4	3816	124010	124010	124010	80601	48369	34722	29762	1				1 1/2 - 3 1/4		
FPR-600-4-530	609.6	24	1.33	0.4	-38	-1/12	2.17	7.41	7.88	39.38	98.43	282.2	619.7	6966	6966	6966	6966	4188	3064	2513	388				1 - 1 1/2		
FPR-600-5-530	609.6	24	1.58	0.48	-28	-1/18	2.56	7.41	9.45	39.38	98.43	367.3	736.1	10053	10053	10053	10053	6040	4431	3615	1				1 - 1 1/4		
FPR-600-6-530	609.6	24	2.08	0.6	-3	-1/8	3.35	8.19	10.63	39.38	98.43	467.2	1003.3	16093	16093	16093	16093	9656	7076	5798	3/4				2		
FPR-600-7-530	609.6	24	2.33	0.79	12	1/2	3.94	8.27	11.82	43.31	98.43	596.8	1247.4	23545	23545	23545	23545	14311	10361	8465	1				1 - 2 1/4		
FPR-600-8-530	609.6	24	2.58	0.99	32	1 1/4	4.53	9.85	13.78	43.31	98.43	712.5	1467.8	32628	32628	32628	32628	19577	14352	11750	1				1 1/2 - 2 1/2		
FPR-600-9-530	609.6	24	3.08	0.99	11	7/16	5.12	11.58	14.57	47.25	98.43	960.1	1839.1	42549	42549	42549	42549	25529	18717	13522	1				1 1/2 - 3		
FPR-600-10-530	609.6	24	3.33	1.19	26	1	5.52	11.58	16.15	47.25	98.43	1114.7	2247.8	58863	58863	58863	35318	25904	21186	1					1 1/2 - 3 1/4		
FPR-600-11-530	609.6	24	3.33	1.38	-10	-3/8	5.52	13	17.72	47.25	98.43	1330.5	2764.2	79366	79366	79366	79366	46719	34921	28571	1				1 1/2 - 3 1/4		
FPR-600-12-530	609.6	24	3.33	1.58	-10	-3/8	5.52	14.18	18.12	47.25	98.43	1666.7	3400.2	101522	101522	101522	101522	60913	44665	36552	1				1 1/2 - 3 1/4		
FPR-600-13-530	609.6	24	3.33	1.58	-46	-1/13/16	5.52	16.38	20.08	47.25	98.43	1815.7	3865.8	124010	124010	124010	124010	74406	54564	44643	1				1 1/2 - 3 1/4		
FPR-600-4-560	609.6	24	1.08	0.4	-48	-1/78	1.78	6.62	7.88	39.38	98.43	259.9	502.4	4453	4453	4453	4453	4453	3483	2579	3/8	-				1 - 2 1/4	
FPR-600-5-560	609.6	24	1.33	0.4	-38	-1/12	2.17	7.41	8.67	39.38	98.43	316.1	659.8	6966	6966	6966	6966	6966	5423	4034	3/8	-				1 - 1 1/2	
FPR-600-6-560	609.6	24	1.58	0.48	-28	-1/18	2.56	7.41	9.45	39.38	98.43	375.2	854.1	10053	10053	10053	10053	7848	5820	4820	1					1 - 1 1/2	
FPR-600-7-560	609.6	24	2.08	0.6	-3	-1/8	3.35	8.19	11.82	39.38	98.43	521.8	1076.7	16093	16093	16093	16093	10934	12564	9325	3/4	-				2	
FPR-600-8-560	609.6	24	2.33	0.79	12	1/2	3.94	9.45	13	43.31	98.43	665.4	1362.3	23545	23545	23545	23545	15344	13646	1						1 - 2 1/4	
FPR-600-9-560	609.6	24	2.58	0.99	32	1 1/4	4.53	9.85	13.78	43.31	98.43	836.2	1645.8	32628	32628	32628	32628	25441	18915	1						1 1/2 - 2 1/2	
FPR-600-10-560	609.6	24	3.08	0.99	11	7/16	5.12	11.82	15.75	47.25	98.43	1040.8	1939.4	42549	42549	42549	42549	33179	24669	1						1 1/2 - 3	
FPR-600-10-560	609.6	24	3.33	1.19	26	1	5.52	12.6	17.33	47.25	98.43	1239.2	2361.2	58863	58863	58863	58863	58863	45922	34149	1					1 1/2 - 3 1/4	
FPR-600-11-560	609.6	24	3.33	1.38	-10	-3/8	5.52	13.39	18.9	47.25	98.43	1485.3	2890.3	79366	79366	79366	79366	61905	46032	1						1 1/2 - 3 1/4	
FPR-600-12-560	609.6	24	3.33	1.58	-10	-3/8	5.52	14.97	19.3	47.25	98.43	1706.6	3636.5	101522	101522	101522	101522	79190	58885	1						1 1/2 - 3 1/4	
FPR-600-13-560	609.6	24	3.33	1.58	-46	-1/13/16	5.52	16.54	21.26	51.19	98.43	2199.8	4020.8	124010	124010	124010	124010	96738	71996	1						1 1/2 - 3 1/4	
FPR-600-3-600	609.6	24	1.08	0.4	-48	-1/78	1.78	6.62	8.67	39.38	98.43	297.8	638	4453	4453	4453	4453	4453	4453	4453	4453	3/8	-				1 - 1 1/4
FPR-600-4-600	609.6	24	1.33	0.4	-38	-1/12	2.17	7.41	9.85	39.38	98.43	382.3	876.3	6966	6966	6966	6966	6966	6966	6966	6966	3/8	-				1 - 1 1/4
FPR-600-5-600	609.6	24	1.58	0.48	-28	-1/18	2.56	7.49	11.42	39.38	98.43	485.2	1010.6	10053	10053	10053	10053	10053	10053	10053	10053	10053	10053	10053	10053	10053	1 - 1 1/2
FPR-600-6-600	609.6	24	2.08	0.6	-3	-1/8	3.35	9.85	13.39	39.38	98.43	654.2	1355.8	16093	16093	16093	16093	16093	16093	16093	16093	16093	16093	16093	16093	16093	3/4 - 2
FPR-600-7-600	609.6	24	2.33	0.79	12	1/2	3.94	10.63	14.57	43.31	98.43	823	1664.9	23545	23545	23545	23545	23545	23545	23545	23545	23545	23545	23545	23545	23545	1 - 2 1/4
FPR-600-8-600	609.6	24	2.58	0.99	32	1 1/4	4.53	11.03	15.75	43.31	98.43	983.9	2099.2	32628	32628	32628	32628	32628	32628	32628	32628	32628	32628	32628	32628	32628	1 1/2 - 2 1/2
FPR-600-9-600	609.6	24	3.08	0.99	11	7/16	5.12	13.39	16.93</																		

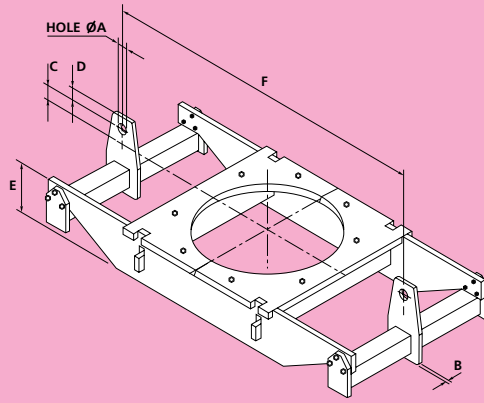
FPR RISER CLAMP FLAT PLATE TYPE



Material: Carbon Steel to 752°F Alloy Steel above 752°F. End Beams and Lugs: Carbon Steel. Order by Part No. and Rod Centres "F"

Part Number	Pipe O/D		A		B		C		D		E		F		Weight lbs	Load Capacity (lbf) at Temperature F						Compatible with Rod Sizes			
	mm		in		mm		in		mm		in		mm			662	752	914	986	1040	1076		1112		
	mm	in	mm	in	mm	in	mm	in	mm	in	mm	in	mm	in		Min.	Max.	Min.	Max.	Min.	Max.		Min.	Max.	
FPR-650-3-400	660.4	26	1.08	0.4	-48	-1.78	1.78	6.62	7.09	39.38	118.12	216.1	505.1	445.3	445.3								3/8 - 1		
FPR-650-4-400	660.4	26	1.33	0.4	-38	-1.12	2.17	7.41	7.88	39.38	118.12	302	713.6	696.6	696.6								3/8 - 1 1/4		
FPR-650-5-400	660.4	26	1.58	0.48	-28	-1.18	2.56	7.41	9.45	43.31	118.12	351	809.1	1005.3	1005.3								1/2 - 1 1/2		
FPR-650-6-400	660.4	26	2.08	0.6	-3	-1/8	3.35	8.19	11.03	43.31	118.12	460.1	1140.5	1609.3	1609.3								3/4 - 2		
FPR-650-7-400	660.4	26	2.33	0.79	1/2	-3/8	3.94	8.98	12.21	43.31	118.12	620.6	1462.3	2345.5	2345.5								1 - 2 1/4		
FPR-650-8-400	660.4	26	2.58	0.99	32	1 1/4	4.53	9.45	13.39	47.25	118.12	730.4	1810.9	3268.8	3268.8								1 1/2 - 2 1/2		
FPR-650-9-400	660.4	26	3.08	0.99	11	7/16	5.12	11.58	15.36	47.25	118.12	937.6	2137.2	4254.9	4254.9								1 1/2 - 3		
FPR-650-10-400	660.4	26	3.33	1.19	26	1	5.52	11.82	17.33	47.25	118.12	1144.4	2726	5886.3	5886.3								1 1/2 - 3 1/4		
FPR-650-11-400	660.4	26	3.33	1.38	-10	-3/8	5.52	13	19.3	47.25	118.12	1401.3	3351.7	7936.6	7936.6								1 1/2 - 3 1/4		
FPR-650-12-400	660.4	26	3.33	1.58	-10	-3/8	5.52	14.97	20.08	51.19	118.12	1865.8	4339.6	10152.2	10152.2								1 1/2 - 3 1/4		
FPR-650-13-400	660.4	26	3.33	1.58	-46	-1 13/16	5.52	16.38	21.66	51.19	118.12	1940.5	4625.1	12401.0	12401.0								1 1/2 - 3 1/4		
FPR-650-3-490	660.4	26	1.08	0.4	-48	-1.78	1.78	6.62	7.09	39.38	118.12	216.1	505.1	445.3	445.3	2888	1741	1256	1058				3/8 - 1		
FPR-650-4-490	660.4	26	1.33	0.4	-38	-1.12	2.17	7.41	7.88	39.38	118.12	302	713.6	696.6	696.6	4519	2711	1940	1675	3/8 - 1 1/4					
FPR-650-5-490	660.4	26	1.58	0.48	-28	-1.18	2.56	7.41	9.45	43.31	118.12	351	809.1	1005.3	1005.3	6525	3924	2821	2403	1/2 - 1 1/2					
FPR-650-6-490	660.4	26	2.08	0.6	-3	-1/8	3.35	8.19	10.63	43.31	118.12	460.1	1111.6	1609.3	1609.3	6283	4047	6283	4497	3858	3/4 - 2				
FPR-650-7-490	660.4	26	2.33	0.79	1/2	-3/8	3.94	8.98	12.21	43.31	118.12	620.6	1462.3	2345.5	2345.5	15300	9193	6591	5643	1 - 2 1/4					
FPR-650-8-490	660.4	26	2.58	0.99	32	1 1/4	4.53	9.06	13.39	47.25	118.12	717.8	1810.9	3268.8	3268.8	21208	12720	9127	7826	1 1/2 - 2 1/2					
FPR-650-9-490	660.4	26	3.08	0.99	11	7/16	5.12	11.58	15.36	47.25	118.12	937.6	2137.2	4254.9	4254.9	27668	16600	11904	10207	1 1/2 - 3					
FPR-650-10-490	660.4	26	3.33	1.19	26	1	5.52	11.82	16.93	47.25	118.12	1144.4	2681.5	5886.3	5886.3	38272	22950	16490	14131	1 1/2 - 3 1/4					
FPR-650-11-490	660.4	26	3.33	1.38	-10	-3/8	5.52	13	18.9	47.25	118.12	1401.3	3304.1	7936.6	7936.6	51588	30952	22222	19047	1 1/2 - 3 1/4					
FPR-650-12-490	660.4	26	3.33	1.58	-10	-3/8	5.52	14.97	19.2	51.19	118.12	1735.9	4625.1	10152.2	10152.2	65984	39595	28417	24361	1 1/2 - 3 1/4					
FPR-650-13-490	660.4	26	3.33	1.58	-46	-1 13/16	5.52	16.38	21.66	51.19	118.12	1940.5	4625.1	12401.0	12401.0	80601	48369	34722	29762	1 1/2 - 3 1/4					
FPR-650-3-530	660.4	26	1.08	0.4	-48	-1.78	1.78	6.62	7.09	39.38	118.12	234.6	523.4	445.3	445.3									3/8 - 1	
FPR-650-4-530	660.4	26	1.33	0.4	-38	-1.12	2.17	7.41	8.67	43.31	118.12	340.4	783.6	696.6	696.6	6966	4188	3064	2513	3/8 - 1 1/4					
FPR-650-5-530	660.4	26	1.58	0.48	-28	-1.18	2.56	7.41	9.45	43.31	118.12	407.6	984.6	1005.3	1005.3	10053	6040	4431	3678	1/2 - 1 1/2					
FPR-650-6-530	660.4	26	2.08	0.6	-3	-1/8	3.35	8.19	11.82	43.31	118.12	517	1239.9	1609.3	1609.3	9656	7031	9516	5795	3/4 - 2					
FPR-650-7-530	660.4	26	2.33	0.79	1/2	-3/8	3.94	8.98	13	43.31	118.12	683.9	1571.2	3268.8	3268.8	23545	14131	10361	8465	1 - 2 1/4					
FPR-650-8-530	660.4	26	2.58	0.99	32	1 1/4	4.53	9.06	14.18	47.25	118.12	845.9	1912	3268.8	3268.8	32628	19577	14352	11750	1 1/2 - 2 1/2					
FPR-650-9-530	660.4	26	3.08	0.99	11	7/16	5.12	11.58	15.36	47.25	118.12	1023.4	2425.7	4254.9	4254.9	25259	18717	15322	1123	1 1/2 - 3					
FPR-650-10-530	660.4	26	3.33	1.19	26	1	5.52	11.58	17.72	47.25	118.12	1209.5	2768.8	5886.3	5886.3	35718	23904	21886	1123	1 1/2 - 3 1/4					
FPR-650-11-530	660.4	26	3.33	1.38	-10	-3/8	5.52	13.39	19.69	47.25	118.12	1436.1	3401.5	7936.6	7936.6	79366	46443	28571	24511	1 1/2 - 3 1/4					
FPR-650-12-530	660.4	26	3.33	1.58	-10	-3/8	5.52	14.97	20.48	51.19	118.12	1886.5	4400.4	10152.2	10152.2	60913	44665	36552	31123	1 1/2 - 3 1/4					
FPR-650-13-530	660.4	26	3.33	1.58	-46	-1 13/16	5.52	16.38	22.05	51.19	118.12	2132.5	4685.9	12401.0	12401.0	124010	74406	54564	46463	1 1/2 - 3 1/4					
FPR-650-3-560	660.4	26	1.08	0.4	-48	-1.78	1.78	6.62	7.88	39.38	118.12	285.1	649.9	445.3	445.3	445.3	3483	2579	3/8 - 1						
FPR-650-4-560	660.4	26	1.33	0.4	-38	-1.12	2.17	7.41	9.45	43.31	118.12	406.1	807.8	696.6	696.6	6966	5423	4034	3/8 - 1 1/4						
FPR-650-5-560	660.4	26	1.58	0.48	-28	-1.18	2.56	7.41	10.24	43.31	118.12	425.3	1041.2	1005.3	1005.3	10053	7848	5820	1/2 - 1 1/2						
FPR-650-6-560	660.4	26	2.08	0.6	-3	-1/8	3.35	8.19	11.82	43.31	118.12	586.9	1390	1609.3	1609.3	16093	16093	12544	9325	3/4 - 2					
FPR-650-7-560	660.4	26	2.33	0.79	1/2	-3/8	3.94	8.98	13	43.31	118.12	757.9	1763.5	2354.5	2354.5	23545	18364	13646	1 - 2 1/4						
FPR-650-8-560	660.4	26	2.58	0.99	32	1 1/4	4.53	10.24	15.36	47.25	118.12	932.1	2045.4	3268.8	3268.8	32628	32628	25441	18915	1 1/2 - 2 1/2					
FPR-650-9-560	660.4	26	3.08	0.99	11	7/16	5.12	11.82	16.15	47.25	118.12	1110.2	2513	4254.9	4254.9	25259	33179	24669	1 1/2 - 3						
FPR-650-10-560	660.4	26	3.33	1.19	26	1	5.52	13	18.12	47.25	118.12	1362.3	3142.2	5886.3	5886.3	58863	58863	45922	34149	1 1/2 - 3 1/4					
FPR-650-11-560	660.4	26	3.33	1.38	-10	-3/8	5.52	14.18	18.9	51.19	118.12	1740.3	3889.2	7936.6	7936.6	79366	79366	61925	46032	1 1/2 - 3 1/4					
FPR-650-12-560	660.4	26	3.33	1.58	-10	-3/8	5.52	15.75	21.26	51.19	118.12	1952.5	4515.2	10152.2	10152.2	101522	101522	79190	58885	1 1/2 - 3 1/4					
FPR-650-13-560	660.4	26	3.33	1.58	-46	-1 13/16	5.52	16.38	23.63	51.19	118.12	2296.6	5020.6	12401.0	12401.0	124010	124010	96738	71936	1 1/2 - 3 1/4					
FPR-650-3-600	660.4	26	1.08	0.4	-48	-1.78	1.78	6.62	9.45	39.38	118.12	378.8	785.1	445.3	445.3	445.3	445.3	445.3	3483	2579	3/8 - 1				
FPR-650-4-600	660.4	26	1.33	0.4	-38	-1.12	2.17	7.88	10.63	43.31	118.12	480.4	1067	696.6	696.6	6966	6966	6966	6966	3/8 - 1 1/4					
FPR-650-5-600	660.4	26	1.58	0.48	-28	-1.18	2.56	7.88	11.82	43.31	118.12	548.5	1345.9	1005.3	1005.3	10053	10053	10053	10053	1/2 - 1 1/2					
FPR-650-6-600	660.4	26	2.08	0.6	-3	-1/8	3.35	9.06	13.39	43.31	118.12	722.2	1758.6	1609.3	1609.3	16093	16093	16093	16093	3/4 - 2					
FPR-650-7-600	660.4	26	2.33	0.79	1/2	-3/8	3.94	11.03	14.97	47.25	118.12	953.1	2822.2	2354.5	2354.5	23545	23545	23545	23545	1 - 2 1/4					
FPR-650-8-600	660.4	26	2.58	0.99	32	1 1/4	4.53	11.42	17.33	47.25	118.12	1096.1	2587.6	3268.8	3268.8	32628	32628	32628	32628	1 1/2 - 2 1/2					
FPR-650-9-600	660.4	26	3.08	0.99	11	7/16	5.12	13.39	18.51	47.25	118.12	1346.4	3154.6	4254.9	4254.9	42549	42549	42549	42549	1 1/2 - 3					
FPR-650-10-600	660.4	26	3.33	1.19	26	1	5.52	14.97																	

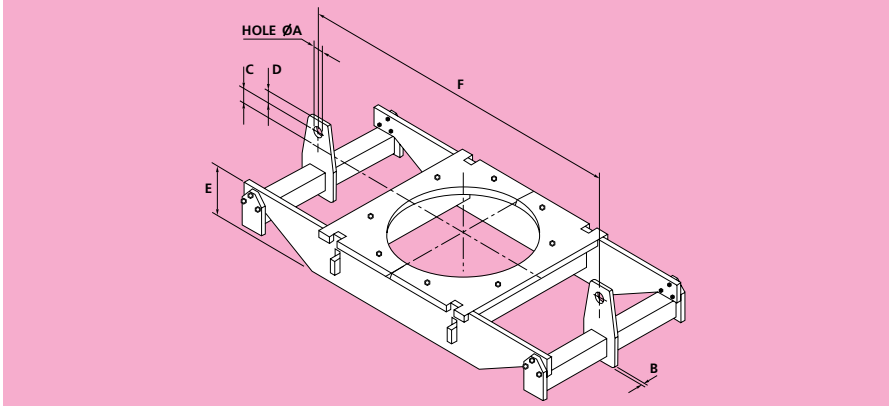
FPR RISER CLAMP FLAT PLATE TYPE



Material: Carbon Steel to 752°F Alloy Steel above 752°F. End Beams and Lugs: Carbon Steel. Order by Part No. and Rod Centres "R"

Part Number	Pipe O/D		A		B		C		D		E		F		Weight lb		Load Capacity (lbf) at Temperature F						Compatible with Rod Size			
	mm	in	in	in	in	in	in	in	in	in	Min.	Max.	Min.	Max.	Min.	Max.	662	752	914	986	1040	1076		1112		
FPR-800-4-400	812.8	32	1.33	0.4	-3/8	-1/12	2.17	7.41	7.88	47.25	118.12	438.3	813.5	6966	6966	6966	6966	6966	6966	6966	6966	6966	6966	6966	3/8 - 1 1/4	
FPR-800-5-400	812.8	32	1.58	0.48	-2/8	-1/8	2.56	8.19	9.45	51.19	118.12	571.2	1010.6	10053	10053										1/2 - 1 1/2	
FPR-800-6-400	812.8	32	2.08	0.6	-3	-1/8	3.35	8.19	10.63	51.19	118.12	728.8	1307.1	16093	16093										3/4 - 2	
FPR-800-7-400	812.8	32	2.33	0.79	1/2	1/2	3.94	8.98	12.21	51.19	118.12	878.1	1687.9	23545	23545										1 - 2 1/4	
FPR-800-8-400	812.8	32	2.58	0.99	3/2	1 1/4	4.53	10.16	13.39	55.12	118.12	1149.3	2136.3	32628	32628										1 1/2 - 2 1/2	
FPR-800-9-400	812.8	32	3.08	0.99	11	7/16	5.12	11.58	14.97	55.12	118.12	1302.1	2385.2	42549	42549										1 1/2 - 3	
FPR-800-10-400	812.8	32	3.33	1.19	26	1	5.52	11.82	16.54	55.12	118.12	1564	2955.1	58863	58863										1 1/2 - 3 1/4	
FPR-800-11-400	812.8	32	3.33	1.38	-10	-3/8	5.52	14.18	18.51	55.12	118.12	1863.8	3467.2	79366	79366										1 1/2 - 3 1/4	
FPR-800-12-400	812.8	32	3.33	1.58	-10	-3/8	5.52	14.97	19.3	59.06	118.12	2386.9	4680	101522	101522										1 1/2 - 3 1/4	
FPR-800-13-400	812.8	32	3.33	1.58	-46	-1 13/16	5.52	18.35	21.26	63	118.12	3038.9	5220.8	124010	124010										1 1/2 - 3 1/4	
FPR-800-4-490	812.8	32	1.33	0.4	-3/8	-1/12	2.17	7.41	7.88	47.25	118.12	438.3	813.5	6966	6966	6966	6966	4519	2711	1940	1675	3/8 - 1 1/4				
FPR-800-5-490	812.8	32	1.58	0.48	-2/8	-1/8	2.56	8.19	9.45	51.19	118.12	571.2	1010.6	10053	10053	10053	10053	6525	3924	2821	2403	1/2 - 1 1/2				
FPR-800-6-490	812.8	32	2.08	0.6	-3	-1/8	3.35	8.19	10.63	51.19	118.12	728.8	1307.1	16093	16093	16093	16093	10471	6283	4497	3583	3/4 - 2				
FPR-800-7-490	812.8	32	2.33	0.79	1/2	1/2	3.94	8.98	11.82	51.19	118.12	878.1	1654.3	23545	23545	23545	23545	15300	9193	6591	5643	1 - 2 1/4				
FPR-800-8-490	812.8	32	2.58	0.99	3/2	1 1/4	4.53	10.16	13.78	55.12	118.12	1149.3	1957.3	32628	32628	32628	32628	21208	12720	9127	7826	1 1/2 - 2 1/2				
FPR-800-9-490	812.8	32	3.08	0.99	11	7/16	5.12	11.58	14.97	55.12	118.12	1284.2	2385.2	42549	42549	42549	42549	27668	16600	11904	10207	1 1/2 - 3				
FPR-800-10-490	812.8	32	3.33	1.19	26	1	5.52	11.82	16.54	55.12	118.12	1564	2955.1	58863	58863	58863	58863	38272	22950	16490	14131	1 1/2 - 3 1/4				
FPR-800-11-490	812.8	32	3.33	1.38	-10	-3/8	5.52	14.18	18.12	55.12	118.12	1863.8	3618	79366	79366	79366	79366	51588	30952	22222	19047	1 1/2 - 3 1/4				
FPR-800-12-490	812.8	32	3.33	1.58	-10	-3/8	5.52	14.97	19.3	59.06	118.12	2386.9	4680	101522	101522	101522	101522	65984	39595	28417	24361	1 1/2 - 3 1/4				
FPR-800-13-490	812.8	32	3.33	1.58	-46	-1 13/16	5.52	18.35	20.87	63	118.12	2847.3	5157.3	124010	124010	124010	124010	80601	48369	34722	29762	1 1/2 - 3 1/4				
FPR-800-4-530	812.8	32	1.33	0.4	-3/8	-1/12	2.17	7.41	8.27	47.25	118.12	448.9	834.1	6966	6966	6966	6966	6966	4188	3064	2513	3/8 - 1 1/4				
FPR-800-5-530	812.8	32	1.58	0.48	-2/8	-1/8	2.56	8.19	9.85	51.19	118.12	592.4	1034.0	10053	10053	10053	10053	6040	4431	3613	2915	1/2 - 1 1/2				
FPR-800-6-530	812.8	32	2.08	0.6	-3	-1/8	3.35	8.19	11.42	51.19	118.12	755.3	1365.8	16093	16093	16093	16093	9656	7076	5798	3/4 - 2					
FPR-800-7-530	812.8	32	2.33	0.79	1/2	1/2	3.94	9.45	12.6	51.19	118.12	905	1723.1	23545	23545	23545	23545	14131	10361	8465	7111	1 - 2 1/4				
FPR-800-8-530	812.8	32	2.58	0.99	3/2	1 1/4	4.53	10.16	13.78	55.12	118.12	1165.8	2175.3	32628	32628	32628	32628	19577	14352	11750	1122	1 1/2 - 2 1/2				
FPR-800-9-530	812.8	32	3.08	0.99	11	7/16	5.12	11.58	15.75	55.12	118.12	1318.6	2465	42549	42549	42549	42549	25529	18717	15322	11/2 - 3					
FPR-800-10-530	812.8	32	3.33	1.19	26	1	5.52	13	17.72	55.12	118.12	1746.1	3221	58863	58863	58863	58863	35318	25904	21186	11/2 - 3 1/4					
FPR-800-11-530	812.8	32	3.33	1.38	-10	-3/8	5.52	14.18	18.9	59.06	118.12	2045.4	3718.8	79366	79366	79366	79366	47619	34921	28571	1/2 - 3 1/4					
FPR-800-12-530	812.8	32	3.33	1.58	-10	-3/8	5.52	15.36	19.69	59.06	118.12	2410.8	4742.8	101522	101522	101522	101522	60913	44665	36552	1/2 - 3 1/4					
FPR-800-13-530	812.8	32	3.33	1.58	-46	-1 13/16	5.52	18.35	21.66	63	118.12	3069.7	5419	124010	124010	124010	124010	74406	54564	44643	1/2 - 3 1/4					
FPR-800-4-560	812.8	32	1.33	0.4	-3/8	-1/12	2.17	7.41	9.45	47.25	118.12	535.7	969.8	6966	6966	6966	6966	6966	5423	4034	3/8 - 1 1/4					
FPR-800-5-560	812.8	32	1.58	0.48	-2/8	-1/8	2.56	8.19	9.85	51.19	118.12	671.1	1183.4	10053	10053	10053	10053	10053	7848	5820	1/2 - 1 1/2					
FPR-800-6-560	812.8	32	2.08	0.6	-3	-1/8	3.35	8.67	11.42	51.19	118.12	841.3	1515.7	16093	16093	16093	16093	12544	9325	3/4 - 2						
FPR-800-7-560	812.8	32	2.33	0.79	1/2	1/2	3.94	9.45	13.78	51.19	118.12	1064.6	1886.9	23545	23545	23545	23545	23545	18364	13646	1 - 2 1/4					
FPR-800-8-560	812.8	32	2.58	0.99	3/2	1 1/4	4.53	11.03	14.97	55.12	118.12	1279.3	2358.7	32628	32628	32628	32628	32628	32628	25441	18915	1 1/2 - 2 1/2				
FPR-800-9-560	812.8	32	3.08	0.99	11	7/16	5.12	11.82	15.75	55.12	118.12	1492.8	2792.4	42549	42549	42549	42549	42549	33179	24669	1 1/2 - 3					
FPR-800-10-560	812.8	32	3.33	1.19	26	1	5.52	13.78	17.72	55.12	118.12	1786.4	3460.6	58863	58863	58863	58863	45922	34149	1 1/2 - 3 1/4						
FPR-800-11-560	812.8	32	3.33	1.38	-10	-3/8	5.52	14.97	18.12	59.06	118.12	2269.7	4220.1	79366	79366	79366	79366	61905	46032	1 1/2 - 3 1/4						
FPR-800-12-560	812.8	32	3.33	1.58	-10	-3/8	5.52	15.75	20.48	59.06	118.12	2785.5	4865.2	101522	101522	101522	101522	79190	58885	1 1/2 - 3 1/4						
FPR-800-13-560	812.8	32	3.33	1.58	-46	-1 13/16	5.52	18.35	22.84	63	118.12	3129	5606.6	124010	124010	124010	124010	96738	71936	1 1/2 - 3 1/4						
FPR-800-4-600	812.8	32	1.33	0.4	-3/8	-1/12	2.17	7.41	10.24	51.19	118.12	685	1169.1	6966	6966	6966	6966	6966	6966	6966	6966	6966	6966	6966	3/8 - 1 1/4	
FPR-800-5-600	812.8	32	1.58	0.48	-2/8	-1/8	2.56	8.67	11.42	51.19	118.12	837.5	1511.7	10053	10053	10053	10053	10053	10053	10053	10053	10053	10053	10053	1/2 - 1 1/2	
FPR-800-6-600	812.8	32	2.08	0.6	-3	-1/8	3.35	9.85	13	51.19	118.12	1039.5	1973.4	16093	16093	16093	16093	16093	16093	16093	16093	16093	16093	16093	3/4 - 2	
FPR-800-7-600	812.8	32	2.33	0.79	1/2	1/2	3.94	10.63	15.75	51.19	118.12	1254.0	2560.3	23545	23545	23545	23545	23545	23545	23545	23545	23545	23545	23545	1 - 2 1/4	
FPR-800-8-600	812.8	32	2.58	0.99	3/2	1 1/4	4.53	13	16.93	55.12	118.12	1651.9	2895.8	32628	32628	32628	32628	32628	32628	32628	32628	32628	32628	32628	1 1/2 - 2 1/2	
FPR-800-9-600	812.8	32	3.08	0.99	11	7/16	5.12	13.39	18.12	55.12	118.12	1849.2	3438.3	58863	58863	58863	58863	45459	42549	42549	42549	42549	42549	42549	1 1/2 - 3	
FPR-800-10-600	812.8	32	3.33	1.19	26	1	5.52	15.75	18.12	55.12	118.12	2186.8	4090.2	20562	20562	20562	20562	58863	58863	58863	58863	58863	58863	58863	1 1/2 - 3 1/4	
FPR-800-11-600	812.8	32	3.33	1.38	-10	-3/8	5.52	16.93	21.26	59.06	118.12	2743.9	4845.3	79366	79366	79366	79366	79366	79366	79366	79366	79366	79366	79366	1 1/2 - 3 1/4	
FPR-800-12-600	812.8	32	3.33	1.58	-10	-3/8	5.52	17.72	21.26	59.06	118.12	3211.5	57													

FPR RISER CLAMP FLAT PLATE TYPE



Material: Carbon Steel to 752°F Alloy Steel above 752°F End Beams and Lugs: Carbon Steel. Order by Part No. and Rod Centres "F"

Part Number	Pipe O/D		A	B	C		D		E		F		Weight lb		Load Capacity (lb) at Temperature F						Compatible with Rod Sigs.				
	mm	in			mm	in	mm	in	mm	in	Min.	Max.	Min.	Max.	662	752	914	986	1040	1076		1112			
FPR-850-4-400	863.6	34	1.33	0.4	-38	-1 1/2	2.17	7.41	7.88	51.19	118.12	488.5	848.8	6966	6966									3/8 - 1 1/4	
FPR-850-5-400	863.6	34	1.58	0.48	-28	-1 1/8	2.56	8.19	9.45	51.19	118.12	622.6	1054.9	10053	10053									1/2 - 1 1/2	
FPR-850-6-400	863.6	34	2.08	0.6	-3	-1/8	3.35	8.19	10.63	51.19	118.12	791.7	1361.1	16093	16093									3/4 - 2	
FPR-850-7-400	863.6	34	2.33	0.79	12	1/2	3.94	9.06	11.82	55.12	118.12	964.7	1719.6	23545	23545									1 - 2 1/4	
FPR-850-8-400	863.6	34	2.58	0.99	32	1 1/4	4.53	10.16	13.78	55.12	118.12	1218.7	2032.4	32628	32628									1 1/2 - 2 1/2	
FPR-850-9-400	863.6	34	3.08	0.99	11	7/16	5.12	11.58	14.97	59.06	118.12	1430.6	2501.4	42549	42549									1 1/2 - 3	
FPR-850-10-400	863.6	34	3.33	1.19	26	1	5.52	11.82	16.54	59.06	118.12	1682.6	3057.4	58863	58863									1 1/2 - 3 1/4	
FPR-850-11-400	863.6	34	3.33	1.38	-10	-3/8	5.52	14.97	18.51	59.06	118.12	2217.2	3860.5	79366	79366									1 1/2 - 3 1/4	
FPR-850-12-400	863.6	34	3.33	1.58	-10	-3/8	5.52	15.36	19.3	59.06	118.12	2540.4	4828.1	101522	101522									1 1/2 - 3 1/4	
FPR-850-13-400	863.6	34	3.33	1.58	-46	-1 13/16	5.52	18.35	21.26	63	118.12	3188.5	5525	124010	124010									1 1/2 - 3 1/4	
FPR-850-4-490	863.6	34	1.33	0.4	-38	-1 1/2	2.17	7.41	7.49	51.19	118.12	488.5	823.6	6966	6966	6966	4519	2711	1940	1675				3/8 - 1 1/4	
FPR-850-5-490	863.6	34	1.58	0.48	-28	-1 1/8	2.56	8.19	9.06	51.19	118.12	622.6	1029.8	10053	10053	10053	6525	3924	2821	2403				1 1/2 - 1 1/2	
FPR-850-6-490	863.6	34	2.08	0.6	-3	-1/8	3.35	8.19	10.63	51.19	118.12	791.7	1361.1	16093	16093	16093	10471	6283	4497	3858				3/4 - 2	
FPR-850-7-490	863.6	34	2.33	0.79	12	1/2	3.94	9.06	11.82	55.12	118.12	964.7	1719.6	23545	23545	23545	15300	9193	6591	5643				1 - 2 1/4	
FPR-850-8-490	863.6	34	2.58	0.99	32	1 1/4	4.53	10.16	13.78	55.12	118.12	1218.7	2032.4	32628	32628	32628	21208	12720	9127	7826				1 1/2 - 2 1/2	
FPR-850-9-490	863.6	34	3.08	0.99	11	7/16	5.12	11.58	14.97	59.06	118.12	1430.6	2501.4	42549	42549	42549	27668	16000	11904	10207				1 1/2 - 3	
FPR-850-10-490	863.6	34	3.33	1.19	26	1	5.52	11.82	16.54	59.06	118.12	1682.6	3057.4	58863	58863	58863	38272	22950	16490	14131				1 1/2 - 3 1/4	
FPR-850-11-490	863.6	34	3.33	1.38	-10	-3/8	5.52	14.97	18.12	59.06	118.12	2191.6	3810.7	79366	79366	79366	51588	30952	22222	19047				1 1/2 - 3 1/4	
FPR-850-12-490	863.6	34	3.33	1.58	-10	-3/8	5.52	14.97	18.9	59.06	118.12	2516.4	4768.2	101522	101522	101522	65984	39595	28417	24361				1 1/2 - 3 1/4	
FPR-850-13-490	863.6	34	3.33	1.58	-46	-1 13/16	5.52	18.35	20.87	63	118.12	2981.5	4514.4	124010	124010	124010	124010	48369	34722	29762	21962				1 1/2 - 3 1/4
FPR-850-4-530	863.6	34	1.33	0.4	-38	-1 1/2	2.17	7.41	8.27	51.19	118.12	498.7	879.6	6966	6966	6966	6966	4188	3064	2513				3/8 - 1 1/4	
FPR-850-5-530	863.6	34	1.58	0.48	-28	-1 1/8	2.56	8.19	9.85	51.19	118.12	633.8	1072.9	10053	10053	10053	10053	6040	4431	3615				1 1/2 - 1 1/2	
FPR-850-6-530	863.6	34	2.08	0.6	-3	-1/8	3.35	8.19	11.42	51.19	118.12	805.8	1420.2	16093	16093	16093	16093	9656	7076	5798				3/4 - 2	
FPR-850-7-530	863.6	34	2.33	0.79	12	1/2	3.94	9.45	12.6	55.12	118.12	975.5	1789.5	23545	23545	23545	23545	14131	10361	8465				1 - 2 1/4	
FPR-850-8-530	863.6	34	2.58	0.99	32	1 1/4	4.53	10.24	13.78	55.12	118.12	1253.2	2253.1	32628	32628	32628	32628	32628	19577	14352	11750				1 1/2 - 2 1/2
FPR-850-9-530	863.6	34	3.08	0.99	11	7/16	5.12	11.82	15.75	59.06	118.12	1467.2	2583.8	42549	42549	42549	42549	25529	18757	15322				1 1/2 - 3	
FPR-850-10-530	863.6	34	3.33	1.19	26	1	5.52	13.39	17.33	59.06	118.12	1904.8	3294.8	58863	58863	58863	58863	35318	25904	21186				1 1/2 - 3 1/4	
FPR-850-11-530	863.6	34	3.33	1.38	-10	-3/8	5.52	14.97	18.9	59.06	118.12	2241.2	3913	79366	79366	79366	79366	47619	34921	28571				1 1/2 - 3 1/4	
FPR-850-12-530	863.6	34	3.33	1.58	-10	-3/8	5.52	15.75	19.69	59.06	118.12	2566.6	4891.6	101522	101522	101522	101522	60913	44665	36552				1 1/2 - 3 1/4	
FPR-850-13-530	863.6	34	3.33	1.58	-46	-1 13/16	5.52	18.35	21.66	63	118.12	3219.9	5085.9	124010	124010	124010	124010	74406	54564	44643				1 1/2 - 3 1/4	
FPR-850-4-560	863.6	34	1.33	0.4	-38	-1 1/2	2.17	7.41	9.45	51.19	118.12	584.8	1028.8	6966	6966	6966	6966	6966	5423	4034				3/8 - 1 1/4	
FPR-850-5-560	863.6	34	1.58	0.48	-28	-1 1/8	2.56	8.19	9.85	51.19	118.12	708.6	1270.0	10053	10053	10053	10053	10053	7848	5820				1 1/2 - 1 1/2	
FPR-850-6-560	863.6	34	2.08	0.6	-3	-1/8	3.35	9.06	11.42	51.19	118.12	912.1	1526	16093	16093	16093	16093	12544	9325					3/4 - 2	
FPR-850-7-560	863.6	34	2.33	0.79	12	1/2	3.94	9.85	13.78	55.12	118.12	1167.8	1960.8	23545	23545	23545	23545	23545	18364	13646				1 - 2 1/4	
FPR-850-8-560	863.6	34	2.58	0.99	32	1 1/4	4.53	11.42	14.97	55.12	118.12	1373.7	2445.1	32628	32628	32628	32628	32628	25441	18915				1 1/2 - 2 1/2	
FPR-850-9-560	863.6	34	3.08	0.99	11	7/16	5.12	11.82	15.75	59.06	118.12	1637.2	2920.5	42549	42549	42549	42549	42549	33179	24669				1 1/2 - 3	
FPR-850-10-560	863.6	34	3.33	1.19	26	1	5.52	13	17.72	59.06	118.12	2041	3581.2	58863	58863	58863	58863	58863	45922	34149				1 1/2 - 3 1/4	
FPR-850-11-560	863.6	34	3.33	1.38	-10	-3/8	5.52	15.36	18.51	59.06	118.12	2482.2	4644.5	79366	79366	79366	79366	79366	61905	46032				1 1/2 - 3 1/4	
FPR-850-12-560	863.6	34	3.33	1.58	-10	-3/8	5.52	16.15	20.48	63	118.12	3010	5013.9	101522	101522	101522	101522	101522	79190	58885				1 1/2 - 3 1/4	
FPR-850-13-560	863.6	34	3.33	1.58	-46	-1 13/16	5.52	18.35	22.45	63	118.12	3309.1	5111.1	124010	124010	124010	124010	96738	71936					1 1/2 - 3 1/4	
FPR-850-4-600	863.6	34	1.33	0.4	-38	-1 1/2	2.17	7.49	10.63	51.19	118.12	746	1371.3	6966	6966	6966	6966	6966	6966	6966				3/8 - 1 1/4	
FPR-850-5-600	863.6	34	1.58	0.48	-28	-1 1/8	2.56	9.06	11.03	51.19	118.12	908.1	1593.1	10053	10053	10053	10053	10053	10053	10053				1 1/2 - 1 1/2	
FPR-850-6-600	863.6	34	2.08	0.6	-3	-1/8	3.35	10.24	13	55.12	118.12	1142.4	2048.3	16093	16093	16093	16093	16093	12544	9325				3/4 - 2	
FPR-850-7-600	863.6	34	2.33	0.79	12	1/2	3.94	11.03	15.75	55.12	118.12	1378.8	2466.2	23545	23545	23545	23545	23545	23545	23545				1 - 2 1/4	
FPR-850-8-600	863.6	34	2.58	0.99	32	1 1/4	4.53	13.39	16.93	59.06	118.12	1807	2995	32628	32628	32628	32628	32628	32628	32628				1 1/2 - 2 1/2	
FPR-850-9-600	863.6	34	3.08	0.99	11	7/16	5.12	13.78	17.72	59.06	118.12	2044.9	3530.4	42549	42549	42549	42549	42549	42549	42549				1 1/2 - 3	
FPR-850-10-600	863.6	34	3.33	1.19	26	1	5.52	14.97	18.51	59.06	118.12	2509.6	4843.7	58863	58863	58863	58863	58863	58863	58863				1 1/2 - 3 1/4	
FPR-850-11-600	863.6	34	3.33	1.38	-10	-3/8	5.52	17.33	21.26	63	118.12	3041.3	5231.3	79366	79366	79366	79366	79366	79366	79366				1 1/2 - 3 1/4	
FPR-850-12-600	863.6	34	3.33	1.58	-10	-3/8	5.52	18.12	23.63	63	118.12	3472.5	5662.4	101522	101522	101522	101522	101522	101522	101522				1 1/2 - 3 1/4	
FPR-850-13-600	863.6	34	3.33	1.58	-46	-1 13/16	5.52	18.35	23.63	66.93	118.12	4244.8	6781.6	124010	124010	124010	124010	124010	124010	124010				1 1/2 - 3 1/4	

