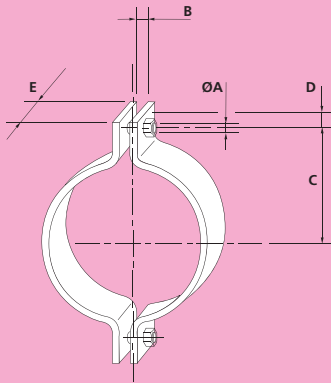


PC2 PIPE CLAMP FOR UNLAGGED PIPE TWO BOLT TYPE

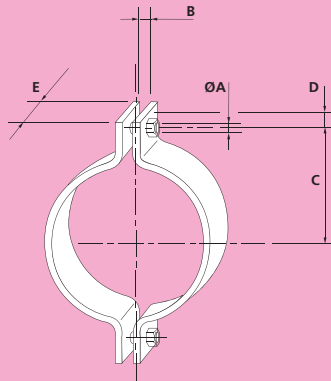


Material: Carbon Steel

Part Number	Pipe O/D		A	B	C		D	E	Weight	Load Capacity at 350C	Compatible with Rod Sizes
	mm	in			mm	in					
PC2-15-0	21.3	0.839	12	15	30	1 ³ / ₁₆	18	35	0.3	390	M8-M16
PC2-20-0	26.7	1.051	12	15	35	1 ³ / ₈	18	35	0.4	390	M8-M16
PC2-25-0	33.4	1.315	12	15	40	1 ⁹ / ₁₆	18	35	0.4	390	M8-M16
PC2-32-0	42.2	1.661	12	15	45	1 ³ / ₄	18	35	0.4	390	M8-M16
PC2-40-0	48.3	1.902	12	15	45	1 ³ / ₄	18	35	0.5	390	M8-M16
PC2-50-0	60.3	2.375	12	15	55	2 ³ / ₁₆	18	35	0.5	390	M8-M16
PC2-50-1	60.3	2.375	16	17	60	2 ³ / ₈	24	40	0.9	740	M8-M16
PC2-50-2	60.3	2.375	16	17	60	2 ³ / ₈	24	40	0.9	740	M8-M16
PC2-65-0	73.0	2.875	12	15	65	2 ⁹ / ₁₆	18	35	0.6	370	M8-M16
PC2-65-1	73.0	2.875	16	17	70	2 ³ / ₄	24	40	1.0	590	M8-M16
PC2-65-2	73.0	2.875	16	17	70	2 ³ / ₄	24	40	1.0	590	M8-M16
PC2-80-0	88.9	3.500	12	15	70	2 ³ / ₄	18	35	0.7	340	M8-M16
PC2-80-1	88.9	3.500	16	17	75	2 ¹⁵ / ₁₆	24	40	1.0	530	M8-M16
PC2-80-2	88.9	3.500	16	17	75	2 ¹⁵ / ₁₆	24	40	1.0	530	M8-M16
PC2-90-0	101.6	4.000	12	15	75	2 ¹⁵ / ₁₆	18	35	0.7	320	M8-M16
PC2-90-1	101.6	4.000	16	17	80	3 ¹ / ₈	24	40	1.1	500	M8-M16
PC2-90-2	101.6	4.000	16	17	85	3 ³ / ₈	24	40	1.4	800	M8-M16
PC2-100-0	114.3	4.500	12	15	85	3 ³ / ₈	18	35	0.8	270	M8-M16
PC2-100-1	114.3	4.500	16	17	90	3 ⁹ / ₁₆	24	40	1.2	420	M8-M16
PC2-100-2	114.3	4.500	16	17	95	3 ³ / ₄	24	40	1.6	740	M8-M16
PC2-100-3	114.3	4.500	20	20	105	4 ¹ / ₈	30	60	3.8	1320	M12-M24
PC2-125-0	141.3	5.563	12	15	95	3 ³ / ₄	18	35	0.9	260	M8-M16
PC2-125-1	141.3	5.563	16	17	105	4 ¹ / ₈	24	40	1.7	680	M8-M16
PC2-125-2	141.3	5.563	16	17	105	4 ¹ / ₈	24	40	1.7	680	M8-M16
PC2-125-3	141.3	5.563	20	20	120	4 ³ / ₄	30	60	4.3	1320	M12-M24
PC2-150-0	168.3	6.625	12	15	115	4 ¹ / ₂	18	40	1.4	340	M8-M16
PC2-150-1	168.3	6.625	16	17	120	4 ³ / ₄	24	40	2.0	590	M8-M16
PC2-150-2	168.3	6.625	16	17	120	4 ³ / ₄	24	40	2.0	590	M8-M16
PC2-150-3	168.3	6.625	20	20	135	5 ⁵ / ₁₆	30	60	4.8	1320	M12-M24
PC2-150-4	168.3	6.625	24	25	135	5 ⁵ / ₁₆	36	60	5.1	1800	M12-M36

Bold part numbers indicate a stocked item.

PC2 PIPE CLAMP FOR UNLAGGED PIPE TWO BOLT TYPE

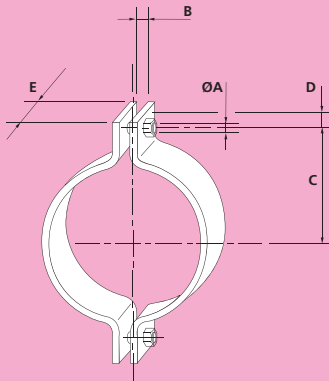


Material: Carbon Steel

Part Number	Pipe O/D		A	B	C		D	E	Weight	Load Capacity at 350C	Compatible with Rod Sizes
	mm	in			mm	in					
PC2-175-0	193.7	7.625	12	15	125	4 ¹⁵ / ₁₆	18	40	1.5	330	M8-M16
PC2-175-1	193.7	7.625	16	17	135	5 ⁵ / ₁₆	24	40	2.2	510	M8-M16
PC2-175-2	193.7	7.625	16	17	140	5 ¹ / ₂	24	45	3.1	800	M8-M16
PC2-175-3	193.7	7.625	20	20	145	5 ¹¹ / ₁₆	30	60	5.2	1320	M12-M24
PC2-175-4	193.7	7.625	24	25	150	5 ⁷ / ₈	36	60	5.6	1590	M12-M36
PC2-175-5	193.7	7.625	30	29	170	6 ¹¹ / ₁₆	45	90	15.1	3050	M12-M36
PC2-200-0	219.1	8.625	12	15	140	5 ¹ / ₂	18	40	1.7	290	M8-M16
PC2-200-1	219.1	8.625	16	17	150	5 ⁷ / ₈	24	40	2.4	460	M8-M16
PC2-200-2	219.1	8.625	16	17	155	6 ¹ / ₈	24	45	3.4	790	M8-M16
PC2-200-3	219.1	8.625	20	20	160	6 ⁵ / ₁₆	30	60	5.7	1320	M12-M24
PC2-200-4	219.1	8.625	24	25	180	7 ¹ / ₁₆	36	65	11.1	1830	M12-M36
PC2-200-5	219.1	8.625	30	29	185	7 ⁵ / ₁₆	45	90	16.3	3050	M12-M36
PC2-200-6	219.1	8.625	36	41	185	7 ⁵ / ₁₆	54	90	17.5	3810	M20-M64
PC2-225-0	244.5	9.625	12	15	150	5 ⁷ / ₈	18	40	1.8	290	M8-M16
PC2-225-1	244.5	9.625	16	17	160	6 ⁵ / ₁₆	24	40	2.6	440	M8-M16
PC2-225-2	244.5	9.625	16	17	165	6 ¹ / ₂	24	45	3.6	760	M8-M16
PC2-225-3	244.5	9.625	20	20	175	6 ⁷ / ₈	30	60	6.2	1320	M12-M24
PC2-225-4	244.5	9.625	24	25	190	7 ¹ / ₂	36	65	11.7	1830	M12-M36
PC2-225-5	244.5	9.625	30	29	195	7 ¹¹ / ₁₆	45	90	17.2	3050	M12-M36
PC2-225-6	244.5	9.625	36	41	200	7 ⁷ / ₈	54	90	18.7	3810	M20-M64
PC2-250-0	273.0	10.75	12	15	170	6 ¹¹ / ₁₆	18	40	2.0	240	M8-M16
PC2-250-1	273.0	10.75	16	17	175	6 ⁷ / ₈	24	40	2.8	410	M8-M16
PC2-250-2	273.0	10.75	16	17	180	7 ¹ / ₁₆	24	45	4.0	710	M8-M16
PC2-250-3	273.0	10.75	20	20	190	7 ¹ / ₂	30	60	6.7	1240	M12-M24
PC2-250-4	273.0	10.75	24	25	205	8 ¹ / ₁₆	36	65	12.7	1830	M12-M36
PC2-250-5	273.0	10.75	30	29	215	8 ⁷ / ₁₆	45	90	18.8	3050	M12-M36
PC2-250-6	273.0	10.75	36	41	215	8 ⁷ / ₁₆	54	90	20.0	3810	M20-M64
PC2-250-7	273.0	10.75	42	45	220	8 ¹¹ / ₁₆	63	110	26.0	5470	M30-M64

Bold part numbers indicate a stocked item.

PC2 PIPE CLAMP FOR UNLAGGED PIPE TWO BOLT TYPE

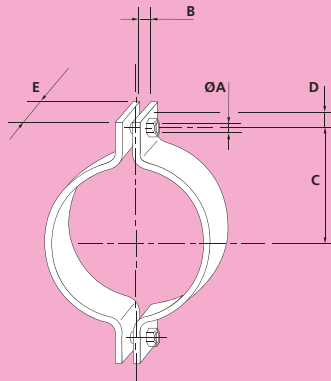


Material: Carbon Steel

Part Number	Pipe O/D		A	B	C		D	E	Weight	Load Capacity at 350C	Compatible with Rod Sizes
	mm	in			mm	in					
PC2-300-1	323.9	12.75	16	17	200	7 ⁷ / ₈	24	40	3.2	380	M8-M16
PC2-300-2	323.9	12.75	16	17	205	8 ¹ / ₁₆	24	45	4.5	650	M8-M16
PC2-300-3	323.9	12.75	20	20	215	8 ⁷ / ₁₆	30	60	7.6	1130	M12-M24
PC2-300-4	323.9	12.75	24	25	235	9 ¹ / ₄	36	65	14.4	1830	M12-M36
PC2-300-5	323.9	12.75	30	29	240	9 ⁷ / ₁₆	45	90	21.0	3050	M12-M36
PC2-300-6	323.9	12.75	36	41	245	9 ⁵ / ₈	54	90	22.5	3810	M20-M64
PC2-300-7	323.9	12.75	42	45	260	10 ¹ / ₄	63	110	36.1	5470	M30-M64
PC2-300-8	323.9	12.75	48	52	265	10 ⁷ / ₁₆	72	130	44.9	8760	M42-M80
PC2-350-1	355.6	14.00	16	17	225	8 ⁷ / ₈	24	45	4.9	570	M8-M16
PC2-350-2	355.6	14.00	16	17	225	8 ⁷ / ₈	24	45	4.9	570	M8-M16
PC2-350-3	355.6	14.00	20	20	230	9 ¹ / ₁₆	30	60	8.1	1080	M12-M24
PC2-350-4	355.6	14.00	24	25	250	9 ¹³ / ₁₆	36	65	15.4	1830	M12-M36
PC2-350-5	355.6	14.00	30	29	255	10 ¹ / ₁₆	45	90	22.3	3050	M12-M36
PC2-350-6	355.6	14.00	36	41	260	10 ¹ / ₄	54	90	23.8	3810	M20-M64
PC2-350-7	355.6	14.00	42	45	275	10 ¹³ / ₁₆	63	110	38.1	5470	M30-M64
PC2-350-8	355.6	14.00	48	52	280	11	72	130	47.2	8250	M42-M80
PC2-350-9	355.6	14.00	56	58	295	11 ⁵ / ₈	84	150	69.5	10000	M42-M80
PC2-400-1	406.4	16.00	16	17	250	9 ¹³ / ₁₆	24	45	5.5	530	M8-M16
PC2-400-2	406.4	16.00	16	17	255	10 ¹ / ₁₆	24	60	8.7	800	M8-M16
PC2-400-3	406.4	16.00	20	20	265	10 ⁷ / ₁₆	30	55	10.5	1320	M12-M24
PC2-400-4	406.4	16.00	24	25	275	10 ¹³ / ₁₆	36	65	17.0	1830	M12-M36
PC2-400-5	406.4	16.00	30	29	285	11 ¹ / ₄	45	90	24.8	3050	M12-M36
PC2-400-6	406.4	16.00	36	41	285	11 ¹ / ₄	54	110	31.3	3810	M20-M64
PC2-400-7	406.4	16.00	42	45	300	11 ¹³ / ₁₆	63	110	41.4	5470	M30-M64
PC2-400-8	406.4	16.00	48	52	305	12	72	130	51.1	7530	M42-M80
PC2-400-9	406.4	16.00	56	58	325	12 ¹³ / ₁₆	84	150	75.5	10000	M42-M80
PC2-400-10	406.4	16.00	64	65	345	13 ⁹ / ₁₆	96	180	125.9	20510	M42-M80

Bold part numbers indicate a stocked item.

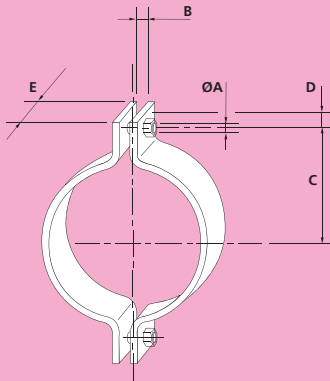
PC2 PIPE CLAMP FOR UNLAGGED PIPE TWO BOLT TYPE



Material: Carbon Steel

Part Number	Pipe O/D		A	B	C		D	E	Weight	Load Capacity at 350C	Compatible with Rod Sizes
	mm	in			mm	in					
PC2-450-2	457.2	18.00	16	17	280	11	24	60	9.6	800	M8-M16
PC2-450-3	457.2	18.00	20	20	290	117/16	30	55	11.5	1260	M12-M24
PC2-450-4	457.2	18.00	24	25	305	12	36	65	18.8	1830	M12-M36
PC2-450-5	457.2	18.00	30	29	310	12 ³ / ₁₆	45	90	27.0	3050	M12-M36
PC2-450-6	457.2	18.00	36	41	315	12 ³ / ₈	54	110	34.3	3810	M20-M64
PC2-450-7	457.2	18.00	42	45	330	13	63	110	45.2	5470	M30-M64
PC2-450-8	457.2	18.00	48	52	335	13 ³ / ₁₆	72	150	63.4	7780	M42-M80
PC2-450-9	457.2	18.00	56	58	350	13 ³ / ₄	84	150	81.0	10000	M42-M80
PC2-450-10	457.2	18.00	64	65	375	14 ³ / ₄	96	180	135.7	20510	M42-M80
PC2-450-11	457.2	18.00	72	69	385	15 ³ / ₁₆	108	180	144.6	21500	M42-M80
PC2-500-2	508	20.00	16	17	305	12	24	60	10.5	800	M8-M16
PC2-500-3	508	20.00	20	20	315	12 ³ / ₈	30	55	12.5	1200	M12-M24
PC2-500-4	508	20.00	24	25	330	13	36	65	20.4	1830	M12-M36
PC2-500-5	508	20.00	30	29	335	13 ³ / ₁₆	45	90	29.2	3050	M12-M36
PC2-500-6	508	20.00	36	41	340	13 ³ / ₈	54	110	37.0	3680	M20-M64
PC2-500-7	508	20.00	42	45	355	14	63	110	48.6	5470	M30-M64
PC2-500-8	508	20.00	48	52	370	14 ³ / ₁₆	72	150	81.7	10420	M42-M80
PC2-500-9	508	20.00	56	58	380	14 ¹ / ₂	84	150	87.2	9870	M42-M80
PC2-500-10	508	20.00	64	65	405	15 ¹ / ₂	96	180	145.4	20380	M42-M80
PC2-500-11	508	20.00	72	69	410	16 ¹ / ₈	108	180	153.2	20020	M42-M80
PC2-500-12	508	20.00	80	77	420	16 ³ / ₁₆	120	220	194.9	23700	M72-M80
PC2-550-3	558.8	22.00	20	20	340	13 ³ / ₈	30	55	13.5	1130	M12-M24
PC2-550-4	558.8	22.00	24	25	355	14	36	65	22.0	1830	M12-M36
PC2-550-5	558.8	22.00	30	29	360	14 ³ / ₁₆	45	90	31.4	2920	M12-M36
PC2-550-6	558.8	22.00	36	41	375	14 ³ / ₄	54	110	49.7	3810	M20-M64
PC2-550-7	558.8	22.00	42	45	385	15 ³ / ₁₆	63	130	61.3	5470	M30-M64
PC2-550-8	558.8	22.00	48	52	400	15 ³ / ₄	72	150	87.9	9480	M42-M80
PC2-550-9	558.8	22.00	56	58	425	16 ³ / ₄	84	150	123.9	10000	M42-M80
PC2-550-10	558.8	22.00	64	65	430	16 ¹ / ₂	96	180	154.0	19130	M42-M80
PC2-550-11	558.8	22.00	72	69	440	17 ³ / ₁₆	108	180	162.9	18340	M42-M80
PC2-550-12	558.8	22.00	80	77	465	18 ³ / ₁₆	120	200	235.6	31070	M72-M80
PC2-550-13	558.8	22.00	80	85	460	18 ¹ / ₈	120	200	233.9	30830	M72-M80

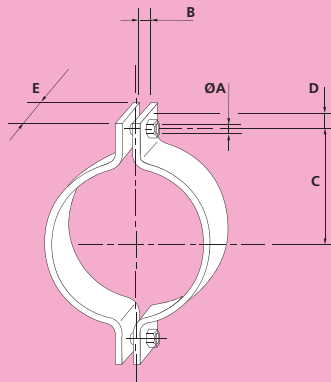
PC2 PIPE CLAMP FOR UNLAGGED PIPE TWO BOLT TYPE



Material: Carbon Steel

Part Number	Pipe O/D		A	B	C		D	E	Weight	Load Capacity at 350C	Compatible with Rod Sizes
	mm	in			mm	in					
PC2-600-3	609.6	24.00	20	20	370	14 ⁹ / ₁₆	30	55	14.7	1010	M12-M24
PC2-600-4	609.6	24.00	24	25	385	15 ³ / ₁₆	36	65	23.8	1830	M12-M36
PC2-600-5	609.6	24.00	30	29	390	15 ³ / ₈	45	90	34.0	2660	M12-M36
PC2-600-6	609.6	24.00	36	41	405	15 ¹⁵ / ₁₆	54	110	53.5	3810	M20-M64
PC2-600-7	609.6	24.00	42	45	410	16 ¹ / ₈	63	130	65.3	5470	M30-M64
PC2-600-8	609.6	24.00	48	52	425	16 ³ / ₄	72	150	93.4	9000	M42-M80
PC2-600-9	609.6	24.00	56	58	450	17 ¹¹ / ₁₆	84	150	131.2	10000	M42-M80
PC2-600-10	609.6	24.00	64	65	460	18 ¹ / ₈	96	180	163.8	17670	M42-M80
PC2-600-11	609.6	24.00	72	69	465	18 ⁵ / ₁₆	108	200	189.0	19260	M42-M80
PC2-600-12	609.6	24.00	80	77	490	19 ⁵ / ₁₆	120	200	247.6	29340	M72-M80
PC2-600-13	609.6	24.00	80	85	490	19 ⁹ / ₁₆	120	200	247.4	29610	M72-M80
PC2-650-3	660.4	26.00	20	20	405	15 ¹⁵ / ₁₆	30	65	24.8	1320	M12-M24
PC2-650-4	660.4	26.00	24	25	410	16 ¹ / ₈	36	65	25.4	1830	M12-M36
PC2-650-5	660.4	26.00	30	29	415	16 ⁵ / ₁₆	45	90	36.2	2530	M12-M36
PC2-650-6	660.4	26.00	36	41	430	16 ¹⁵ / ₁₆	54	110	56.9	3810	M20-M64
PC2-650-7	660.4	26.00	42	45	435	17 ¹ / ₈	63	150	79.5	5470	M30-M64
PC2-650-8	660.4	26.00	48	52	450	17 ¹¹ / ₁₆	72	150	98.8	8560	M42-M80
PC2-650-9	660.4	26.00	56	58	480	18 ⁷ / ₈	84	150	139.4	10000	M42-M80
PC2-650-10	660.4	26.00	64	65	485	19 ¹ / ₈	96	180	172.6	16770	M42-M80
PC2-650-11	660.4	26.00	72	69	490	19 ⁵ / ₁₆	108	200	198.7	18270	M42-M80
PC2-650-12	660.4	26.00	80	77	520	20 ¹ / ₂	120	200	261.1	27260	M72-M80
PC2-650-13	660.4	26.00	80	85	515	20 ¹ / ₄	120	220	283.0	30830	M72-M80
PC2-700-3	711.2	28.00	20	20	430	16 ¹⁵ / ₁₆	30	65	26.4	1320	M12-M24
PC2-700-4	711.2	28.00	24	25	435	17 ¹ / ₈	36	65	27.0	1830	M12-M36
PC2-700-5	711.2	28.00	30	29	440	17 ⁵ / ₁₆	45	90	38.4	2420	M12-M36
PC2-700-6	711.2	28.00	36	41	455	17 ¹⁵ / ₁₆	54	110	60.3	3810	M20-M64
PC2-700-7	711.2	28.00	42	45	460	18 ¹ / ₈	63	150	84.0	5470	M30-M64
PC2-700-8	711.2	28.00	48	52	475	18 ¹¹ / ₁₆	72	150	104.3	8170	M42-M80
PC2-700-9	711.2	28.00	56	58	505	19 ⁷ / ₈	84	150	146.5	10000	M42-M80
PC2-700-10	711.2	28.00	64	65	510	20 ¹ / ₁₆	96	180	181.2	15990	M42-M80
PC2-700-11	711.2	28.00	72	69	520	20 ¹ / ₂	108	220	229.0	18700	M42-M80
PC2-700-12	711.2	28.00	80	77	545	21 ⁷ / ₁₆	120	200	273.0	25950	M72-M80
PC2-700-13	711.2	28.00	80	85	545	21 ⁷ / ₁₆	120	220	297.9	28790	M72-M80

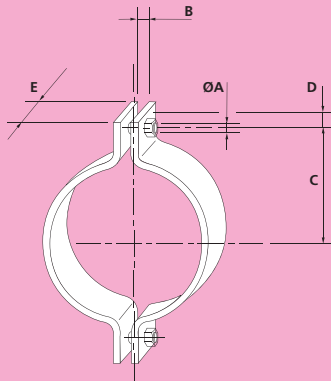
PC2 PIPE CLAMP FOR UNLAGGED PIPE TWO BOLT TYPE



Material: Carbon Steel

Part Number	Pipe O/D		A	B	C		D	E	Weight	Load Capacity at 350C	Compatible with Rod Sizes
	mm	in			mm	in					
PC2-750-4	762.0	30.00	24	25	460	18 ¹ / ₈	36	65	28.6	1780	M12-M36
PC2-750-5	762.0	30.00	30	29	465	18 ⁵ / ₁₆	45	90	40.6	2350	M12-M36
PC2-750-6	762.0	30.00	36	41	480	18 ⁷ / ₈	54	110	63.7	3810	M20-M64
PC2-750-7	762.0	30.00	42	45	485	19 ¹ / ₈	63	150	88.7	5470	M30-M64
PC2-750-8	762.0	30.00	48	52	505	19 ⁷ / ₈	72	150	110.6	7610	M42-M80
PC2-750-9	762.0	30.00	56	58	530	20 ⁷ / ₈	84	150	153.9	10000	M42-M80
PC2-750-10	762.0	30.00	64	65	540	21 ¹ / ₄	96	180	191.1	14970	M42-M80
PC2-750-11	762.0	30.00	72	69	565	22 ¹ / ₄	108	200	275.1	25190	M42-M80
PC2-750-12	762.0	30.00	80	77	570	22 ⁷ / ₁₆	120	200	285.1	24860	M72-M80
PC2-750-13	762.0	30.00	80	85	570	22 ⁷ / ₁₆	120	240	337.6	30070	M72-M80
PC2-800-4	812.8	32.00	24	25	485	19 ¹ / ₈	36	65	30.2	1730	M12-M36
PC2-800-5	812.8	32.00	30	29	490	19 ⁵ / ₁₆	45	110	52.1	2780	M12-M36
PC2-800-6	812.8	32.00	36	41	510	20 ¹ / ₁₆	54	110	67.5	3810	M20-M64
PC2-800-7	812.8	32.00	42	45	525	20 ¹¹ / ₁₆	63	150	113.0	5470	M30-M64
PC2-800-8	812.8	32.00	48	52	550	21 ⁵ / ₈	72	150	155.9	10910	M42-M80
PC2-800-9	812.8	32.00	56	58	560	22 ¹ / ₁₆	84	150	162.3	10000	M42-M80
PC2-800-10	812.8	32.00	64	65	565	22 ¹ / ₄	96	180	199.9	14410	M42-M80
PC2-800-11	812.8	32.00	72	69	590	23 ¹ / ₄	108	200	287.4	24240	M42-M80
PC2-800-12	812.8	32.00	80	77	600	23 ⁵ / ₈	120	200	299.0	23420	M72-M80
PC2-800-13	812.8	32.00	80	85	600	23 ⁵ / ₈	120	240	354.2	28320	M72-M80
PC2-850-4	863.6	34.00	24	25	510	20 ¹ / ₁₆	36	65	31.8	1670	M12-M36
PC2-850-5	863.6	34.00	30	29	515	21 ¹ / ₄	45	110	54.8	2690	M12-M36
PC2-850-6	863.6	34.00	36	41	535	21 ¹ / ₁₆	54	110	70.9	3810	M20-M64
PC2-850-7	863.6	34.00	42	45	550	21 ⁵ / ₈	63	150	118.5	5470	M30-M64
PC2-850-8	863.6	34.00	48	52	575	22 ⁵ / ₈	72	150	163.3	10910	M42-M80
PC2-850-9	863.6	34.00	56	58	585	23 ¹ / ₁₆	84	150	169.5	10000	M42-M80
PC2-850-10	863.6	34.00	64	65	590	23 ¹ / ₄	96	180	208.7	13870	M42-M80
PC2-850-11	863.6	34.00	72	69	620	24 ⁷ / ₁₆	108	200	300.9	22830	M42-M80
PC2-850-12	863.6	34.00	80	77	625	24 ⁵ / ₈	120	220	340.0	24770	M72-M80
PC2-850-13	863.6	34.00	80	85	625	24 ⁵ / ₈	120	260	397.4	29490	M72-M80

PC2 PIPE CLAMP FOR UNLAGGED PIPE TWO BOLT TYPE



Material: Carbon Steel

Part Number	Pipe O/D		A	B	C		D	E	Weight	Load Capacity at 350C	Compatible with Rod Sizes
	mm	in			mm	in					
PC2-900-4	914.4	36.00	24	25	535	21 ¹ / ₁₆	36	65	33.5	1630	M12-M36
PC2-900-5	914.4	36.00	30	29	545	21 ⁷ / ₁₆	45	110	57.9	2490	M12-M36
PC2-900-6	914.4	36.00	36	41	560	22 ¹ / ₁₆	54	110	74.3	3760	M20-M64
PC2-900-7	914.4	36.00	42	45	575	22 ⁵ / ₈	63	150	124.1	5470	M30-M64
PC2-900-8	914.4	36.00	48	52	605	23 ¹³ / ₁₆	72	150	171.6	10910	M42-M80
PC2-900-9	914.4	36.00	56	58	610	24	84	150	176.9	10000	M42-M80
PC2-900-10	914.4	36.00	64	65	620	24 ⁷ / ₁₆	96	200	241.9	14560	M42-M80
PC2-900-11	914.4	36.00	72	69	645	25 ³ / ₈	108	200	313.2	22080	M42-M80
PC2-900-12	914.4	36.00	80	77	655	25 ¹³ / ₁₆	120	220	355.2	23470	M72-M80
PC2-900-13	914.4	36.00	80	85	650	25 ⁹ / ₁₆	120	260	413.4	28500	M72-M80
PC2-950-4	965.2	38.00	24	25	565	22 ¹ / ₄	36	90	48.6	1830	M12-M36
PC2-950-5	965.2	38.00	30	29	570	22 ⁷ / ₁₆	45	110	60.7	2440	M12-M36
PC2-950-6	965.2	38.00	36	41	585	23 ¹ / ₁₆	54	110	77.7	3660	M20-M64
PC2-950-7	965.2	38.00	42	45	605	23 ¹³ / ₁₆	63	150	130.4	5470	M30-M64
PC2-950-8	965.2	38.00	48	52	630	24 ¹³ / ₁₆	72	150	179.0	10910	M42-M80
PC2-950-9	965.2	38.00	56	58	635	25	84	150	184.3	10000	M42-M80
PC2-950-10	965.2	38.00	64	65	645	25 ³ / ₈	96	200	251.7	14130	M42-M80
PC2-950-11	965.2	38.00	72	69	675	26 ⁹ / ₁₆	108	200	327.0	20950	M42-M80
PC2-950-12	965.2	38.00	80	77	680	26 ³ / ₄	120	240	400.3	24800	M72-M80
PC2-950-13	965.2	38.00	80	85	680	26 ³ / ₄	120	280	462.9	29130	M72-M80
PC2-1000-4	1016.0	40.00	24	25	590	23 ¹ / ₄	36	90	50.8	1810	M12-M36
PC2-1000-5	1016.0	40.00	30	29	595	23 ⁷ / ₁₆	45	110	63.4	2370	M12-M36
PC2-1000-6	1016.0	40.00	36	41	610	24	54	130	95.5	3810	M20-M64
PC2-1000-7	1016.0	40.00	42	45	630	24 ¹³ / ₁₆	63	150	135.9	5470	M30-M64
PC2-1000-8	1016.0	40.00	48	52	655	25 ¹³ / ₁₆	72	150	186.3	10910	M42-M80
PC2-1000-9	1016.0	40.00	56	58	665	26 ³ / ₁₆	84	150	192.6	10000	M42-M80
PC2-1000-10	1016.0	40.00	64	65	670	26 ³ / ₈	96	200	261.5	13690	M42-M80
PC2-1000-11	1016.0	40.00	72	69	700	27 ⁹ / ₁₆	108	200	339.1	20290	M42-M80
PC2-1000-12	1016.0	40.00	80	77	705	27 ³ / ₄	120	240	414.8	24010	M72-M80
PC2-1000-13	1016.0	40.00	80	85	705	27 ³ / ₄	120	280	479.9	28200	M72-M80