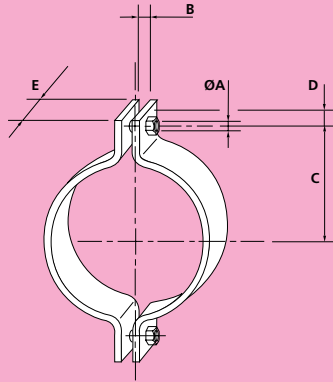


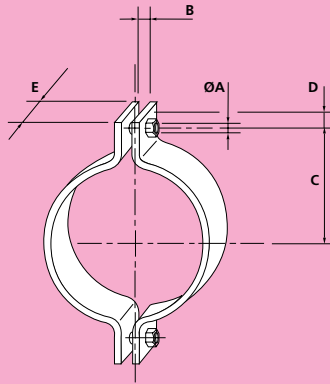
PC2 PIPE CLAMP FOR UNLAGGED PIPE TWO BOLT TYPE



Material: Carbon Steel

Part Number	Pipe O/D		A	B	C		D	E	Weight	Load Capacity at 662F	Compatible with Rod Sizes
	mm	in			in	in					
PC2-15-0	21.3	0.839	0.47	0.59	30	1 3/16	0.71	1.38	0.7	859	3/8 - 5/8
PC2-20-0	26.7	1.051	0.47	0.59	35	1 3/8	0.71	1.38	0.9	859	3/8 - 5/8
PC2-25-0	33.4	1.315	0.47	0.59	40	1 9/16	0.71	1.38	0.9	859	3/8 - 5/8
PC2-32-0	42.2	1.661	0.47	0.59	45	1 3/4	0.71	1.38	0.9	859	3/8 - 5/8
PC2-40-0	48.3	1.902	0.47	0.59	45	1 3/4	0.71	1.38	1.1	859	3/8 - 5/8
PC2-50-0	60.3	2.375	0.47	0.59	55	2 3/16	0.71	1.38	1.1	859	3/8 - 5/8
PC2-50-1	60.3	2.375	0.63	0.67	60	2 3/8	0.94	1.57	2	1631	3/8 - 5/8
PC2-50-2	60.3	2.375	0.63	0.67	60	2 3/8	0.94	1.57	2	1631	3/8 - 5/8
PC2-65-0	73.0	2.875	0.47	0.59	65	2 9/16	0.71	1.38	1.3	815	3/8 - 5/8
PC2-65-1	73.0	2.875	0.63	0.67	70	2 3/4	0.94	1.57	2.2	1300	3/8 - 5/8
PC2-65-2	73.0	2.875	0.63	0.67	70	2 3/4	0.94	1.57	2.2	1300	3/8 - 5/8
PC2-80-0	88.9	3.500	0.47	0.59	70	2 3/4	0.71	1.38	1.5	749	3/8 - 5/8
PC2-80-1	88.9	3.500	0.63	0.67	75	2 15/16	0.94	1.57	2.2	1168	3/8 - 5/8
PC2-80-2	88.9	3.500	0.63	0.67	75	2 15/16	0.94	1.57	2.2	1168	3/8 - 5/8
PC2-90-0	101.6	4.000	0.47	0.59	75	2 15/16	0.71	1.38	1.5	705	3/8 - 5/8
PC2-90-1	101.6	4.000	0.63	0.67	80	3 1/8	0.94	1.57	2.4	1102	3/8 - 5/8
PC2-90-2	101.6	4.000	0.63	0.67	85	3 3/8	0.94	1.57	3.1	1763	3/8 - 5/8
PC2-100-0	114.3	4.500	0.47	0.59	85	3 3/8	0.71	1.38	1.8	595	3/8 - 5/8
PC2-100-1	114.3	4.500	0.63	0.67	90	3 9/16	0.94	1.57	2.6	925	3/8 - 5/8
PC2-100-2	114.3	4.500	0.63	0.67	95	3 3/4	0.94	1.57	3.5	1631	3/8 - 5/8
PC2-100-3	114.3	4.500	0.79	0.79	105	4 1/8	1.18	2.36	8.4	2910	1/2 - 1
PC2-125-0	141.3	5.563	0.47	0.59	95	3 3/4	0.71	1.38	2	573	3/8 - 5/8
PC2-125-1	141.3	5.563	0.63	0.67	105	4 1/8	0.94	1.57	3.7	1499	3/8 - 5/8
PC2-125-2	141.3	5.563	0.63	0.67	105	4 1/8	0.94	1.57	3.7	1499	3/8 - 5/8
PC2-125-3	141.3	5.563	0.79	0.79	120	4 3/4	1.18	2.36	9.5	2910	1/2 - 1
PC2-150-0	168.3	6.625	0.47	0.59	115	4 1/2	0.71	1.57	3.1	749	3/8 - 5/8
PC2-150-1	168.3	6.625	0.63	0.67	120	4 3/4	0.94	1.57	4.4	1300	3/8 - 5/8
PC2-150-2	168.3	6.625	0.63	0.67	120	4 3/4	0.94	1.57	4.4	1300	3/8 - 5/8
PC2-150-3	168.3	6.625	0.79	0.79	135	5 5/16	1.18	2.36	10.6	2910	1/2 - 1
PC2-150-4	168.3	6.625	0.94	0.98	135	5 5/16	1.42	2.36	11.2	3968	1/2 - 1 1/2

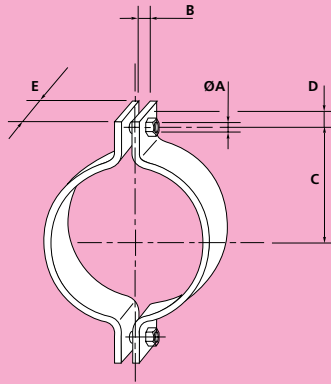
PC2 PIPE CLAMP FOR UNLAGGED PIPE TWO BOLT TYPE



Material: Carbon Steel

Part Number	Pipe O/D		A	B	C		D	E	Weight	Load Capacity at 662F	Compatible with Rod Sizes
	mm	in			in	in					
PC2-175-0	193.7	7.625	0.48	0.6	125	4 15/16	0.71	1.57	3.3	727	3/8 - 5/8
PC2-175-1	193.7	7.625	0.63	0.67	135	5 5/16	0.95	1.57	4.9	1124	3/8 - 5/8
PC2-175-2	193.7	7.625	0.63	0.67	140	5 1/2	0.95	1.77	6.8	1763	3/8 - 5/8
PC2-175-3	193.7	7.625	0.79	0.79	145	5 11/16	1.19	2.36	11.5	2910	1/2 - 1
PC2-175-4	193.7	7.625	0.95	0.99	150	5 7/8	1.42	2.36	12.3	3505	1/2 - 1 1/2
PC2-175-5	193.7	7.625	1.19	1.15	170	6 11/16	1.78	3.54	33.3	6724	1/2 - 1 1/2
PC2-200-0	219.1	8.625	0.48	0.6	140	5 1/2	0.71	1.57	3.7	639	3/8 - 5/8
PC2-200-1	219.1	8.625	0.63	0.67	150	5 7/8	0.95	1.57	5.3	1014	3/8 - 5/8
PC2-200-2	219.1	8.625	0.63	0.67	155	6 1/8	0.95	1.77	7.5	1741	3/8 - 5/8
PC2-200-3	219.1	8.625	0.79	0.79	160	6 5/16	1.19	2.36	12.6	2910	1/2 - 1
PC2-200-4	219.1	8.625	0.95	0.99	180	7 1/16	1.42	2.56	24.5	4034	1/2 - 1 1/2
PC2-200-5	219.1	8.625	1.19	1.15	185	7 4/16	1.78	3.54	35.9	6724	1/2 - 1 1/2
PC2-200-6	219.1	8.625	1.42	1.62	185	7 4/16	2.13	3.54	38.6	8399	3/4 - 2 1/2
PC2-225-0	244.5	9.625	0.48	0.6	150	5 7/8	0.71	1.57	4	639	3/8 - 5/8
PC2-225-1	244.5	9.625	0.63	0.67	160	6 5/16	0.95	1.57	5.7	970	3/8 - 5/8
PC2-225-2	244.5	9.625	0.63	0.67	165	6 1/2	0.95	1.77	7.9	1675	3/8 - 5/8
PC2-225-3	244.5	9.625	0.79	0.79	175	6 7/8	1.19	2.36	13.7	2910	1/2 - 1
PC2-225-4	244.5	9.625	0.95	0.99	190	7 1/2	1.42	2.56	25.8	4034	1/2 - 1 1/2
PC2-225-5	244.5	9.625	1.19	1.15	195	7 11/16	1.78	3.54	37.9	6724	1/2 - 1 1/2
PC2-225-6	244.5	9.625	1.42	1.62	200	7 7/8	2.13	3.54	41.2	8399	3/4 - 2 1/2
PC2-250-0	273.0	10.75	0.48	0.6	170	6 11/16	0.71	1.57	4.4	529	3/8 - 5/8
PC2-250-1	273.0	10.75	0.63	0.67	175	6 7/8	0.95	1.57	6.2	903	3/8 - 5/8
PC2-250-2	273.0	10.75	0.63	0.67	180	7 1/16	0.95	1.77	8.8	1565	3/8 - 5/8
PC2-250-3	273.0	10.75	0.79	0.79	190	7 1/2	1.19	2.36	14.8	2733	1/2 - 1
PC2-250-4	273.0	10.75	0.95	0.99	205	8 1/16	1.42	2.56	28	4034	1/2 - 1 1/2
PC2-250-5	273.0	10.75	1.19	1.15	215	8 7/16	1.78	3.54	41.4	6724	1/2 - 1 1/2
PC2-250-6	273.0	10.75	1.42	1.62	215	8 7/16	2.13	3.54	44.1	8399	3/4 - 2 1/2
PC2-250-7	273.0	10.75	1.66	1.78	220	8 11/16	2.49	4.33	57.3	12059	1 1/4 - 2 1/2

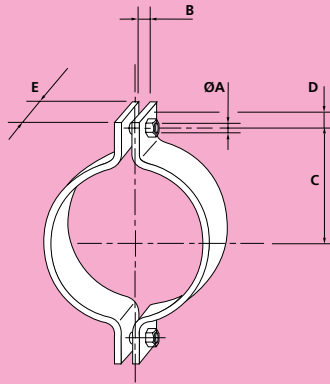
PC2 PIPE CLAMP FOR UNLAGGED PIPE TWO BOLT TYPE



Material: Carbon Steel

Part Number	Pipe OD		A	B	C		D	Weight	Load Capacity at 662F	Compatible with Rod Sizes
	mm	in			in	in				
PC2-300-1	323.9	12.75	0.63	0.67	200	7 7/8	0.95	7.1	837	3/8 - 5/8
PC2-300-2	323.9	12.75	0.63	0.67	205	8 1/16	0.95	9.9	1433	3/8 - 5/8
PC2-300-3	323.9	12.75	0.79	0.79	215	8 7/16	1.19	16.8	2491	1/2 - 1
PC2-300-4	323.9	12.75	0.95	0.99	235	9 1/4	1.42	31.7	4034	1/2 - 1 1/2
PC2-300-5	323.9	12.75	1.19	1.15	240	9 7/16	1.78	46.3	6724	1/2 - 1 1/2
PC2-300-6	323.9	12.75	1.42	1.62	245	9 5/8	2.13	49.6	8399	3/4 - 2 1/2
PC2-300-7	323.9	12.75	1.66	1.78	260	10 1/4	2.49	79.6	12059	1 1/4 - 2 1/2
PC2-300-8	323.9	12.75	1.89	2.05	265	10 7/16	2.84	99	19312	1 3/4 - 3 1/4
PC2-350-1	355.6	14.00	0.63	0.67	225	8 7/8	0.95	10.8	1256	3/8 - 5/8
PC2-350-2	355.6	14.00	0.63	0.67	225	8 7/8	0.95	10.8	1256	3/8 - 5/8
PC2-350-3	355.6	14.00	0.79	0.79	230	9 1/16	1.19	17.9	2380	1/2 - 1
PC2-350-4	355.6	14.00	0.95	0.99	250	9 13/16	1.42	34	4034	1/2 - 1 1/2
PC2-350-5	355.6	14.00	1.19	1.15	255	10 1/16	1.78	49.2	6724	1/2 - 1 1/2
PC2-350-6	355.6	14.00	1.42	1.62	260	10 1/4	2.13	52.5	8399	3/4 - 2 1/2
PC2-350-7	355.6	14.00	1.66	1.78	275	10 13/16	2.49	84	12059	1 1/4 - 2 1/2
PC2-350-8	355.6	14.00	1.89	2.05	280	11	2.84	104.1	18188	1 3/4 - 3 1/4
PC2-350-9	355.6	14.00	2.21	2.29	295	11 5/8	3.31	153.2	22046	1 3/4 - 3 1/4
PC2-400-1	406.4	16.00	0.63	0.67	250	9 13/16	0.95	12.1	1168	3/8 - 5/8
PC2-400-2	406.4	16.00	0.63	0.67	255	10 1/16	0.95	19.2	1763	3/8 - 5/8
PC2-400-3	406.4	16.00	0.79	0.79	265	10 7/16	1.19	23.1	2910	1/2 - 1
PC2-400-4	406.4	16.00	0.95	0.99	275	10 13/16	1.42	37.5	4034	1/2 - 1 1/2
PC2-400-5	406.4	16.00	1.19	1.15	285	11 1/4	1.78	54.7	6724	1/2 - 1 1/2
PC2-400-6	406.4	16.00	1.42	1.62	285	11 1/4	2.13	69	8399	3/4 - 2 1/2
PC2-400-7	406.4	16.00	1.66	1.78	300	11 13/16	2.49	91.3	12059	1 1/4 - 2 1/2
PC2-400-8	406.4	16.00	1.89	2.05	305	12	2.84	112.7	16600	1 3/4 - 3 1/4
PC2-400-9	406.4	16.00	2.21	2.29	325	12 13/16	3.31	166.4	22046	1 3/4 - 3 1/4
PC2-400-10	406.4	16.00	2.52	2.56	345	13 9/16	3.78	277.6	45216	1 3/4 - 3 1/4

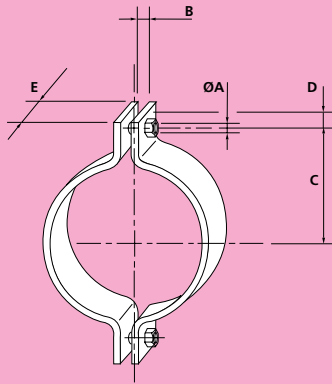
PC2 PIPE CLAMP FOR UNLAGGED PIPE TWO BOLT TYPE



Material: Carbon Steel

Part Number	Pipe O/D		A		B		C		D	E	Weight lbs	Load Capacity at 662F lbs	Compatible with Rod Sizes
	mm	in	in	in	mm	in	in	in					
PC2-450-2	457.2	18.00	0.63	0.67	280	11	0.95	2.37	21.2	1763		3/8 - 5/8	
PC2-450-3	457.2	18.00	0.79	0.79	290	11 7/16	1.19	2.17	25.4	2777		1/2 - 1	
PC2-450-4	457.2	18.00	0.95	0.99	305	12	1.42	2.56	41.4	4034		1/2 - 1 1/2	
PC2-450-5	457.2	18.00	1.19	1.15	310	12 3/16	1.78	3.55	59.5	6724		1/2 - 1 1/2	
PC2-450-6	457.2	18.00	1.42	1.62	315	12 3/8	2.13	4.34	75.6	8399		3/4 - 2 1/2	
PC2-450-7	457.2	18.00	1.66	1.78	330	13	2.49	4.34	99.6	12059		1 1/4 - 2 1/2	
PC2-450-8	457.2	18.00	1.89	2.05	335	13 3/16	2.84	5.91	139.8	17151		1 3/4 - 3 1/4	
PC2-450-9	457.2	18.00	2.21	2.29	350	13 3/4	3.31	5.91	178.6	22046		1 3/4 - 3 1/4	
PC2-450-10	457.2	18.00	2.52	2.56	375	14 3/4	3.78	7.09	299.2	45216		1 3/4 - 3 1/4	
PC2-450-11	457.2	18.00	2.84	2.72	385	15 3/16	4.26	7.09	318.8	47399		1 3/4 - 3 1/4	
PC2-500-2	508	20.00	0.63	0.67	305	12	0.95	2.37	23.1	1763		3/8 - 5/8	
PC2-500-3	508	20.00	0.79	0.79	315	12 3/8	1.19	2.17	27.6	2645		1/2 - 1	
PC2-500-4	508	20.00	0.95	0.99	330	13	1.42	2.56	45	4034		1/2 - 1 1/2	
PC2-500-5	508	20.00	1.19	1.15	335	13 3/16	1.78	3.55	64.4	6724		1/2 - 1 1/2	
PC2-500-6	508	20.00	1.42	1.62	340	13 3/8	2.13	4.34	81.6	8113		3/4 - 2 1/2	
PC2-500-7	508	20.00	1.66	1.78	355	14	2.49	4.34	107.1	12059		1 1/4 - 2 1/2	
PC2-500-8	508	20.00	1.89	2.05	370	14 9/16	2.84	5.91	180.1	22972		1 3/4 - 3 1/4	
PC2-500-9	508	20.00	2.21	2.29	380	14 15/16	3.31	5.91	192.2	21759		1 3/4 - 3 1/4	
PC2-500-10	508	20.00	2.52	2.56	405	15 15/16	3.78	7.09	320.6	44930		1 3/4 - 3 1/4	
PC2-500-11	508	20.00	2.84	2.72	410	16 1/8	4.26	7.09	337.7	44136		1 3/4 - 3 1/4	
PC2-500-12	508	20.00	3.15	3.04	420	16 9/16	4.73	8.67	429.7	52249		3 - 3 1/4	
PC2-550-3	558.8	22.00	0.79	0.79	340	13 3/8	1.19	2.17	29.8	2491		1/2 - 1	
PC2-550-4	558.8	22.00	0.95	0.99	355	14	1.42	2.56	48.5	4034		1/2 - 1 1/2	
PC2-550-5	558.8	22.00	1.19	1.15	360	14 3/16	1.78	3.55	69.2	6437		1/2 - 1 1/2	
PC2-550-6	558.8	22.00	1.42	1.62	375	14 3/4	2.13	4.34	109.6	8399		3/4 - 2 1/2	
PC2-550-7	558.8	22.00	1.66	1.78	385	15 3/16	2.49	5.12	135.1	12059		1 1/4 - 2 1/2	
PC2-550-8	558.8	22.00	1.89	2.05	400	15 3/4	2.84	5.91	193.8	20899		1 3/4 - 3 1/4	
PC2-550-9	558.8	22.00	2.21	2.29	425	16 3/4	3.31	5.91	273.2	22046		1 3/4 - 3 1/4	
PC2-550-10	558.8	22.00	2.52	2.56	430	16 15/16	3.78	7.09	339.5	42174		1 3/4 - 3 1/4	
PC2-550-11	558.8	22.00	2.84	2.72	440	17 5/16	4.26	7.09	359.1	40432		1 3/4 - 3 1/4	
PC2-550-12	558.8	22.00	3.15	3.04	465	18 5/16	4.73	7.88	519.4	68497		3 - 3 1/4	
PC2-550-13	558.8	22.00	3.15	3.35	460	18 1/8	4.73	7.88	515.7	67968		3 - 3 1/4	

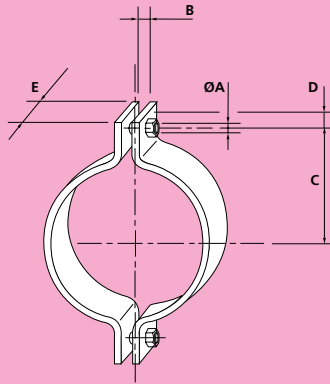
PC2 PIPE CLAMP FOR UNLAGGED PIPE TWO BOLT TYPE



Material: Carbon Steel

Part Number	Pipe OD		A	B	C		D	Weight	Load Capacity at 662F	Compatible with Rod Sizes
	mm	in			mm	in				
PC2-300-1	323.9	12.75	0.63	0.67	200	7 7/8	0.95	7.1	837	3/8 - 5/8
PC2-300-2	323.9	12.75	0.63	0.67	205	8 1/16	0.95	9.9	1433	3/8 - 5/8
PC2-300-3	323.9	12.75	0.79	0.79	215	8 7/16	1.19	16.8	2491	1/2 - 1
PC2-300-4	323.9	12.75	0.95	0.99	235	9 1/4	1.42	31.7	4034	1/2 - 1 1/2
PC2-300-5	323.9	12.75	1.19	1.15	240	9 7/16	1.78	46.3	6724	1/2 - 1 1/2
PC2-300-6	323.9	12.75	1.42	1.62	245	9 5/8	2.13	49.6	8399	3/4 - 2 1/2
PC2-300-7	323.9	12.75	1.66	1.78	260	10 1/4	2.49	79.6	12059	1 1/4 - 2 1/2
PC2-300-8	323.9	12.75	1.89	2.05	265	10 7/16	2.84	99	19312	1 3/4 - 3 1/4
PC2-350-1	355.6	14.00	0.63	0.67	225	8 7/8	0.95	10.8	1256	3/8 - 5/8
PC2-350-2	355.6	14.00	0.63	0.67	225	8 7/8	0.95	10.8	1256	3/8 - 5/8
PC2-350-3	355.6	14.00	0.79	0.79	230	9 1/16	1.19	17.9	2380	1/2 - 1
PC2-350-4	355.6	14.00	0.95	0.99	250	9 13/16	1.42	34	4034	1/2 - 1 1/2
PC2-350-5	355.6	14.00	1.19	1.15	255	10 1/16	1.78	49.2	6724	1/2 - 1 1/2
PC2-350-6	355.6	14.00	1.42	1.62	260	10 1/4	2.13	52.5	8399	3/4 - 2 1/2
PC2-350-7	355.6	14.00	1.66	1.78	275	10 13/16	2.49	84	12059	1 1/4 - 2 1/2
PC2-350-8	355.6	14.00	1.89	2.05	280	11	2.84	104.1	18188	1 3/4 - 3 1/4
PC2-350-9	355.6	14.00	2.21	2.29	295	11 5/8	3.31	153.2	22046	1 3/4 - 3 1/4
PC2-400-1	406.4	16.00	0.63	0.67	250	9 13/16	0.95	12.1	1168	3/8 - 5/8
PC2-400-2	406.4	16.00	0.63	0.67	255	10 1/16	0.95	19.2	1763	3/8 - 5/8
PC2-400-3	406.4	16.00	0.79	0.79	265	10 7/16	1.19	23.1	2910	1/2 - 1
PC2-400-4	406.4	16.00	0.95	0.99	275	10 13/16	1.42	37.5	4034	1/2 - 1 1/2
PC2-400-5	406.4	16.00	1.19	1.15	285	11 1/4	1.78	54.7	6724	1/2 - 1 1/2
PC2-400-6	406.4	16.00	1.42	1.62	285	11 1/4	2.13	69	8399	3/4 - 2 1/2
PC2-400-7	406.4	16.00	1.66	1.78	300	11 13/16	2.49	91.3	12059	1 1/4 - 2 1/2
PC2-400-8	406.4	16.00	1.89	2.05	305	12	2.84	112.7	16600	1 3/4 - 3 1/4
PC2-400-9	406.4	16.00	2.21	2.29	325	12 13/16	3.31	166.4	22046	1 3/4 - 3 1/4
PC2-400-10	406.4	16.00	2.52	2.56	345	13 9/16	3.78	277.6	45216	1 3/4 - 3 1/4

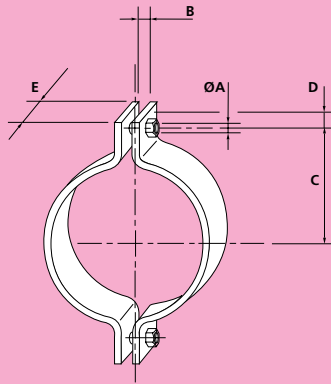
PC2 PIPE CLAMP FOR UNLAGGED PIPE TWO BOLT TYPE



Material: Carbon Steel

Part Number	Pipe OD		A	B	C		D	E	Weight	Load Capacity at 662F	Compatible with Rod Sizes
	mm	in			in	in					
PC2-750-4	762.0	30.00	0.95	0.99	460	18 1/8	1.42	2.56	63.1	3924	1/2 - 1 1/2
PC2-750-5	762.0	30.00	1.19	1.15	465	18 5/16	1.78	3.55	89.5	5180	1/2 - 1 1/2
PC2-750-6	762.0	30.00	1.42	1.62	480	18 7/8	2.13	4.34	140.4	8399	3/4 - 2 1/2
PC2-750-7	762.0	30.00	1.66	1.78	485	19 1/8	2.49	5.91	195.6	12059	1 1/4 - 2 1/2
PC2-750-8	762.0	30.00	1.89	2.05	505	19 7/8	2.84	5.91	243.8	16777	1 3/4 - 3 1/4
PC2-750-9	762.0	30.00	2.21	2.29	530	20 7/8	3.31	5.91	339.3	22046	1 3/4 - 3 1/4
PC2-750-10	762.0	30.00	2.52	2.56	540	21 1/4	3.78	7.09	421.3	33003	1 3/4 - 3 1/4
PC2-750-11	762.0	30.00	2.84	2.72	565	22 1/4	4.26	7.88	606.5	55534	1 3/4 - 3 1/4
PC2-750-12	762.0	30.00	3.15	3.04	570	22 7/16	4.73	7.88	628.5	54806	3 - 3 1/4
PC2-750-13	762.0	30.00	3.15	3.35	570	22 7/16	4.73	9.45	744.3	66293	3 - 3 1/4
PC2-800-4	812.8	32.00	0.95	0.99	485	19 1/8	1.42	2.56	66.6	3813	1/2 - 1 1/2
PC2-800-5	812.8	32.00	1.19	1.15	490	19 5/16	1.78	4.34	114.9	6128	1/2 - 1 1/2
PC2-800-6	812.8	32.00	1.42	1.62	510	20 1/16	2.13	4.34	148.8	8399	3/4 - 2 1/2
PC2-800-7	812.8	32.00	1.66	1.78	525	20 11/16	2.49	5.91	249.1	12059	1 1/4 - 2 1/2
PC2-800-8	812.8	32.00	1.89	2.05	550	21 5/8	2.84	5.91	343.7	24052	1 3/4 - 3 1/4
PC2-800-9	812.8	32.00	2.21	2.29	560	22 1/16	3.31	5.91	357.8	22046	1 3/4 - 3 1/4
PC2-800-10	812.8	32.00	2.52	2.56	565	22 1/4	3.78	7.09	440.7	31768	1 3/4 - 3 1/4
PC2-800-11	812.8	32.00	2.84	2.72	590	23 1/4	4.26	7.88	633.6	53440	1 3/4 - 3 1/4
PC2-800-12	812.8	32.00	3.15	3.04	600	23 5/8	4.73	7.88	659.2	51632	3 - 3 1/4
PC2-800-13	812.8	32.00	3.15	3.35	600	23 5/8	4.73	9.45	780.9	62434	3 - 3 1/4
PC2-850-4	863.6	34.00	0.95	0.99	510	20 1/16	1.42	2.56	70.1	3681	1/2 - 1 1/2
PC2-850-5	863.6	34.00	1.19	1.15	515	21 1/4	1.78	4.34	120.8	5930	1/2 - 1 1/2
PC2-850-6	863.6	34.00	1.42	1.62	535	21 1/16	2.13	4.34	156.3	8399	3/4 - 2 1/2
PC2-850-7	863.6	34.00	1.66	1.78	550	21 5/8	2.49	5.91	261.2	12059	1 1/4 - 2 1/2
PC2-850-8	863.6	34.00	1.89	2.05	575	22 5/8	2.84	5.91	360	24052	1 3/4 - 3 1/4
PC2-850-9	863.6	34.00	2.21	2.29	585	23 1/16	3.31	5.91	373.7	22046	1 3/4 - 3 1/4
PC2-850-10	863.6	34.00	2.52	2.56	590	23 1/4	3.78	7.09	460.1	30578	1 3/4 - 3 1/4
PC2-850-11	863.6	34.00	2.84	2.72	620	24 7/16	4.26	7.88	663.4	50331	1 3/4 - 3 1/4
PC2-850-12	863.6	34.00	3.15	3.04	625	24 5/8	4.73	8.67	749.6	54608	3 - 3 1/4
PC2-850-13	863.6	34.00	3.15	3.35	625	24 5/8	4.73	10.24	876.1	65014	3 - 3 1/4

PC2 PIPE CLAMP FOR UNLAGGED PIPE TWO BOLT TYPE



Material: Carbon Steel

Part Number	Pipe O/D		A	B	C		D	E	Weight	Load Capacity at 662F	Compatible with Rod Sizes
	mm	in			in	mm					
PC2-900-4	914.4	36.00	0.95	0.99	535	21 1/16	1.42	2.56	73.9	3593	1/2 - 1 1/2
PC2-900-5	914.4	36.00	1.19	1.15	545	21 7/16	1.78	4.34	127.6	5489	1/2 - 1 1/2
PC2-900-6	914.4	36.00	1.42	1.62	560	22 1/16	2.13	4.34	163.8	8289	3/4 - 2 1/2
PC2-900-7	914.4	36.00	1.66	1.78	575	22 5/8	2.49	5.91	273.6	12059	1 1/4 - 2 1/2
PC2-900-8	914.4	36.00	1.89	2.05	605	23 13/16	2.84	5.91	378.3	24052	1 3/4 - 3 1/4
PC2-900-9	914.4	36.00	2.21	2.29	610	24	3.31	5.91	390	22046	1 3/4 - 3 1/4
PC2-900-10	914.4	36.00	2.52	2.56	620	24 7/16	3.78	7.88	533.3	32099	1 3/4 - 3 1/4
PC2-900-11	914.4	36.00	2.84	2.72	645	25 3/8	4.26	7.88	690.5	48678	1 3/4 - 3 1/4
PC2-900-12	914.4	36.00	3.15	3.04	655	25 13/16	4.73	8.67	783.1	51742	3 - 3 1/4
PC2-900-13	914.4	36.00	3.15	3.35	650	25 9/16	4.73	10.24	911.4	62831	3 - 3 1/4
PC2-950-4	965.2	38.00	0.95	0.99	565	22 1/4	1.42	3.55	107.1	4034	1/2 - 1 1/2
PC2-950-5	965.2	38.00	1.19	1.15	570	22 7/16	1.78	4.34	133.8	5379	1/2 - 1 1/2
PC2-950-6	965.2	38.00	1.42	1.62	585	23 1/16	2.13	4.34	171.3	8068	3/4 - 2 1/2
PC2-950-7	965.2	38.00	1.66	1.78	605	23 13/16	2.49	5.91	287.5	12059	1 1/4 - 2 1/2
PC2-950-8	965.2	38.00	1.89	2.05	630	24 13/16	2.84	5.91	394.6	24052	1 3/4 - 3 1/4
PC2-950-9	965.2	38.00	2.21	2.29	635	25	3.31	5.91	406.3	22046	1 3/4 - 3 1/4
PC2-950-10	965.2	38.00	2.52	2.56	645	25 3/8	3.78	7.88	554.9	31151	1 3/4 - 3 1/4
PC2-950-11	965.2	38.00	2.84	2.72	675	26 9/16	4.26	7.88	720.9	46186	1 3/4 - 3 1/4
PC2-950-12	965.2	38.00	3.15	3.04	680	26 3/4	4.73	9.45	882.5	54674	3 - 3 1/4
PC2-950-13	965.2	38.00	3.15	3.35	680	26 3/4	4.73	11.03	1020.5	64220	3 - 3 1/4
PC2-1000-4	1016.0	40.00	0.95	0.99	590	23 1/4	1.42	3.55	112	3990	1/2 - 1 1/2
PC2-1000-5	1016.0	40.00	1.19	1.15	595	23 7/16	1.78	4.34	139.8	5224	1/2 - 1 1/2
PC2-1000-6	1016.0	40.00	1.42	1.62	610	24	2.13	5.12	210.5	8399	3/4 - 2 1/2
PC2-1000-7	1016.0	40.00	1.66	1.78	630	24 13/16	2.49	5.91	299.6	12059	1 1/4 - 2 1/2
PC2-1000-8	1016.0	40.00	1.89	2.05	655	25 13/16	2.84	5.91	410.7	24052	1 3/4 - 3 1/4
PC2-1000-9	1016.0	40.00	2.21	2.29	665	26 3/16	3.31	5.91	424.6	22046	1 3/4 - 3 1/4
PC2-1000-10	1016.0	40.00	2.52	2.56	670	26 3/8	3.78	7.88	576.5	30181	1 3/4 - 3 1/4
PC2-1000-11	1016.0	40.00	2.84	2.72	700	27 9/16	4.26	7.88	747.6	44731	1 3/4 - 3 1/4
PC2-1000-12	1016.0	40.00	3.15	3.04	705	27 3/4	4.73	9.45	914.5	52932	3 - 3 1/4
PC2-1000-13	1016.0	40.00	3.15	3.35	705	27 3/4	4.73	11.03	1058	62170	3 - 3 1/4