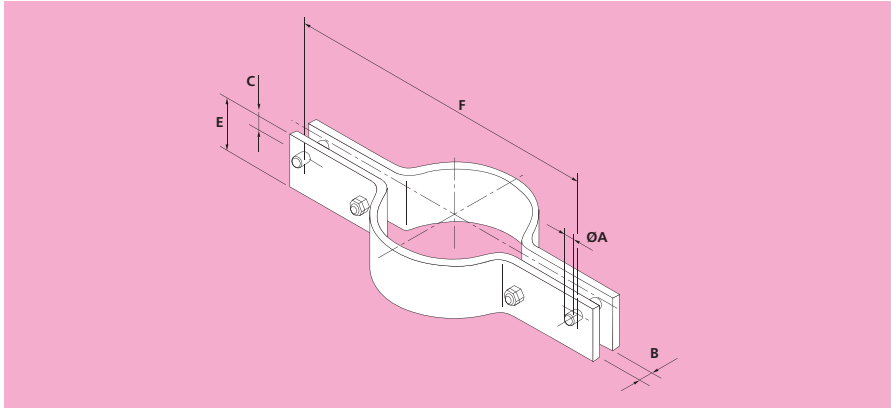


RC4 PRESSED RISER CLAMP FOUR BOLT TYPE

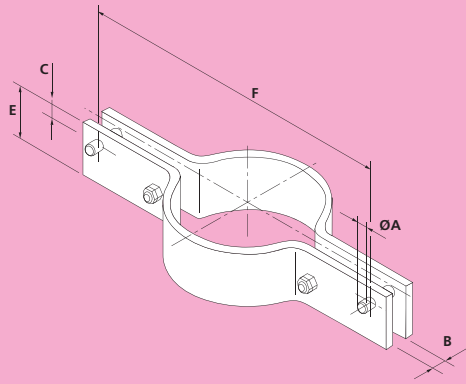


Material: Carbon Steel to 400°C Alloy Steel above 400°C

Order by Part No. and Rod Centres "F"

Part Number	Pipe O/D		A	B	C		E		F		Weight kgf		Load Capacity (kgf) at Temperature C							Compatible with Rod Sizes			
	mm	in			mm	in	Min.	Max.	Min.	Max.	Min.	Max.	350	400	450	530	560	580	600				
RC4-15-0-400	21.3	0.84	12	15	18	1 1/16	50	90	200	800	2.0	18.0	510	470									M8-M16
RC4-15-0-490	21.3	0.84	12	15	18	1 1/16	50	90	200	800	2.0	18.0	520	520	460	340	210	150	120				M8-M16
RC4-15-0-530	21.3	0.84	12	15	18	1 1/16	70	120	200	800	2.8	24.0	720	720	640	490	300	220	160				M8-M16
RC4-15-0-560	21.3	0.84	12	15	18	1 1/16	70	90	200	800	3.3	24.0	780	780	780	670	490	390	310				M8-M16
RC4-15-0-600	21.3	0.84	12	15	18	1 1/16	70	130	200	800	4.1	34.6	780	780	780	780	750	590	470				M8-M16
RC4-20-0-400	26.7	1.05	12	15	18	1 1/16	50	90	200	800	2.0	18.0	510	470									M8-M16
RC4-20-0-490	26.7	1.05	12	15	18	1 1/16	50	90	200	800	2.0	18.0	530	530	470	340	210	150	120				M8-M16
RC4-20-0-530	26.7	1.05	12	15	18	1 1/16	70	120	200	800	2.8	24.0	720	720	640	490	300	220	170				M8-M16
RC4-20-0-560	26.7	1.05	12	15	18	1 1/16	70	90	200	800	3.3	24.0	780	780	780	670	490	390	310				M8-M16
RC4-20-0-600	26.7	1.05	12	15	18	1 1/16	70	130	200	800	4.1	34.6	780	780	780	780	750	590	460				M8-M16
RC4-25-0-400	33.4	1.31	12	15	18	1 1/16	50	90	200	800	2.1	18.1	510	480									M8-M16
RC4-25-0-490	33.4	1.31	12	15	18	1 1/16	50	90	200	800	2.1	18.1	530	530	480	360	220	160	120				M8-M16
RC4-25-0-530	33.4	1.31	12	15	18	1 1/16	70	120	200	800	2.8	24.1	730	730	650	500	320	230	170				M8-M16
RC4-25-0-560	33.4	1.31	12	15	18	1 1/16	60	90	200	800	2.9	24.1	780	780	780	660	480	380	300				M8-M16
RC4-25-0-600	33.4	1.31	12	15	18	1 1/16	90	130	200	800	4.3	34.7	780	780	780	780	750	600	470				M8-M16
RC4-32-0-400	42.2	1.66	12	15	18	1 1/16	50	90	200	800	2.1	18.1	520	480									M12-M24
RC4-32-0-490	42.2	1.66	12	15	18	1 1/16	50	90	200	800	2.1	18.1	530	530	480	360	220	160	120				M12-M24
RC4-32-0-530	42.2	1.66	12	15	18	1 1/16	70	120	200	800	2.9	24.1	730	730	650	500	320	230	170				M12-M24
RC4-32-0-560	42.2	1.66	12	15	18	1 1/16	80	90	200	800	3.3	24.1	780	780	780	640	460	370	280				M12-M24
RC4-32-0-600	42.2	1.66	12	15	18	1 1/16	90	130	200	800	4.4	34.8	780	780	780	780	760	600	470				M12-M24
RC4-40-0-400	48.3	1.90	12	15	18	1 1/16	60	90	250	800	3.0	18.2	520	470									M8-M16
RC4-40-0-490	48.3	1.90	12	15	18	1 1/16	60	90	250	800	3.0	18.2	540	540	470	340	210	150	120				M8-M16
RC4-40-0-530	48.3	1.90	12	15	18	1 1/16	80	120	250	800	3.9	24.2	740	740	640	470	290	210	160				M8-M16
RC4-40-0-560	48.3	1.90	12	15	18	1 1/16	80	90	250	800	4.7	24.2	780	780	780	680	500	400	310				M8-M16
RC4-40-0-600	48.3	1.90	12	15	18	1 1/16	80	130	250	800	5.8	34.9	780	780	780	780	760	610	480				M8-M16
RC4-50-0-400	60.3	2.38	12	15	18	1 1/16	60	120	250	1000	3.0	30.0	530	480									M8-M16
RC4-50-1-400	60.3	2.38	16	17	24	1 5/16	70	100	250	1000	4.4	33.8	800	750									M8-M16
RC4-50-2-400	60.3	2.38	16	17	24	1 5/16	90	140	250	1000	5.7	47.3	1170	1090									M12-M24
RC4-50-0-490	60.3	2.38	12	15	18	1 1/16	60	120	250	1000	3.0	30.0	550	550	480	350	210	150	120				M8-M16
RC4-50-1-490	60.3	2.38	16	17	24	1 5/16	70	100	250	1000	4.4	33.8	830	830	750	600	380	270	200				M8-M16
RC4-50-2-490	60.3	2.38	16	17	24	1 5/16	90	140	250	1000	5.6	47.2	1210	1210	1090	800	500	360	270				M12-M24
RC4-50-0-530	60.3	2.38	12	15	18	1 1/16	80	80	250	1000	4.0	26.6	640	640	580	460	290	210	150				M8-M16
RC4-50-1-530	60.3	2.38	16	17	24	1 5/16	90	120	250	1000	5.6	40.5	1020	1020	930	740	490	340	240				M8-M16
RC4-50-2-530	60.3	2.38	16	17	24	1 5/16	80	110	250	1000	6.2	46.3	1390	1390	1290	1070	730	510	370				M12-M24
RC4-50-0-560	60.3	2.38	12	15	18	1 1/16	70	110	250	1000	4.2	36.6	780	780	780	640	460	370	280				M8-M16
RC4-50-1-560	60.3	2.38	16	17	24	1 5/16	70	160	250	1000	5.5	53.9	1390	1390	1290	1020	740	590	460				M8-M16
RC4-50-2-560	60.3	2.38	16	17	24	1 5/16	100	140	250	1000	7.8	59.0	1600	1600	1600	1430	1070	850	680				M12-M24
RC4-50-0-600	60.3	2.38	12	15	18	1 1/16	80	160	250	1000	5.9	53.1	780	780	780	780	770	610	480				M8-M16
RC4-50-1-600	60.3	2.38	16	17	24	1 5/16	110	150	250	1000	8.5	63.2	1600	1600	1600	1550	1160	920	730				M8-M16
RC4-50-2-600	60.3	2.38	16	17	24	1 5/16	110	150	300	1000	13	75.7	1600	1600	1600	1600	1600	1380	1100				M12-M24

RC4 PRESSED RISER CLAMP FOUR BOLT TYPE

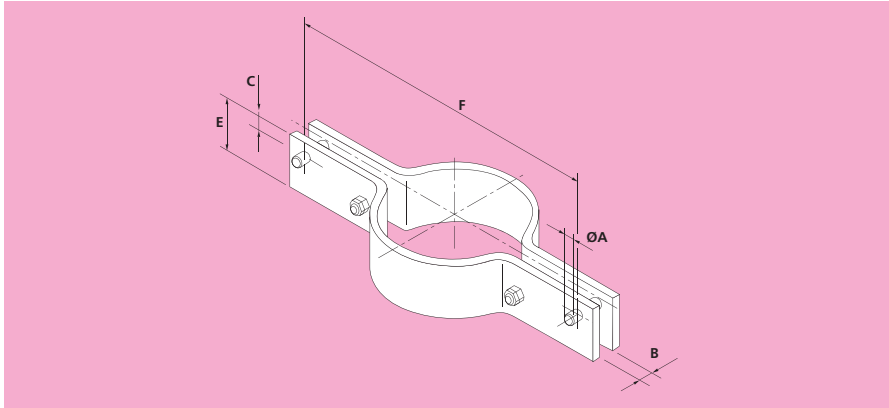


Material: Carbon Steel to 400°C Alloy Steel above 400°C

Order by Part No. and Rod Centres "R"

Part Number	Pipe O/D		A		B		C			E			F		Weight kgf		Load Capacity (kgf) at Temperature C					Compatible with Rod Sizes
	mm	in	mm	mm	mm	in	Min.	Max.	Min.	Max.	Min.	Max.	350	400	490	530	560	580	600			
RC4-65-0-400	73.0	2.88	12	15	18	11/16	60	120	250	1000	3.2	30.3	520	490							M8-M16	
RC4-65-1-400	73.0	2.88	16	17	24	15/16	80	100	300	1000	6.0	34.1	770	730							M8-M16	
RC4-65-2-400	73.0	2.88	16	17	24	15/16	70	140	300	1000	6.5	47.6	1120	1060							M8-M16	
RC4-65-0-490	73.0	2.88	12	15	18	11/16	60	120	250	1000	3.1	30.2	530	530	490	390	260	180	130		M8-M16	
RC4-65-1-490	73.0	2.88	16	17	24	15/16	80	100	250	1000	4.3	30.4	790	790	720	550	350	250	190		M8-M16	
RC4-65-2-490	73.0	2.88	16	17	24	15/16	70	140	300	1000	6.5	47.6	1150	1150	1070	870	580	400	290		M8-M16	
RC4-65-0-530	73.0	2.88	12	15	18	11/16	70	80	250	1000	3.6	26.8	610	610	570	470	310	220	160		M8-M16	
RC4-65-1-530	73.0	2.88	16	17	24	15/16	60	120	300	1000	5.5	40.8	950	950	900	730	480	340	240		M8-M16	
RC4-65-2-530	73.0	2.88	16	17	24	15/16	90	110	300	1000	8.2	46.6	1390	1390	1320	1110	760	530	380		M8-M16	
RC4-65-0-560	73.0	2.88	12	15	18	11/16	70	100	250	1000	4.3	33.5	780	780	730	620	460	360	290		M8-M16	
RC4-65-1-560	73.0	2.88	16	17	24	15/16	80	150	300	1000	7.4	51.0	1240	1240	1160	970	730	580	460		M8-M16	
RC4-65-2-560	73.0	2.88	16	17	24	15/16	110	140	300	1000	10.0	59.3	1600	1600	1600	1470	1090	860	680		M8-M16	
RC4-65-0-600	73.0	2.88	12	15	18	11/16	80	160	300	1000	7.0	53.5	780	780	780	780	760	600	480		M8-M16	
RC4-65-1-600	73.0	2.88	16	17	24	15/16	120	140	300	1000	11	59.3	1600	1600	1600	1480	1140	910	720		M8-M16	
RC4-65-2-600	73.0	2.88	16	17	24	15/16	100	200	300	1000	12	84.6	1600	1600	1600	1600	1600	1350	1070		M8-M16	
RC4-80-0-400	88.9	3.5	12	15	18	11/16	70	120	300	1000	4.3	30.4	510	470							M12-M24	
RC4-80-1-400	88.9	3.5	16	17	24	15/16	80	110	300	1000	6.0	37.6	840	790							M8-M16	
RC4-80-2-400	88.9	3.5	16	17	24	15/16	90	150	350	1000	9.5	51.3	1180	1110							M12-M36	
RC4-80-0-490	88.9	3.5	12	15	18	11/16	70	120	300	1000	4.2	30.4	520	520	470	360	230	160	120		M12-M24	
RC4-80-1-490	88.9	3.5	16	17	24	15/16	80	110	300	1000	6.0	37.6	870	870	790	620	390	280	210		M12-M36	
RC4-80-2-490	88.9	3.5	16	17	24	15/16	70	150	300	1000	6.6	51.2	1220	1220	1110	860	560	390	290		M8-M16	
RC4-80-0-530	88.9	3.5	12	15	18	11/16	70	90	300	1000	5.0	30.3	680	680	630	510	340	240	170		M12-M24	
RC4-80-1-530	88.9	3.5	16	17	24	15/16	80	130	300	1000	5.7	44.4	1040	1040	930	720	470	330	240		M12-M36	
RC4-80-2-530	88.9	3.5	16	17	24	15/16	90	120	300	1000	8.4	51.1	1500	1500	1400	1140	740	520	380		M8-M16	
RC4-80-0-560	88.9	3.5	12	15	18	11/16	80	110	300	1000	5.7	37.0	710	710	710	650	470	380	290		M12-M24	
RC4-80-1-560	88.9	3.5	16	17	24	15/16	80	160	300	1000	7.5	54.6	1300	1300	1200	980	730	580	460		M12-M36	
RC4-80-2-560	88.9	3.5	16	17	24	15/16	110	140	300	1000	10	59.6	1600	1600	1600	1410	1060	840	670		M8-M16	
RC4-80-0-600	88.9	3.5	12	15	18	11/16	80	110	300	1000	7.1	46.2	780	780	780	780	760	600	470		M12-M24	
RC4-80-1-600	88.9	3.5	16	17	24	15/16	120	150	300	1000	11	63.8	1600	1600	1600	1520	1150	910	720		M12-M36	
RC4-80-2-600	88.9	3.5	16	17	24	15/16	100	150	300	1000	12	78.4	1600	1600	1600	1600	1600	1410	1120		M8-M16	
RC4-90-0-400	101.6	4	12	15	18	11/16	70	120	300	1000	4.3	30.6	500	470							M8-M16	
RC4-90-1-400	101.6	4	16	17	24	15/16	70	110	300	1000	5.4	37.8	820	760							M8-M16	
RC4-90-2-400	101.6	4	16	17	24	15/16	80	150	350	1000	8.6	51.5	1160	1080							M8-M16	
RC4-90-0-490	101.6	4	12	15	18	11/16	70	120	300	1000	4.3	30.5	520	520	470	360	230	160	120		M8-M16	
RC4-90-1-490	101.6	4	16	17	24	15/16	70	110	300	1000	5.4	37.8	850	850	750	560	350	250	190		M8-M16	
RC4-90-2-490	101.6	4	16	17	24	15/16	70	150	300	1000	6.6	51.4	1200	1200	1100	880	580	410	290		M8-M16	
RC4-90-0-530	101.6	4	12	15	18	11/16	60	90	300	1000	4.4	30.5	600	600	600	470	300	210	160		M8-M16	
RC4-90-1-530	101.6	4	16	17	24	15/16	90	130	300	1000	6.9	44.6	1030	1030	940	740	470	330	250		M8-M16	
RC4-90-2-530	101.6	4	16	17	24	15/16	90	120	300	1000	8.5	51.3	1480	1480	1370	1150	760	540	400		M8-M16	
RC4-90-0-560	101.6	4	12	15	18	11/16	80	110	300	1000	5.9	37.3	780	780	780	640	470	370	290		M8-M16	
RC4-90-1-560	101.6	4	16	17	24	15/16	80	110	300	1000	7.6	47.1	1340	1340	1250	1050	790	620	490		M8-M16	
RC4-90-2-560	101.6	4	16	17	24	15/16	110	150	300	1000	10	64.1	1580	1580	1580	1490	1120	880	690		M8-M16	
RC4-90-0-600	101.6	4	12	15	18	11/16	80	110	300	1000	7.2	46.4	780	780	780	780	780	620	490		M8-M16	
RC4-90-1-600	101.6	4	16	17	24	15/16	120	160	300	1000	11	68.4	1580	1580	1580	1560	1200	950	760		M8-M16	
RC4-90-2-600	101.6	4	16	17	24	15/16	120	150	350	1000	16	76.7	1600	1600	1600	1600	1580	1370	1090		M8-M16	

RC4 PRESSED RISER CLAMP FOUR BOLT TYPE



Material: Carbon Steel to 400°C Alloy Steel above 400°C

Order by Part No. and Rod Centres "F"

Part Number	Pipe O/D		A	B	C		E		F		Weight kgf		Load Capacity (kgf) at Temperature C							Compatible with Rod Sizes	
	mm	in			mm	mm	mm	in	Min.	Max.	Min.	Max.	Min.	Max.	350	400	400	530	560		580
RC4-100-0-400	114.3	4.5	12	15	18	11/16	60	90	300	1200	3.8	36.3	530	480							M12-M24
RC4-100-1-400	114.3	4.5	16	17	24	15/16	80	130	350	1200	7.1	53.1	800	740							M12-M36
RC4-100-2-400	114.3	4.5	16	17	24	15/16	80	120	350	1200	8.7	61.2	1160	1110							M12-M36
RC4-100-3-400	114.3	4.5	20	20	30	13/16	100	150	400	1200	16.5	92.6	2170	2090							M8-M16
RC4-100-0-490	114.3	4.5	12	15	18	11/16	60	90	300	1200	3.8	36.3	540	540	480	360	220	160	120		M12-M24
RC4-100-1-490	114.3	4.5	16	17	24	15/16	80	130	350	1200	7.0	53.0	830	830	740	560	350	250	190		M12-M36
RC4-100-2-490	114.3	4.5	16	17	24	15/16	80	120	350	1200	8.6	61.1	1190	1190	1120	890	580	410	300		M12-M36
RC4-100-3-490	114.3	4.5	20	20	30	13/16	100	150	400	1200	16.3	92.5	2240	2240	2130	1740	1170	820	580		M8-M16
RC4-100-0-530	114.3	4.5	12	15	18	11/16	80	100	300	1200	5.0	40.4	620	620	570	460	300	220	150		M12-M24
RC4-100-1-530	114.3	4.5	16	17	24	15/16	70	150	350	1200	7.6	61.1	970	970	890	720	480	340	240		M12-M36
RC4-100-2-530	114.3	4.5	16	17	24	15/16	100	140	350	1200	10.7	71.2	1330	1330	1330	1110	740	520	380		M12-M36
RC4-100-3-530	114.3	4.5	20	20	30	13/16	120	170	400	1200	19.5	104.7	2570	2570	2450	2070	1430	1000	710		M8-M16
RC4-100-0-560	114.3	4.5	12	15	18	11/16	70	130	300	1200	5.2	52.4	780	780	760	630	470	370	290		M12-M24
RC4-100-1-560	114.3	4.5	16	17	24	15/16	90	130	350	1200	9.7	66.1	1310	1310	1230	1040	770	610	480		M12-M36
RC4-100-2-560	114.3	4.5	16	17	24	15/16	70	180	350	1200	10.0	91.4	1360	1360	1360	1360	1060	840	670		M12-M36
RC4-100-3-560	114.3	4.5	20	20	30	13/16	150	210	400	1200	24.2	129.2	2630	2630	2630	2630	2060	1630	1290		M8-M16
RC4-100-0-600	114.3	4.5	12	15	18	11/16	90	130	350	1200	9.3	65.4	780	780	780	780	770	610	480		M12-M24
RC4-100-1-600	114.3	4.5	16	17	24	15/16	80	190	350	1200	11.4	96.5	1360	1360	1360	1360	1190	940	750		M12-M36
RC4-100-2-600	114.3	4.5	16	17	24	15/16	110	180	350	1200	15.6	109.6	1600	1600	1600	1600	1600	1380	1100		M12-M36
RC4-100-3-600	114.3	4.5	20	20	30	13/16	150	220	400	1200	30.0	157.6	2630	2630	2630	2630	2630	2550	2020		M8-M16
RC4-125-0-400	141.3	5.56	12	15	18	11/16	70	90	350	1200	5.1	36.7	530	500							M8-M16
RC4-125-1-400	141.3	5.56	16	17	24	15/16	90	130	400	1200	9.0	53.8	800	750							M8-M16
RC4-125-2-400	141.3	5.56	16	17	24	15/16	90	120	400	1200	11.3	61.8	1150	1090							M12-M24
RC4-125-3-400	141.3	5.56	20	20	30	13/16	110	150	450	1200	20.5	93.7	2130	2050							M8-M16
RC4-125-0-490	141.3	5.56	12	15	18	11/16	70	90	350	1200	5.1	36.7	550	550	500	370	230	160	130		M8-M16
RC4-125-1-490	141.3	5.56	16	17	24	15/16	80	130	350	1200	7.2	53.5	830	830	760	610	390	280	200		M8-M16
RC4-125-2-490	141.3	5.56	16	17	24	15/16	90	120	400	1200	11.1	61.7	1180	1180	1100	900	580	410	300		M12-M24
RC4-125-3-490	141.3	5.56	20	20	30	13/16	110	150	450	1200	20.2	93.4	2200	2200	2080	1740	1160	810	580		M12-M36
RC4-125-0-530	141.3	5.56	12	15	18	11/16	70	110	350	1200	6.1	44.8	690	690	630	500	340	230	170		M8-M16
RC4-125-1-530	141.3	5.56	16	17	24	15/16	70	160	350	1200	7.8	65.8	1030	1030	950	760	510	350	250		M8-M16
RC4-125-2-530	141.3	5.56	16	17	24	15/16	110	140	400	1200	13.5	71.9	1400	1400	1310	1090	720	510	380		M12-M24
RC4-125-3-530	141.3	5.56	20	20	30	13/16	130	170	450	1200	23.7	105.8	2530	2530	2400	2030	1400	980	690		M12-M36
RC4-125-0-560	141.3	5.56	12	15	18	11/16	80	140	350	1200	6.9	57.0	780	780	780	650	470	370	290		M8-M16
RC4-125-1-560	141.3	5.56	16	17	24	15/16	80	130	350	1200	8.9	66.7	1030	1030	1030	1020	740	590	460		M8-M16
RC4-125-2-560	141.3	5.56	16	17	24	15/16	80	180	400	1200	13.0	92.3	1600	1600	1600	1460	1090	860	690		M12-M24
RC4-125-3-560	141.3	5.56	20	20	30	13/16	110	220	450	1200	25.0	136.7	2630	2630	2630	2630	2100	1680	1340		M12-M36
RC4-125-0-600	141.3	5.56	12	15	18	11/16	80	130	350	1200	8.6	66.0	780	780	780	780	740	590	460		M8-M16
RC4-125-1-600	141.3	5.56	16	17	24	15/16	90	190	400	1200	14.6	97.4	1600	1600	1600	1540	1160	920	730		M8-M16
RC4-125-2-600	141.3	5.56	16	17	24	15/16	120	180	400	1200	19.3	110.6	1600	1600	1600	1600	1600	1340	1070		M12-M24
RC4-125-3-600	141.3	5.56	20	20	30	13/16	160	230	450	1200	36.1	166.3	2630	2630	2630	2630	2630	2580	2050		M12-M36