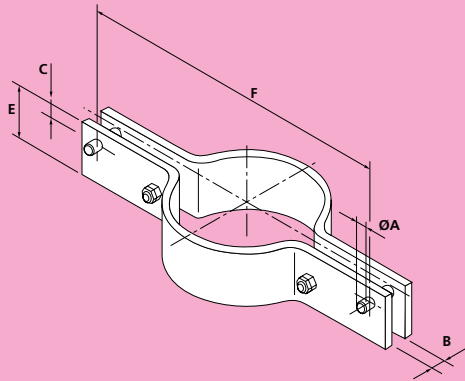


# RC4 PRESSED RISER CLAMP FOUR BOLT TYPE

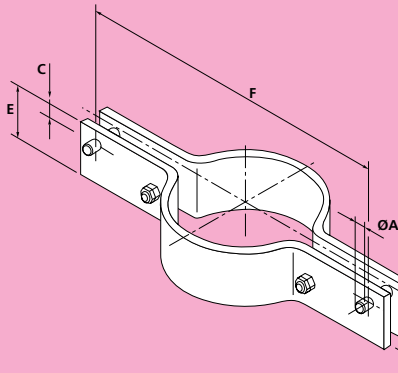


Material: Carbon Steel to 752°F Alloy Steel above 752°F

Order by Part No. and Rod Centres "F"

Part Number	Pipe OD		A		B		C		E		F		Weight lbs		Load Capacity (lbf) at Temperature F							Compatible with Rod Sizes
	mm	in	in	in	mm	in	Min.	Max.	Min.	Max.	Min.	Max.	662	752	914	986	1040	1076	1112			
RC4-15-0-400	21.3	0.84	0.48	0.6	18	11/16	1.97	3.55	7.88	31.5	4.4	39.7	1124	1036							3/8 - 5/8	
RC4-15-0-490	21.3	0.84	0.48	0.6	18	11/16	1.97	3.55	7.88	31.5	4.4	39.7	1146	1046	1014	749	462	330	264		3/8 - 5/8	
RC4-15-0-530	21.3	0.84	0.48	0.6	18	11/16	2.76	4.73	7.88	31.5	6.2	52.9	1587	1587	1410	1080	661	485	352		3/8 - 5/8	
RC4-15-0-560	21.3	0.84	0.48	0.6	18	11/16	2.76	3.55	7.88	31.5	7.3	52.9	1719	1719	1719	1477	1080	859	683		3/8 - 5/8	
RC4-15-0-600	21.3	0.84	0.48	0.6	18	11/16	2.76	5.12	7.88	31.5	9	76.3	1719	1719	1719	1719	1653	1300	1036		3/8 - 5/8	
RC4-20-0-400	26.7	1.05	0.48	0.6	18	11/16	1.97	3.55	7.88	31.5	4.4	39.7	1124	1036							3/8 - 5/8	
RC4-20-0-490	26.7	1.05	0.48	0.6	18	11/16	1.97	3.55	7.88	31.5	4.4	39.7	1168	1168	1036	749	462	330	264		3/8 - 5/8	
RC4-20-0-530	26.7	1.05	0.48	0.6	18	11/16	2.76	4.73	7.88	31.5	6.2	52.9	1587	1587	1410	1080	661	485	374		3/8 - 5/8	
RC4-20-0-560	26.7	1.05	0.48	0.6	18	11/16	2.76	3.55	7.88	31.5	7.3	52.9	1719	1719	1719	1477	1080	859	683		3/8 - 5/8	
RC4-20-0-600	26.7	1.05	0.48	0.6	18	11/16	2.76	5.12	7.88	31.5	9	76.3	1719	1719	1719	1719	1653	1300	1014		3/8 - 5/8	
RC4-25-0-400	33.4	1.31	0.48	0.6	18	11/16	1.97	3.55	7.88	31.5	4.6	39.9	1124	1058							3/8 - 5/8	
RC4-25-0-490	33.4	1.31	0.48	0.6	18	11/16	1.97	3.55	7.88	31.5	4.6	39.9	1168	1168	1058	793	485	352	264		3/8 - 5/8	
RC4-25-0-530	33.4	1.31	0.48	0.6	18	11/16	2.76	4.73	7.88	31.5	6.2	53.1	1609	1609	1433	1102	705	507	374		3/8 - 5/8	
RC4-25-0-560	33.4	1.31	0.48	0.6	18	11/16	2.76	3.55	7.88	31.5	6.4	53.1	1719	1719	1719	1455	1058	837	661		3/8 - 5/8	
RC4-25-0-600	33.4	1.31	0.48	0.6	18	11/16	3.55	5.12	7.88	31.5	9.5	76.5	1719	1719	1719	1719	1653	1322	1036		3/8 - 5/8	
RC4-32-0-400	42.2	1.66	0.48	0.6	18	11/16	1.97	3.55	7.88	31.5	4.6	39.9	1146	1058							1/2 - 1	
RC4-32-0-490	42.2	1.66	0.48	0.6	18	11/16	1.97	3.55	7.88	31.5	4.6	39.9	1168	1168	1058	793	485	352	264		1/2 - 1	
RC4-32-0-530	42.2	1.66	0.48	0.6	18	11/16	2.76	4.73	7.88	31.5	6.4	53.1	1609	1609	1433	1102	705	507	374		1/2 - 1	
RC4-32-0-560	42.2	1.66	0.48	0.6	18	11/16	3.15	3.55	7.88	31.5	7.3	53.1	1719	1719	1719	1410	1014	815	617		1/2 - 1	
RC4-32-0-600	42.2	1.66	0.48	0.6	18	11/16	3.55	5.12	7.88	31.5	9.7	76.7	1719	1719	1719	1719	1675	1322	1036		1/2 - 1	
RC4-40-0-400	48.3	1.90	0.48	0.6	18	11/16	2.37	3.55	9.85	31.5	6.6	40.1	1146	1036							3/8 - 5/8	
RC4-40-0-490	48.3	1.90	0.48	0.6	18	11/16	2.37	3.55	9.85	31.5	6.6	40.1	1190	1190	1036	749	462	330	264		3/8 - 5/8	
RC4-40-0-530	48.3	1.90	0.48	0.6	18	11/16	3.15	4.73	9.85	31.5	8.6	53.4	1631	1631	1410	1036	639	462	352		3/8 - 5/8	
RC4-40-0-560	48.3	1.90	0.48	0.6	18	11/16	3.15	3.55	9.85	31.5	10.4	53.4	1719	1719	1719	1499	1102	881	683		3/8 - 5/8	
RC4-40-0-600	48.3	1.90	0.48	0.6	18	11/16	3.15	5.12	9.85	31.5	12.8	76.9	1719	1719	1719	1719	1675	1344	1058		3/8 - 5/8	
RC4-50-0-400	60.3	2.38	0.48	0.6	18	11/16	2.37	4.73	9.85	39.38	6.6	66.1	1168	1058							3/8 - 5/8	
RC4-50-1-400	60.3	2.38	0.63	0.67	24	15/16	2.76	3.94	9.85	39.38	9.7	74.5	1763	1653							3/8 - 5/8	
RC4-50-2-400	60.3	2.38	0.63	0.67	24	15/16	3.55	5.52	9.85	39.38	12.6	104.3	2579	2403							1/2 - 1	
RC4-50-0-490	60.3	2.38	0.48	0.6	18	11/16	2.37	4.73	9.85	39.38	6.6	66.1	1212	1212	1058	771	462	330	264		3/8 - 5/8	
RC4-50-1-490	60.3	2.38	0.63	0.67	24	15/16	2.76	3.94	9.85	39.38	9.7	74.5	1829	1829	1653	1322	837	595	440		3/8 - 5/8	
RC4-50-2-490	60.3	2.38	0.63	0.67	24	15/16	3.55	5.52	9.85	39.38	12.3	104.1	2667	2667	2403	1763	1102	793	595		1/2 - 1	
RC4-50-0-530	60.3	2.38	0.48	0.6	18	11/16	3.15	3.15	9.85	39.38	8.8	88.6	1410	1410	1278	1014	639	462	330		3/8 - 5/8	
RC4-50-1-530	60.3	2.38	0.63	0.67	24	15/16	3.55	4.73	9.85	39.38	12.3	89.3	2248	2248	2050	1631	1080	749	529		3/8 - 5/8	
RC4-50-2-530	60.3	2.38	0.63	0.67	24	15/16	3.15	4.34	9.85	39.38	13.7	102.1	3064	3064	2843	2358	1609	1124	815		1/2 - 1	
RC4-50-0-560	60.3	2.38	0.48	0.6	18	11/16	2.76	4.34	9.85	39.38	9.3	80.7	1719	1719	1719	1410	1014	815	617		3/8 - 5/8	
RC4-50-1-560	60.3	2.38	0.63	0.67	24	15/16	2.76	6.3	9.85	39.38	12.1	118.8	3064	3064	2821	2248	1631	1300	1014		3/8 - 5/8	
RC4-50-2-560	60.3	2.38	0.63	0.67	24	15/16	3.94	5.52	9.85	39.38	17.2	130.1	3527	3527	3527	3527	3152	2358	1873	1499		1/2 - 1
RC4-50-0-600	60.3	2.38	0.48	0.6	18	11/16	3.15	6.3	9.85	39.38	13	117.1	1719	1719	1719	1719	1697	1344	1058		3/8 - 5/8	
RC4-50-1-600	60.3	2.38	0.63	0.67	24	15/16	4.34	5.91	9.85	39.38	18.7	139.3	3527	3527	3527	3417	2557	2028	1609		3/8 - 5/8	
RC4-50-2-600	60.3	2.38	0.63	0.67	24	15/16	4.34	5.91	11.82	39.38	28.7	166.9	3527	3527	3527	3527	3527	3042	2425		1/2 - 1	

# RC4 PRESSED RISER CLAMP FOUR BOLT TYPE

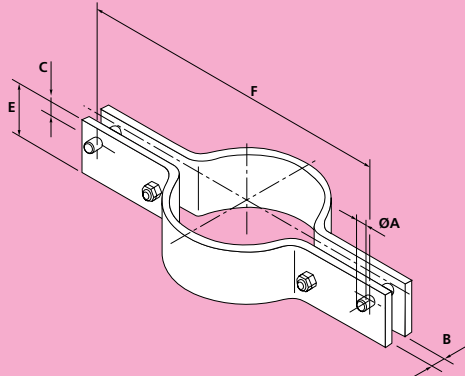


Material: Carbon Steel to 752°F Alloy Steel above 752°F

Order by Part No. and Rod Centres "F"

Part Number	Pipe O.D.		A		B		C		E		F		Weight lbs		Load Capacity (lbf) at Temperature F							Compatible with Rod Sizes	
	mm	in	in	in	mm	in	mm	in	Min.	Max.	Min.	Max.	Min.	Max.	662	752	914	986	1040	1076	1112		
RC4-65-0-400	73.0	2.88	0.48	0.6	18	11/16	2.37	4.73	9.85	39.38	7.1	66.8	1146	1080									3/8 - 5/8
RC4-65-1-400	73.0	2.88	0.63	0.67	24	15/16	3.15	3.94	11.82	39.38	13.2	75.2	1697	1609									3/8 - 5/8
RC4-65-2-400	73.0	2.88	0.63	0.67	24	15/16	2.76	5.52	11.82	39.38	14.3	104.9	2469	2336									3/8 - 5/8
RC4-65-0-490	73.0	2.88	0.48	0.6	18	11/16	2.37	4.73	9.85	39.38	6.8	66.6	1168	1168	1080	859	573	396	286				3/8 - 5/8
RC4-65-1-490	73.0	2.88	0.63	0.67	24	15/16	3.15	3.94	9.85	39.38	9.5	75	1741	1741	1587	1212	771	551	418				3/8 - 5/8
RC4-65-2-490	73.0	2.88	0.63	0.67	24	15/16	2.76	5.52	11.82	39.38	14.3	104.9	2535	2535	2358	1918	1278	881	639				3/8 - 5/8
RC4-65-0-530	73.0	2.88	0.48	0.6	18	11/16	2.76	3.15	9.85	39.38	7.9	59.1	1344	1344	1256	1036	683	485	352				3/8 - 5/8
RC4-65-1-530	73.0	2.88	0.63	0.67	24	15/16	2.37	4.73	11.82	39.38	12.1	89.9	2094	2094	1984	1609	1058	749	529				3/8 - 5/8
RC4-65-2-530	73.0	2.88	0.63	0.67	24	15/16	3.55	4.34	11.82	39.38	18.1	102.7	3064	3064	2910	2447	1675	1168	837				3/8 - 5/8
RC4-65-0-560	73.0	2.88	0.48	0.6	18	11/16	2.76	3.94	9.85	39.38	9.5	73.9	1719	1719	1609	1366	1014	793	639				3/8 - 5/8
RC4-65-1-560	73.0	2.88	0.63	0.67	24	15/16	3.15	5.91	11.82	39.38	16.3	112.4	2733	2733	2557	2138	1609	1278	1014				3/8 - 5/8
RC4-65-2-560	73.0	2.88	0.63	0.67	24	15/16	4.34	5.52	11.82	39.38	22	130.7	3527	3527	3527	3240	2403	1895	1499				3/8 - 5/8
RC4-65-0-600	73.0	2.88	0.48	0.6	18	11/16	3.15	6.3	11.82	39.38	15.4	117.9	1719	1719	1719	1719	1675	1322	1058				3/8 - 5/8
RC4-65-1-600	73.0	2.88	0.63	0.67	24	15/16	4.73	5.52	11.82	39.38	24.3	130.7	3527	3527	3527	3262	2513	2006	1587				3/8 - 5/8
RC4-65-2-600	73.0	2.88	0.63	0.67	24	15/16	3.94	7.88	11.82	39.38	26.5	186.5	3527	3527	3527	3527	3527	2976	2358				3/8 - 5/8
RC4-80-0-400	88.9	3.5	0.48	0.6	18	11/16	2.76	4.73	11.82	39.38	9.5	67	1124	1036									1/2 - 1
RC4-80-1-400	88.9	3.5	0.63	0.67	24	15/16	3.15	4.34	11.82	39.38	13.2	82.9	1851	1741									3/8 - 5/8
RC4-80-2-400	88.9	3.5	0.63	0.67	24	15/16	3.55	5.91	13.78	39.38	20.9	111.3	2601	2447									1/2 - 1 1/2
RC4-80-0-490	88.9	3.5	0.48	0.6	18	11/16	2.76	4.73	11.82	39.38	9.3	67	1146	1146	1036	793	507	352	264				1/2 - 1
RC4-80-1-490	88.9	3.5	0.63	0.67	24	15/16	3.15	4.34	11.82	39.38	13.2	82.9	1918	1918	1741	1366	859	617	462				1/2 - 1 1/2
RC4-80-2-490	88.9	3.5	0.63	0.67	24	15/16	2.76	5.91	11.82	39.38	14.6	119.9	2689	2689	2447	1895	1234	859	639				3/8 - 5/8
RC4-80-0-530	88.9	3.5	0.48	0.6	18	11/16	2.76	3.55	11.82	39.38	11	66.8	1499	1499	1388	1124	749	529	374				1/2 - 1
RC4-80-1-530	88.9	3.5	0.63	0.67	24	15/16	2.37	5.12	11.82	39.38	12.6	97.9	2292	2292	2050	1587	1036	727	529				1/2 - 1 1/2
RC4-80-2-530	88.9	3.5	0.63	0.67	24	15/16	3.55	4.73	11.82	39.38	18.5	112.7	3306	3306	3066	2513	1631	1146	837				3/8 - 5/8
RC4-80-0-560	88.9	3.5	0.48	0.6	18	11/16	3.15	4.34	11.82	39.38	12.6	81.6	1565	1565	1585	1433	1036	837	639				1/2 - 1
RC4-80-1-560	88.9	3.5	0.63	0.67	24	15/16	3.15	6.3	11.82	39.38	16.5	120.4	2866	2866	2645	2160	1609	1278	1014				1/2 - 1 1/2
RC4-80-2-560	88.9	3.5	0.63	0.67	24	15/16	4.34	5.52	11.82	39.38	22	131.4	3527	3527	3527	3108	2336	1851	1477				3/8 - 5/8
RC4-80-0-600	88.9	3.5	0.48	0.6	18	11/16	3.15	4.34	11.82	39.38	15.7	101.9	1719	1719	1719	1719	1675	1322	1036				1/2 - 1
RC4-80-1-600	88.9	3.5	0.63	0.67	24	15/16	4.73	5.91	11.82	39.38	24.3	140.7	3527	3527	3527	3351	2535	2006	1587				1/2 - 1 1/2
RC4-80-2-600	88.9	3.5	0.63	0.67	24	15/16	3.94	5.91	11.82	39.38	26.5	168.4	3527	3527	3527	3527	3527	3108	2469				3/8 - 5/8
RC4-90-0-400	101.6	4	0.48	0.6	18	11/16	2.76	4.73	11.82	39.38	9.5	67.5	1102	1036									3/8 - 5/8
RC4-90-1-400	101.6	4	0.63	0.67	24	15/16	2.76	4.34	11.82	39.38	11.9	83.3	1807	1675									3/8 - 5/8
RC4-90-2-400	101.6	4	0.63	0.67	24	15/16	3.15	5.91	13.78	39.38	19	113.5	2557	2380									3/8 - 5/8
RC4-90-0-490	101.6	4	0.48	0.6	18	11/16	2.76	4.73	11.82	39.38	9.5	67.2	1146	1146	1036	793	507	352	264				3/8 - 5/8
RC4-90-1-490	101.6	4	0.63	0.67	24	15/16	2.76	4.34	11.82	39.38	11.9	83.3	1873	1873	1653	1234	771	551	418				3/8 - 5/8
RC4-90-2-490	101.6	4	0.63	0.67	24	15/16	2.76	5.91	11.82	39.38	14.6	113.3	2645	2645	2425	1940	1278	903	639				3/8 - 5/8
RC4-90-0-530	101.6	4	0.48	0.6	18	11/16	2.37	3.55	11.82	39.38	9.7	67.2	1322	1322	1322	1036	661	462	352				3/8 - 5/8
RC4-90-1-530	101.6	4	0.63	0.67	24	15/16	3.55	5.12	11.82	39.38	15.2	98.3	2270	2270	2072	1631	1036	727	551				3/8 - 5/8
RC4-90-2-530	101.6	4	0.63	0.67	24	15/16	3.55	4.73	11.82	39.38	18.7	113.1	3262	3262	3020	2535	1675	1190	881				3/8 - 5/8
RC4-90-0-560	101.6	4	0.48	0.6	18	11/16	3.15	4.34	11.82	39.38	13	82.2	1719	1719	1719	1410	1036	815	639				3/8 - 5/8
RC4-90-1-560	101.6	4	0.63	0.67	24	15/16	3.15	4.34	11.82	39.38	16.8	103.8	2954	2954	2755	2314	1741	1366	1080				3/8 - 5/8
RC4-90-2-560	101.6	4	0.63	0.67	24	15/16	4.34	5.91	11.82	39.38	22	141.3	3483	3483	3483	3284	2469	1940	1521				3/8 - 5/8
RC4-90-0-600	101.6	4	0.48	0.6	18	11/16	3.15	4.34	11.82	39.38	15.9	102.3	1719	1719	1719	1719	1719	1719	1366				3/8 - 5/8
RC4-90-1-600	101.6	4	0.63	0.67	24	15/16	4.73	6.3	11.82	39.38	24.3	150.8	3483	3483	3483	3483	3439	2645	2094				3/8 - 5/8
RC4-90-2-600	101.6	4	0.63	0.67	24	15/16	4.73	5.91	13.78	39.38	35.3	169.1	3527	3527	3527	3527	3527	3483	3020				3/8 - 5/8

# RC4 PRESSED RISER CLAMP FOUR BOLT TYPE



Material: Carbon Steel to 752°F Alloy Steel above 752°F.

Order by Part No. and Rod Centres "F"

Part Number	Pipe O.D.		A		B		C		E		F		Weight lbs		Load Capacity (lbf) at Temperature F							Compatible with Rod Sizes	
	mm	in	in	in	mm	in	Min.	Max.	Min.	Max.	Min.	Max.	662	752	914	986	1040	1076	1112				
RC4-100-0-400	114.3	4.5	0.48	0.6	18	11/16	2.37	3.55	11.82	47.25	8.4	80	1168	1058									1/2 - 1
RC4-100-1-400	114.3	4.5	0.63	0.67	24	15/16	3.15	5.12	13.78	47.25	15.7	117.1	1763	1631									1/2 - 1 1/2
RC4-100-2-400	114.3	4.5	0.63	0.67	24	15/16	3.15	4.73	13.78	47.25	19.2	134.9	2557	2447									1/2 - 1 1/2
RC4-100-3-400	114.3	4.5	0.79	0.79	30	13/16	3.94	5.91	15.75	47.25	36.4	204.1	4784	4607									3/8 - 5/8
RC4-100-0-490	114.3	4.5	0.48	0.6	18	11/16	2.37	3.55	11.82	47.25	8.4	80	1190	1190	1058	793	485	352	264				1/2 - 1
RC4-100-1-490	114.3	4.5	0.63	0.67	24	15/16	3.15	5.12	13.78	47.25	15.4	116.8	1829	1829	1631	1234	771	551	418				1/2 - 1 1/2
RC4-100-2-490	114.3	4.5	0.63	0.67	24	15/16	3.15	4.73	13.78	47.25	19	134.7	2623	2623	2469	1962	1278	903	661				1/2 - 1 1/2
RC4-100-3-490	114.3	4.5	0.79	0.79	30	13/16	3.94	5.91	15.75	47.25	35.9	203.9	4938	4938	4695	3836	2579	1807	1278				3/8 - 5/8
RC4-100-0-530	114.3	4.5	0.48	0.6	18	11/16	3.15	3.94	11.82	47.25	11	89.1	1366	1366	1256	1014	661	485	330				1/2 - 1
RC4-100-1-530	114.3	4.5	0.63	0.67	24	15/16	2.76	5.91	13.78	47.25	16.8	134.7	2138	2138	1962	1587	1058	749	529				1/2 - 1 1/2
RC4-100-2-530	114.3	4.5	0.63	0.67	24	15/16	3.94	5.52	13.78	47.25	23.6	157	2932	2932	2932	2447	1631	1146	837				1/2 - 1 1/2
RC4-100-3-530	114.3	4.5	0.79	0.79	30	13/16	4.73	6.7	15.75	47.25	43	230.8	5665	5665	5401	4563	3152	2204	1565				3/8 - 5/8
RC4-100-0-560	114.3	4.5	0.48	0.6	18	11/16	2.76	5.12	11.82	47.25	11.5	115.5	1719	1719	1675	1388	1036	815	639				1/2 - 1
RC4-100-1-560	114.3	4.5	0.63	0.67	24	15/16	3.55	5.12	13.78	47.25	21.4	145.7	2888	2888	2711	2292	1697	1344	1058				1/2 - 1 1/2
RC4-100-2-560	114.3	4.5	0.63	0.67	24	15/16	2.76	7.09	13.78	47.25	22	201.5	2998	2998	2998	2998	2336	1851	1477				1/2 - 1 1/2
RC4-100-3-560	114.3	4.5	0.79	0.79	30	13/16	5.91	8.27	15.75	47.25	53.4	284.8	5798	5798	5798	5798	4541	3593	2843				3/8 - 5/8
RC4-100-0-600	114.3	4.5	0.48	0.6	18	11/16	3.55	5.12	13.78	47.25	20.5	144.2	1719	1719	1719	1719	1697	1344	1058				1/2 - 1
RC4-100-1-600	114.3	4.5	0.63	0.67	24	15/16	3.15	7.49	13.78	47.25	25.1	212.7	2998	2998	2998	2998	2623	2072	1653				1/2 - 1 1/2
RC4-100-2-600	114.3	4.5	0.63	0.67	24	15/16	4.34	7.09	13.78	47.25	34.4	241.6	3527	3527	3527	3527	3042	2425					1/2 - 1 1/2
RC4-100-3-600	114.3	4.5	0.79	0.79	30	13/16	5.91	8.67	15.75	47.25	66.1	347.4	5798	5798	5798	5798	5798	5621	4453				3/8 - 5/8
RC4-125-0-400	141.3	5.56	0.48	0.6	18	11/16	2.76	3.55	13.78	47.25	11.2	80.9	1168	1168									3/8 - 5/8
RC4-125-1-400	141.3	5.56	0.63	0.67	24	15/16	3.55	5.12	15.75	47.25	19.8	118.2	1763	1653									3/8 - 5/8
RC4-125-2-400	141.3	5.56	0.63	0.67	24	15/16	3.55	4.73	15.75	47.25	24.9	136.2	2535	2403									1/2 - 1
RC4-125-3-400	141.3	5.56	0.79	0.79	30	13/16	4.34	5.91	17.72	47.25	45.2	206.6	4695	4519									3/8 - 5/8
RC4-125-0-490	141.3	5.56	0.48	0.6	18	11/16	2.76	3.55	13.78	47.25	11.2	80.9	1212	1212	1102	815	507	352	286				3/8 - 5/8
RC4-125-1-490	141.3	5.56	0.63	0.67	24	15/16	3.15	5.12	13.78	47.25	15.9	117.9	1829	1829	1675	1344	859	617	440				3/8 - 5/8
RC4-125-2-490	141.3	5.56	0.63	0.67	24	15/16	3.55	4.73	15.75	47.25	24.5	136	2601	2601	2425	1984	1278	903	661				1/2 - 1
RC4-125-3-490	141.3	5.56	0.79	0.79	30	13/16	4.34	5.91	17.72	47.25	44.5	205.9	4850	4850	4585	3836	2557	1785	1278				1/2 - 1 1/2
RC4-125-0-530	141.3	5.56	0.48	0.6	18	11/16	2.76	4.34	13.78	47.25	13.4	98.8	1521	1521	1521	1102	749	507	374				3/8 - 5/8
RC4-125-1-530	141.3	5.56	0.63	0.67	24	15/16	2.76	6.3	13.78	47.25	17.2	145.1	2270	2270	2094	1675	1124	771	551				3/8 - 5/8
RC4-125-2-530	141.3	5.56	0.63	0.67	24	15/16	4.34	5.52	15.75	47.25	29.8	158.5	3086	3086	2888	2403	1587	1124	837				1/2 - 1
RC4-125-3-530	141.3	5.56	0.79	0.79	30	13/16	5.12	6.7	17.72	47.25	52.2	233.2	5577	5577	5291	4475	3086	2160	1521				1/2 - 1 1/2
RC4-125-0-560	141.3	5.56	0.48	0.6	18	11/16	3.15	5.52	13.78	47.25	15.2	125.7	1719	1719	1719	1433	1036	815	639				3/8 - 5/8
RC4-125-1-560	141.3	5.56	0.63	0.67	24	15/16	3.15	5.12	13.78	47.25	19.6	147	2270	2270	2270	2248	1631	1300	1014				3/8 - 5/8
RC4-125-2-560	141.3	5.56	0.63	0.67	24	15/16	3.15	7.09	15.75	47.25	28.7	203.5	3527	3527	3527	3218	2403	1895	1521				1/2 - 1
RC4-125-3-560	141.3	5.56	0.79	0.79	30	13/16	4.34	8.67	17.72	47.25	55.1	301.4	5798	5798	5798	5798	4629	3703	2954				1/2 - 1 1/2
RC4-125-0-600	141.3	5.56	0.48	0.6	18	11/16	3.15	5.12	13.78	47.25	19	145.5	1719	1719	1719	1719	1631	1300	1014				3/8 - 5/8
RC4-125-1-600	141.3	5.56	0.63	0.67	24	15/16	3.55	7.49	15.75	47.25	32.2	214.7	3527	3527	3527	3395	2557	2028	1608				3/8 - 5/8
RC4-125-2-600	141.3	5.56	0.63	0.67	24	15/16	4.73	7.09	15.75	47.25	42.5	243.8	3527	3527	3527	3527	3527	2954	2369				1/2 - 1
RC4-125-3-600	141.3	5.56	0.79	0.79	30	13/16	6.3	9.06	17.72	47.25	79.6	366.6	5798	5798	5798	5798	5798	5687	4519				1/2 - 1 1/2