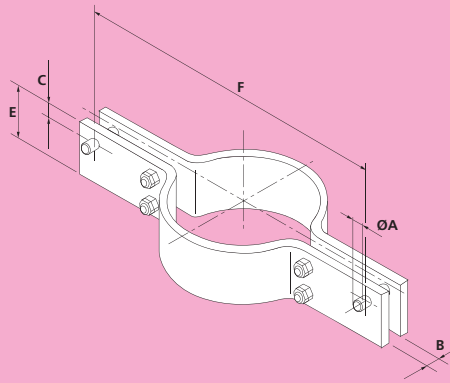


RC6 PRESSED RISER CLAMP SIX BOLT TYPE

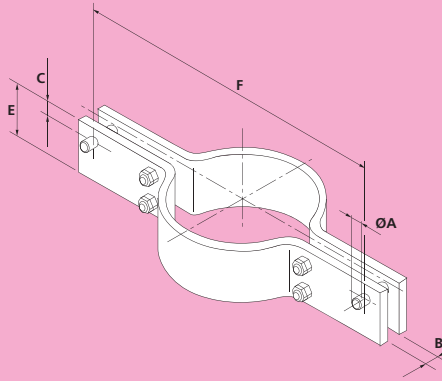


Material: Carbon Steel to 400°C Alloy Steel above 400°C

Order by Part No. and Rod Centres "F"

Part Number	Pipe O/D		A		B		C		E		F		Weight kgf	Load Capacity (kgf) at Temperature C							Compatible with Rod Sizes
	mm	in	mm	mm	mm	in	Min.	Max.	Min.	Max.	Min.	Max.		350	400	490	530	560	580	600	
RC6-150-0-400	168.3	6.63	12	15	18	11/16	80	90	350	1200	6.0	37.1	540	500							M8-M16
RC6-150-1-400	168.3	6.63	16	17	24	15/16	80	130	400	1200	8.1	54.1	810	750							M8-M16
RC6-150-2-400	168.3	6.63	16	17	24	15/16	100	120	400	1200	12.7	62.4	1150	1100							M8-M16
RC6-150-3-400	168.3	6.63	20	20	30	13/16	100	150	450	1200	18.7	94.1	2130	2050							M12-M24
RC6-150-4-400	168.3	6.63	24	25	36	17/16	150	230	450	1200	28.6	145.7	3430	3310							M12-M36
RC6-150-0-490	168.3	6.63	12	15	18	11/16	80	90	350	1200	6.0	37.1	550	550	510	410	280	190	140		M8-M16
RC6-150-1-490	168.3	6.63	16	17	24	15/16	80	130	400	1200	8.1	54.1	830	830	750	560	360	250	190		M8-M16
RC6-150-2-490	168.3	6.63	16	17	24	15/16	80	120	400	1200	10.1	62.2	1180	1180	1110	890	580	410	300		M8-M16
RC6-150-3-490	168.3	6.63	20	20	30	13/16	100	150	450	1200	18.7	94.1	2190	2190	2090	1740	1170	810	580		M12-M24
RC6-150-4-490	168.3	6.63	24	25	36	17/16	150	220	450	1200	28.6	139.2	3370	3370	3200	2710	1820	1270	900		M12-M36
RC6-150-0-530	168.3	6.63	12	15	18	11/16	80	100	350	1200	6.0	41.2	620	620	570	460	290	210	150		M8-M16
RC6-150-1-530	168.3	6.63	16	17	24	15/16	80	150	400	1200	10.1	62.4	970	970	890	720	480	340	240		M8-M16
RC6-150-2-530	168.3	6.63	16	17	24	15/16	100	140	400	1200	12.5	72.6	1410	1410	1310	1100	740	520	380		M8-M16
RC6-150-3-530	168.3	6.63	20	20	30	13/16	120	170	450	1200	22.2	106.5	2520	2520	2400	2030	1430	1000	710		M12-M24
RC6-150-4-530	168.3	6.63	24	25	36	17/16	120	190	450	1200	28.4	140.0	3660	3660	3660	3240	2370	1660	1200		M12-M36
RC6-150-0-560	168.3	6.63	12	15	18	11/16	80	130	350	1200	7.1	53.5	780	780	770	630	470	370	290		M8-M16
RC6-150-1-560	168.3	6.63	16	17	24	15/16	90	130	400	1200	11.3	67.4	1300	1300	1220	1030	770	610	480		M8-M16
RC6-150-2-560	168.3	6.63	16	17	24	15/16	80	180	400	1200	13.3	93.2	1600	1600	1600	1470	1110	880	700		M8-M16
RC6-150-3-560	168.3	6.63	20	20	30	13/16	150	220	450	1200	27.7	137.6	2630	2630	2630	2630	2060	1630	1290		M12-M24
RC6-150-4-560	168.3	6.63	24	25	36	17/16	150	230	450	1200	35.4	169.3	3660	3660	3660	3660	3230	2620	2080		M12-M36
RC6-150-0-600	168.3	6.63	12	15	18	11/16	90	130	400	1200	11.0	66.6	780	780	780	780	770	610	480		M8-M16
RC6-150-1-600	168.3	6.63	16	17	24	15/16	80	190	400	1200	13.3	98.4	1600	1600	1600	1560	1180	930	740		M8-M16
RC6-150-2-600	168.3	6.63	16	17	24	15/16	110	180	400	1200	18.1	111.5	1800	1600	1600	1600	1360	1080			M8-M16
RC6-150-3-600	168.3	6.63	20	20	30	13/16	150	230	450	1200	34.3	167.6	2630	2630	2630	2630	2630	2600	2060		M12-M24
RC6-150-4-600	168.3	6.63	24	25	36	17/16	180	260	500	1200	54.6	218.2	3660	3660	3660	3660	3660	3660	3300		M12-M36

RC6 PRESSED RISER CLAMP SIX BOLT TYPE

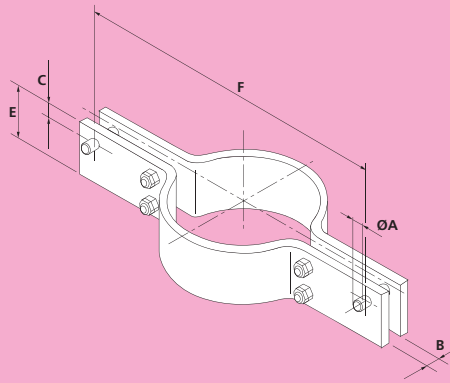


Material: Carbon Steel to 400°C Alloy Steel above 400°C

Order by Part No. and Rod Centres "F"

Part Number	Pipe O/D		A		B		C		E		F		Weight kgf		Load Capacity (kgf) at Temperature C							Compatible with Rod Sizes
	mm	in	mm	mm	mm	in	Min.	Max.	Min.	Max.	Min.	Max.	350	400	450	530	560	580	600			
RC6-175-0-400	193.7	7.63	12	15	18	11/16	80	90	400	1200	6.8	37.4	540	510							M8-M16	
RC6-175-1-400	193.7	7.63	16	17	24	15/16	80	130	400	1200	8.4	54.6	820	770							M8-M16	
RC6-175-2-400	193.7	7.63	16	17	24	15/16	100	120	450	1200	14.2	62.9	1160	1110							M8-M16	
RC6-175-3-400	193.7	7.63	20	20	30	13/16	120	150	500	1200	25.0	95.2	2140	2070							M12-M24	
RC6-175-4-400	193.7	7.63	24	25	36	17/16	160	220	500	1200	33.8	140.6	3280	3170							M12-M36	
RC6-175-5-400	193.7	7.63	30	29	45	13/4	170	230	550	1200	49.5	174.0	4720	4610							M12-M36	
RC6-175-0-490	193.7	7.63	12	15	18	11/16	80	90	400	1200	6.8	37.4	560	560	510	420	260	190	140		M8-M16	
RC6-175-1-490	193.7	7.63	16	17	24	15/16	80	130	400	1200	8.4	54.6	840	840	770	610	390	280	200		M8-M16	
RC6-175-2-490	193.7	7.63	16	17	24	15/16	80	120	400	1200	10.3	62.8	1200	1200	1120	940	620	440	320		M8-M16	
RC6-175-3-490	193.7	7.63	20	20	30	13/16	100	150	450	1200	19.1	95.0	2210	2210	2110	1790	1260	880	630		M12-M24	
RC6-175-4-490	193.7	7.63	24	25	36	17/16	160	220	500	1200	33.6	140.4	3380	3380	3230	2690	1810	1260	900		M12-M36	
RC6-175-5-490	193.7	7.63	30	29	45	13/4	150	230	500	1200	40.6	173.8	4870	4870	4700	4040	2820	1980	1430		M12-M36	
RC6-175-0-530	193.7	7.63	12	15	18	11/16	80	100	400	1200	8.1	41.6	630	630	580	470	320	220	160		M8-M16	
RC6-175-1-530	193.7	7.63	16	17	24	15/16	80	150	400	1200	10.3	63.0	980	980	900	740	500	350	250		M8-M16	
RC6-175-2-530	193.7	7.63	16	17	24	15/16	90	140	400	1200	11.6	73.2	1420	1420	1330	1090	710	500	360		M8-M16	
RC6-175-3-530	193.7	7.63	20	20	30	13/16	110	170	450	1200	21.0	107.6	2540	2540	2420	2050	1400	980	700		M12-M24	
RC6-175-4-530	193.7	7.63	24	25	36	17/16	130	190	500	1200	33.9	141.3	3660	3660	3660	3260	2400	1690	1220		M12-M36	
RC6-175-5-530	193.7	7.63	30	29	45	13/4	170	260	500	1200	45.9	196.3	5560	5560	5370	4630	3240	2270	1640		M12-M36	
RC6-175-0-560	193.7	7.63	12	15	18	11/16	80	130	400	1200	8.1	54.0	780	780	780	630	460	370	290		M8-M16	
RC6-175-1-560	193.7	7.63	16	17	24	15/16	80	120	400	1200	10.3	62.8	1200	1200	1130	950	720	570	450		M8-M16	
RC6-175-2-560	193.7	7.63	16	17	24	15/16	120	170	400	1200	15.4	88.8	1600	1600	1600	1400	1060	840	670		M8-M16	
RC6-175-3-560	193.7	7.63	20	20	30	13/16	140	210	450	1200	26.4	132.7	2630	2630	2630	2620	2040	1630	1300		M12-M24	
RC6-175-4-560	193.7	7.63	24	25	36	17/16	160	230	500	1200	41.6	170.8	3660	3660	3660	3660	3260	2640	2100		M12-M36	
RC6-175-5-560	193.7	7.63	30	29	45	13/4	150	240	500	1200	48.3	206.7	6060	6060	6060	5760	4590	3690	2930		M12-M36	
RC6-175-0-600	193.7	7.63	12	15	18	11/16	90	130	400	1200	11.2	67.3	780	780	780	780	630	500	380		M8-M16	
RC6-175-1-600	193.7	7.63	16	17	24	15/16	90	190	450	1200	16.7	98.3	1600	1600	1600	1580	1200	950	760		M8-M16	
RC6-175-2-600	193.7	7.63	16	17	24	15/16	120	180	450	1200	22.1	112.6	1600	1600	1600	1600	1600	1380	1090		M8-M16	
RC6-175-3-600	193.7	7.63	20	20	30	13/16	140	230	450	1200	32.7	169.1	2630	2630	2630	2630	2630	2080			M12-M24	
RC6-175-4-600	193.7	7.63	24	25	36	17/16	170	250	500	1200	52.5	211.7	3660	3660	3660	3660	3660	3180			M12-M36	
RC6-175-5-600	193.7	7.63	30	29	45	13/4	230	320	500	1100	73.4	255.1	6090	6090	6090	6090	6090	5860	4630		M12-M36	

RC6 PRESSED RISER CLAMP SIX BOLT TYPE

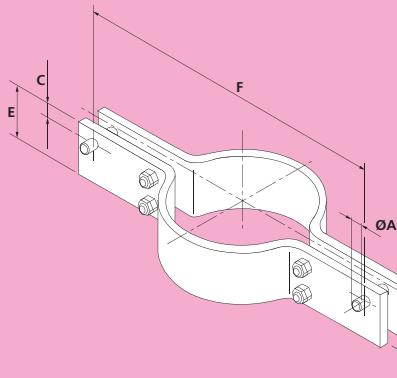


Material: Carbon Steel to 400°C Alloy Steel above 400°C

Order by Part No. and Rod Centres "F"

Part Number	Pipe O/D		A		B		C		E		F		Weight kgf		Load Capacity (kgf) at Temperature C						Compatible with Rod Sizes
	mm	in	mm	mm	mm	in	Min.	Max.	Min.	Max.	Min.	Max.	350	400	490	530	560	580	600		
RC6-200-0-400	219.1	8.63	12	15	18	11/16	80	110	400	1500	7.0	56.5	530	500							M8-M16
RC6-200-1-400	219.1	8.63	16	17	24	15/16	90	160	450	1500	10.5	83.0	790	750							M8-M16
RC6-200-2-400	219.1	8.63	16	17	24	15/16	100	150	450	1500	14.5	97.0	1150	1100							M8-M16
RC6-200-3-400	219.1	8.63	20	20	30	13/16	120	190	500	1500	25.5	148.4	2160	2080							M12-M24
RC6-200-4-400	219.1	8.63	24	25	36	17/16	150	210	500	1500	32.4	192.7	3290	3220							M12-M36
RC6-200-5-400	219.1	8.63	30	29	45	19/16	160	230	550	1500	47.8	243.7	4770	4720							M12-M36
RC6-200-6-400	219.1	8.63	36	41	54	21/8	200	320	600	1400	77.2	322.0	7520	7430							M20-M64
RC6-200-0-490	219.1	8.63	12	15	18	11/16	80	110	400	1500	7.0	56.5	540	540	500	410	280	190	140		M8-M16
RC6-200-1-490	219.1	8.63	16	17	24	15/16	90	160	450	1500	10.5	82.9	820	820	750	620	400	280	210		M8-M16
RC6-200-2-490	219.1	8.63	16	17	24	15/16	80	150	450	1500	11.5	96.9	1190	1190	1100	860	560	400	290		M8-M16
RC6-200-3-490	219.1	8.63	20	20	30	13/16	100	190	500	1500	21.1	148.2	2220	2220	2100	1720	1160	810	580		M12-M24
RC6-200-4-490	219.1	8.63	24	25	36	17/16	150	210	500	1500	32.2	192.1	3390	3390	3280	2690	1810	1260	900		M12-M36
RC6-200-5-490	219.1	8.63	30	29	45	19/16	160	220	550	1500	47.2	232.6	4680	4680	4570	4010	2820	1990	1430		M12-M36
RC6-200-6-490	219.1	8.63	36	41	54	21/8	200	310	600	1400	76.9	311.6	7490	7490	7300	6430	4810	3500	2480		M20-M64
RC6-200-0-530	219.1	8.63	12	15	18	11/16	80	130	450	1500	9.1	66.8	650	650	600	490	330	230	170		M8-M16
RC6-200-1-530	219.1	8.63	16	17	24	15/16	80	120	450	1500	11.5	77.6	930	930	870	730	510	360	260		M8-M16
RC6-200-2-530	219.1	8.63	16	17	24	15/16	100	170	450	1500	14.4	109.8	1360	1360	1280	1070	720	510	370		M8-M16
RC6-200-3-530	219.1	8.63	20	20	30	13/16	120	220	500	1500	25.2	171.5	2600	2600	2490	2100	1420	990	710		M12-M24
RC6-200-4-530	219.1	8.63	24	25	36	17/16	130	240	550	1500	37.1	219.4	3660	3660	3660	3180	2240	1580	1140		M12-M36
RC6-200-5-530	219.1	8.63	30	29	45	19/16	180	250	550	1500	53.0	264.4	5390	5390	5260	4560	3210	2260	1630		M12-M36
RC6-200-6-530	219.1	8.63	36	41	54	21/8	230	310	600	1250	88.0	282.4	7620	7620	7620	7340	5600	4070	2890		M20-M64
RC6-200-0-560	219.1	8.63	12	15	18	11/16	90	160	450	1500	10.2	82.2	780	780	780	630	470	370	290		M8-M16
RC6-200-1-560	219.1	8.63	16	17	24	15/16	90	150	450	1500	12.9	96.9	1190	1190	1120	950	720	570	460		M8-M16
RC6-200-2-560	219.1	8.63	16	17	24	15/16	80	150	450	1500	15.2	116.0	1310	1310	1310	1310	1090	880	700		M8-M16
RC6-200-3-560	219.1	8.63	20	20	30	13/16	150	190	500	1500	31.3	172.5	2510	2510	2510	2510	2040	1610	1280		M12-M24
RC6-200-4-560	219.1	8.63	24	25	36	17/16	170	210	550	1500	48.3	219.0	3660	3660	3660	3660	3160	2590	2040		M12-M36
RC6-200-5-560	219.1	8.63	30	29	45	19/16	160	300	550	1500	56.1	316.8	5480	5480	5480	5480	4580	3690	2930		M12-M36
RC6-200-6-560	219.1	8.63	36	41	54	21/8	200	320	600	1100	89.1	261.2	7620	7620	7620	7620	7310	5930	4700		M20-M64
RC6-200-0-600	219.1	8.63	12	15	18	11/16	90	160	450	1500	12.6	102.4	780	780	780	780	750	590	460		M8-M16
RC6-200-1-600	219.1	8.63	16	17	24	15/16	80	160	450	1500	15.2	123.7	1310	1310	1310	1310	1180	930	740		M8-M16
RC6-200-2-600	219.1	8.63	16	17	24	15/16	110	220	450	1500	20.8	170.0	1600	1600	1600	1600	1600	1340	1060		M8-M16
RC6-200-3-600	219.1	8.63	20	20	30	13/16	150	210	500	1500	38.9	217.4	2630	2630	2630	2630	2630	2570	2030		M12-M24
RC6-200-4-600	219.1	8.63	24	25	36	17/16	180	320	550	1500	60.9	333.4	3660	3660	3660	3660	3660	3660	3240		M12-M36
RC6-200-5-600	219.1	8.63	30	29	45	19/16	240	320	550	1100	83.6	257.3	6090	6090	6090	6090	6090	5750	4570		M12-M36
RC6-200-6-600	219.1	8.63	36	41	54	21/8	230	310	600	750	115.8	184.6	7620	7620	7620	7620	7620	7620	7460		M20-M64

RC6 PRESSED RISER CLAMP SIX BOLT TYPE

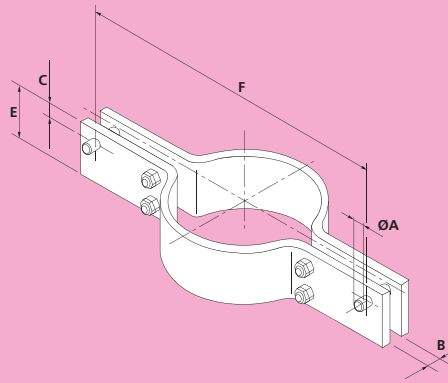


Material: Carbon Steel to 400°C Alloy Steel above 400°C

Order by Part No. and Rod Centres "F"

Part Number	Pipe O/D		A	B	C		E		F		Weight kgf		Load Capacity (kgf) at Temperature C							Compatible with Rod Sizes					
	mm	in			mm	mm	mm	in	Min.	Max.	Min.	Max.	Min.	Max.	350	400	490	530	560		580	600			
RC6-225-0-400	244.5	9.63	12	15	18	11/16	80	110	450	1500	7.8	57.0	530	500											M8-M16
RC6-225-1-400	244.5	9.63	16	17	24	15/16	100	160	500	1500	16.0	83.7	800	760											M8-M16
RC6-225-2-400	244.5	9.63	16	17	24	15/16	100	150	500	1500	16.0	97.7	1170	1110											M8-M16
RC6-225-3-400	244.5	9.63	20	20	30	1 3/16	120	190	550	1500	27.8	149.5	2170	2090											M12-M24
RC6-225-4-400	244.5	9.63	24	25	36	1 7/16	160	210	550	1500	37.6	193.9	3310	3190											M12-M36
RC6-225-5-400	244.5	9.63	30	29	45	1 3/4	170	230	600	1500	54.7	245.3	4790	4650											M12-M36
RC6-225-6-400	244.5	9.63	36	41	54	2 1/8	210	320	650	1400	87.9	325.0	7550	7400											M20-M64
RC6-225-0-490	244.5	9.63	12	15	18	11/16	80	110	450	1500	7.8	57.0	550	550	500	390	250	180	130						M8-M16
RC6-225-1-490	244.5	9.63	16	17	24	15/16	80	160	450	1500	9.5	83.6	830	830	750	570	360	260	190						M8-M16
RC6-225-2-490	244.5	9.63	16	17	24	15/16	100	150	500	1500	16.0	97.7	1200	1200	1120	940	630	450	330						M8-M16
RC6-225-3-490	244.5	9.63	20	20	30	1 3/16	100	190	500	1500	21.5	149.3	2240	2240	2130	1770	1190	830	590						M12-M24
RC6-225-4-490	244.5	9.63	24	25	36	1 7/16	160	210	550	1500	37.4	193.6	3410	3410	3200	2590	1740	1210	860						M12-M36
RC6-225-5-490	244.5	9.63	30	29	45	1 3/4	170	220	600	1500	54.4	234.4	4700	4700	4570	3930	2720	1900	1380						M12-M36
RC6-225-6-490	244.5	9.63	36	41	54	2 1/8	190	310	600	1400	74.2	313.7	7510	7510	7310	6400	4680	3380	2410						M20-M64
RC6-225-0-530	244.5	9.63	12	15	18	11/16	80	130	450	1500	9.2	67.3	660	660	610	490	330	230	160						M8-M16
RC6-225-1-530	244.5	9.63	16	17	24	15/16	80	120	450	1500	11.8	78.1	940	940	880	730	510	360	260						M8-M16
RC6-225-2-530	244.5	9.63	16	17	24	15/16	100	170	450	1500	14.6	110.7	1380	1380	1290	1080	750	520	380						M8-M16
RC6-225-3-530	244.5	9.63	20	20	30	1 3/16	120	220	500	1500	25.7	172.8	2630	2630	2500	2110	1460	1020	720						M12-M24
RC6-225-4-530	244.5	9.63	24	25	36	1 7/16	130	240	550	1500	37.7	220.9	3660	3660	3660	3270	2280	1600	1150						M12-M36
RC6-225-5-530	244.5	9.63	30	29	45	1 3/4	200	250	600	1500	63.7	266.1	5410	5410	5270	4610	3250	2270	1640						M12-M36
RC6-225-6-530	244.5	9.63	36	41	54	2 1/8	220	310	600	1250	85.6	284.5	7620	7620	7620	7340	5490	3970	2830						M20-M64
RC6-225-0-560	244.5	9.63	12	15	18	11/16	90	160	450	1500	10.4	82.8	780	780	760	630	470	370	290						M8-M16
RC6-225-1-560	244.5	9.63	16	17	24	15/16	90	160	450	1500	13.2	104.1	1290	1290	1210	1020	770	610	480						M8-M16
RC6-225-2-560	244.5	9.63	16	17	24	15/16	120	150	450	1500	17.5	116.8	1600	1600	1600	1400	1060	840	660						M8-M16
RC6-225-3-560	244.5	9.63	20	20	30	1 3/16	150	190	500	1500	32.0	173.6	2630	2630	2630	2550	2030	1650	1310						M12-M24
RC6-225-4-560	244.5	9.63	24	25	36	1 7/16	160	220	550	1500	46.3	231.1	3660	3660	3660	3170	2510	2010	1510						M12-M36
RC6-225-5-560	244.5	9.63	30	29	45	1 3/4	180	300	600	1500	68.5	319.1	6090	6090	6090	5680	4650	3800	3000						M12-M36
RC6-225-6-560	244.5	9.63	36	41	54	2 1/8	220	320	650	1100	105.1	263.4	7620	7620	7620	7620	7360	6010	4750						M20-M64
RC6-225-0-600	244.5	9.63	12	15	18	11/16	90	160	450	1500	12.9	103.2	780	780	780	780	770	610	480						M8-M16
RC6-225-1-600	244.5	9.63	16	17	24	15/16	90	160	500	1500	18.8	124.6	1310	1310	1310	1310	1170	940	750						M8-M16
RC6-225-2-600	244.5	9.63	16	17	24	15/16	130	230	500	1500	27.1	179.0	1600	1600	1600	1600	1600	1390	1110						M8-M16
RC6-225-3-600	244.5	9.63	20	20	30	1 3/16	170	220	550	1500	48.0	229.2	2550	2550	2550	2550	2550	2510	2120						M12-M24
RC6-225-4-600	244.5	9.63	24	25	36	1 7/16	170	320	550	1500	58.6	335.8	3660	3660	3660	3660	3660	3660	3200						M12-M36
RC6-225-5-600	244.5	9.63	30	29	45	1 3/4	190	320	600	1100	83.4	259.5	5770	5770	5770	5770	5770	5770	5750						M12-M36
RC6-225-6-600	244.5	9.63	36	41	54	2 1/8	250	300	650	750	135.5	181.1	7620	7620	7620	7620	7620	7620	7420						M20-M64

RC6 PRESSED RISER CLAMP SIX BOLT TYPE

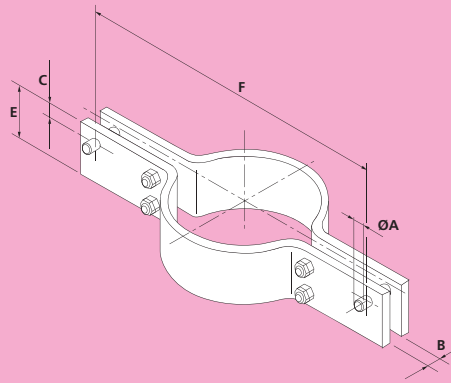


Material: Carbon Steel to 400°C Alloy Steel above 400°C

Order by Part No. and Rod Centres "F"

Part Number	Pipe O/D		A		B		C		E		F		Weight kgf		Load Capacity (kgf) at Temperature C						Compatible with Rod Sizes
	mm	in	mm	mm	mm	in	Min.	Max.	Min.	Max.	Min.	Max.	350	400	490	530	560	580	600		
RC6-250-0-400	273	10.75	12	15	18	11/16	80	100	450	1500	8.0	52.3	490	460							M8-M16
RC6-250-1-400	273	10.75	16	17	24	15/16	100	150	500	1500	16.4	79.2	760	720							M8-M16
RC6-250-2-400	273	10.75	16	17	24	15/16	100	150	500	1500	16.4	98.7	1190	1130							M8-M16
RC6-250-3-400	273	10.75	20	20	30	13/16	120	190	550	1500	28.4	156.8	2210	2130							M12-M24
RC6-250-4-400	273	10.75	24	25	36	17/16	150	210	600	1500	47.8	195.7	3360	3280							M12-M36
RC6-250-5-400	273	10.75	30	29	45	19/16	180	220	650	1500	62.5	236.7	4610	4560							M12-M36
RC6-250-6-400	273	10.75	36	41	54	21/8	220	320	700	1400	98.6	327.6	7620	7430							M20-M64
RC6-250-7-400	273	10.75	42	45	63	21/2	240	320	700	1050	127.7	262.2	10930	10930							M30-M64
RC6-250-0-490	273	10.75	12	15	18	11/16	80	100	450	1500	8.0	52.3	500	500	470	380	260	180	130		M8-M16
RC6-250-1-490	273	10.75	16	17	24	15/16	90	150	500	1500	11.8	79.1	790	790	730	590	380	270	200		M8-M16
RC6-250-2-490	273	10.75	16	17	24	15/16	100	140	500	1500	16.4	92.1	1130	1130	1060	890	630	440	320		M8-M16
RC6-250-3-490	273	10.75	20	20	30	13/16	100	180	550	1500	23.6	142.7	2140	2140	2030	1660	1120	780	560		M12-M24
RC6-250-4-490	273	10.75	24	25	36	17/16	150	200	550	1500	35.8	186.1	3280	3280	3170	2600	1760	1230	880		M12-M36
RC6-250-5-490	273	10.75	30	29	45	19/16	160	280	600	1500	52.3	263.5	4740	4740	4580	3900	2740	1940	1390		M12-M36
RC6-250-6-490	273	10.75	36	41	54	21/8	200	320	650	1450	84.0	336.5	7530	7530	7340	6440	4760	3460	2460		M20-M64
RC6-250-7-490	273	10.75	42	45	63	21/2	230	310	700	1050	121.7	253.2	10930	10930	10750	9310	7180	5360	3760		M30-M64
RC6-250-0-530	273	10.75	12	15	18	11/16	80	120	500	1500	10.3	62.8	620	620	570	470	310	220	160		M8-M16
RC6-250-1-530	273	10.75	16	17	24	15/16	80	120	500	1500	13.0	78.9	960	960	900	750	530	370	270		M8-M16
RC6-250-2-530	273	10.75	16	17	24	15/16	100	170	500	1500	16.2	111.8	1270	1270	1270	1060	700	490	350		M8-M16
RC6-250-3-530	273	10.75	20	20	30	13/16	120	210	550	1500	28.2	166.4	2540	2540	2420	2040	1380	960	690		M12-M24
RC6-250-4-530	273	10.75	24	25	36	17/16	140	230	600	1500	44.4	213.8	3660	3660	3620	3190	2370	1670	1200		M12-M36
RC6-250-5-530	273	10.75	30	29	45	19/16	190	250	600	1500	61.8	268.3	5470	5470	5340	4700	3310	2340	1680		M12-M36
RC6-250-6-530	273	10.75	36	41	54	21/8	230	320	650	1300	96.3	306.7	7620	7620	7620	7400	5540	4030	2860		M20-M64
RC6-250-7-530	273	10.75	42	45	63	21/2	270	310	700	950	142.3	233.7	10930	10930	10930	10850	8550	6380	4480		M30-M64
RC6-250-0-560	273	10.75	12	15	18	11/16	80	160	500	1500	12.7	83.6	780	780	780	650	480	380	300		M8-M16
RC6-250-1-560	273	10.75	16	17	24	15/16	100	150	500	1500	16.2	98.5	1220	1220	1150	980	740	590	470		M8-M16
RC6-250-2-560	273	10.75	16	17	24	15/16	100	150	550	1500	23.1	118.0	1600	1600	1600	1440	1120	900	720		M8-M16
RC6-250-3-560	273	10.75	20	20	30	13/16	160	190	550	1500	37.4	175.2	2630	2630	2630	2610	2090	1680	1330		M12-M24
RC6-250-4-560	273	10.75	24	25	36	17/16	170	280	600	1500	53.5	259.9	3660	3660	3660	3660	3210	2550	2040		M12-M36
RC6-250-5-560	273	10.75	30	29	45	19/16	190	290	650	1500	78.0	311.1	6090	6090	6090	5580	4600	3760	2970		M12-M36
RC6-250-6-560	273	10.75	36	41	54	21/8	210	310	650	1100	102.1	257.8	7620	7620	7620	7390	6050	4780	3600		M20-M64
RC6-250-7-560	273	10.75	42	45	63	21/2	240	320	700	850	144.0	221.1	10930	10930	10930	10930	10710	8770	6920		M30-M64
RC6-250-0-600	273	10.75	12	15	18	11/16	100	150	500	1500	15.8	97.7	780	780	780	780	740	590	470		M8-M16
RC6-250-1-600	273	10.75	16	17	24	15/16	90	160	500	1500	19.2	125.7	1150	1150	1150	1150	1130	970	770		M8-M16
RC6-250-2-600	273	10.75	16	17	24	15/16	120	220	500	1500	25.6	172.8	1530	1530	1530	1530	1510	1380	1090		M8-M16
RC6-250-3-600	273	10.75	20	20	30	13/16	160	280	550	1500	46.4	203.0	2630	2630	2630	2630	2630	2590	2050		M12-M24
RC6-250-4-600	273	10.75	24	25	36	17/16	180	310	600	1500	67.4	328.0	3660	3660	3660	3660	3660	3660	3180		M12-M36
RC6-250-5-600	273	10.75	30	29	45	19/16	200	320	650	1150	95.1	272.7	6090	6090	6090	6090	6090	5830	4620		M12-M36
RC6-250-6-600	273	10.75	36	41	54	21/8	260	310	700	800	151.2	199.3	7620	7620	7620	7620	7620	7620	7480		M20-M64

RC6 PRESSED RISER CLAMP SIX BOLT TYPE

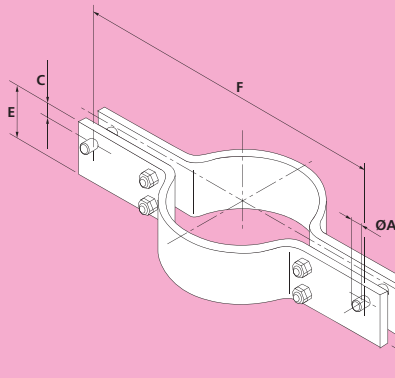


Material: Carbon Steel to 400°C Alloy Steel above 400°C

Order by Part No. and Rod Centres "F"

Part Number	Pipe O/D		A	B	C			E			F				Load Capacity (kgf) at Temperature C						Compatible with Rod Sizes	
	mm	in			mm	mm	mm	in	Min.	Max.	Min.	Max.	Min.	Max.	350	400	490	530	560	580		600
RC6-350-1-400	355.6	14	16	17	24	1 5/16	120	130	600	1850	23.9	105.9	820	790								M8-M16
RC6-350-2-400	355.6	14	16	17	24	1 5/16	120	180	600	1850	23.9	146.4	1170	1120								M8-M16
RC6-350-3-400	355.6	14	20	20	30	1 9/16	150	220	650	1850	42.5	215.6	2080	2020								M12-M24
RC6-350-4-400	355.6	14	24	25	36	1 7/16	180	250	700	1850	68.0	287.3	3260	3190								M12-M36
RC6-350-5-400	355.6	14	30	29	45	1 3/4	190	270	750	1850	77.3	357.3	4630	4560								M12-M36
RC6-350-6-400	355.6	14	36	41	54	2 1/8	240	310	800	1450	124.5	336.4	7420	7350								M20-M64
RC6-350-7-400	355.6	14	42	45	63	2 1/2	270	310	850	1100	172.7	272.8	10930	10770								M30-M64
RC6-350-8-400	355.6	14	48	52	72	2 19/16	310	310	900	900	238.4	238.4	15170	15030								M42-M80
RC6-350-1-490	355.6	14	16	17	24	1 5/16	100	120	600	1850	19.8	97.6	770	770	730	610	440	310	220			M8-M16
RC6-350-2-490	355.6	14	16	17	24	1 5/16	100	170	600	1850	19.8	138.1	1130	1130	1070	900	630	440	320			M8-M16
RC6-350-3-490	355.6	14	20	20	30	1 9/16	120	220	650	1850	33.9	215.3	2150	2150	2060	1760	1270	880	640			M12-M24
RC6-350-4-490	355.6	14	24	25	36	1 7/16	150	250	700	1850	56.3	286.6	3360	3360	3250	2830	2200	1660	1160			M12-M36
RC6-350-5-490	355.6	14	30	29	45	1 3/4	180	270	700	1850	69.1	356.6	4760	4760	4660	4080	2910	2070	1490			M12-M36
RC6-350-6-490	355.6	14	36	41	54	2 1/8	230	320	800	1500	118.3	356.0	7560	7560	7390	6340	4740	3480	2460			M20-M64
RC6-350-7-490	355.6	14	42	45	63	2 1/2	250	320	800	1150	152.3	290.3	10930	10930	10730	9500	7440	5590	3910			M30-M64
RC6-350-8-490	355.6	14	48	52	72	2 19/16	290	310	850	900	213.1	237.1	15630	15630	15280	13520	10960	8410	5860			M42-M80
RC6-350-1-530	355.6	14	16	17	24	1 5/16	100	140	600	1850	19.8	113.8	920	920	860	730	520	370	270			M8-M16
RC6-350-2-530	355.6	14	16	17	24	1 5/16	110	200	600	1850	21.7	162.4	1350	1350	1270	1060	700	490	350			M8-M16
RC6-350-3-530	355.6	14	20	20	30	1 9/16	130	190	650	1850	36.6	216.5	2480	2480	2400	2040	1390	960	700			M12-M24
RC6-350-4-530	355.6	14	24	25	36	1 7/16	150	280	700	1850	56.0	320.5	3660	3660	3660	3190	2380	1700	1220			M12-M36
RC6-350-5-530	355.6	14	30	29	45	1 3/4	200	300	700	1850	76.2	396.0	5340	5340	5220	4570	3260	2320	1670			M12-M36
RC6-350-6-530	355.6	14	36	41	54	2 1/8	200	320	800	1350	118.8	325.0	7620	7620	7620	7460	5820	4370	3060			M20-M64
RC6-350-7-530	355.6	14	42	45	63	2 1/2	280	320	800	1050	170.0	270.2	10930	10930	10930	10790	8410	6320	4420			M30-M64
RC6-350-8-530	355.6	14	48	52	72	2 19/16	320	320	850	850	234.5	234.5	17480	17480	17100	15130	12260	9410	6560			M42-M80
RC6-350-1-560	355.6	14	16	17	24	1 5/16	100	180	600	1850	19.7	146.2	950	950	950	950	730	580	450			M8-M16
RC6-350-2-560	355.6	14	16	17	24	1 5/16	100	180	600	1850	26.0	174.9	1600	1600	1600	1430	1130	910	720			M8-M16
RC6-350-3-560	355.6	14	20	20	30	1 9/16	130	230	700	1850	47.9	261.9	2630	2630	2630	2600	2110	1710	1360			M12-M24
RC6-350-4-560	355.6	14	24	25	36	1 7/16	180	250	700	1850	67.0	326.4	3660	3660	3660	3660	3160	2530	2010			M12-M36
RC6-350-5-560	355.6	14	30	29	45	1 3/4	200	320	750	1700	95.9	392.1	6090	6090	6090	5580	4620	3790	3000			M12-M36
RC6-350-6-560	355.6	14	36	41	54	2 1/8	240	320	800	1200	142.1	294.8	7620	7620	7620	7620	7470	6080	4810			M20-M64
RC6-350-7-560	355.6	14	42	45	63	2 1/2	280	320	850	950	201.8	250.1	10930	10930	10930	10930	10720	8790	6950			M30-M64
RC6-350-1-600	355.6	14	16	17	24	1 5/16	100	180	600	1850	26.0	174.9	1600	1600	1600	1430	1130	910	720			M8-M16
RC6-350-2-600	355.6	14	16	17	24	1 5/16	130	190	600	1850	33.7	214.9	1600	1600	1600	1600	1600	1390	1100			M8-M16
RC6-350-3-600	355.6	14	20	20	30	1 9/16	170	250	650	1850	58.9	324.4	2630	2630	2630	2630	2630	2590	2050			M12-M24
RC6-350-4-600	355.6	14	24	25	36	1 7/16	190	320	700	1600	84.1	367.2	3660	3660	3660	3660	3660	3200				M12-M36
RC6-350-5-600	355.6	14	30	29	45	1 3/4	220	310	750	1200	121.7	281.2	6090	6090	6090	6090	6090	5900	4660			M12-M36
RC6-350-6-600	355.6	14	36	41	54	2 1/8	270	310	800	900	181.2	227.2	7620	7620	7620	7620	7620	7620	7360			M20-M64

RC6 PRESSED RISER CLAMP SIX BOLT TYPE

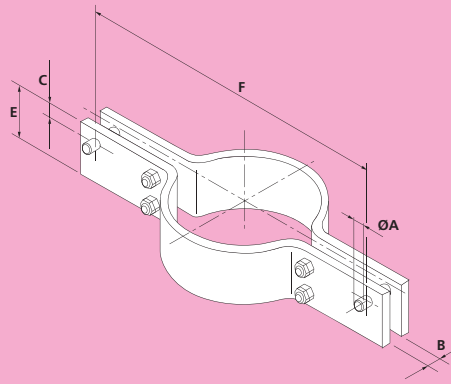


Material: Carbon Steel to 400°C Alloy Steel above 400°C

Order by Part No. and Rod Centres "F"

Part Number	Pipe O/D		A	B	C		E		F		Weight kgf		Load Capacity (kgf) at Temperature C							Compatible with Rod Sizes	
	mm	in			mm	in	Min.	Max.	Min.	Max.	Min.	Max.	350	400	400	530	560	580	600		
RC6-500-2-400	508	20	16	17	24	1 ⁵ / ₁₆	150	150	800	1800	52.8	124.4	1110	1060							M8-M16
RC6-500-3-400	508	20	20	20	30	1 ⁹ / ₁₆	180	190	850	1750	83.5	185.4	2130	2080							M12-M24
RC6-500-4-400	508	20	24	25	36	1 ⁷ / ₁₆	180	210	850	1750	84.5	239.5	3220	3170							M12-M36
RC6-500-5-400	508	20	30	29	45	1 ³ / ₄	220	230	950	1750	136.2	302.7	4620	4580							M12-M36
RC6-500-6-400	508	20	36	41	54	2 ¹ / ₈	220	320	1000	1600	166.2	393.2	7600	7530							M20-M64
RC6-500-7-400	508	20	42	45	63	2 ¹ / ₂	260	310	1050	1250	236.0	319.0	10930	10930							M30-M64
RC6-500-2-490	508	20	16	17	24	1 ⁵ / ₁₆	120	150	800	1800	42.1	124.1	1140	1140	1080	920	660	480	340		M8-M16
RC6-500-3-490	508	20	20	20	30	1 ⁹ / ₁₆	140	190	800	1750	49.7	184.7	2200	2200	2120	1810	1250	870	630		M12-M24
RC6-500-4-490	508	20	24	25	36	1 ⁷ / ₁₆	150	210	850	1750	70.1	238.8	3320	3320	3220	2820	2230	1610	1150		M12-M36
RC6-500-5-490	508	20	30	29	45	1 ³ / ₄	180	230	900	1750	106.8	301.7	4760	4760	4670	4160	3410	2630	1850		M12-M36
RC6-500-6-490	508	20	36	41	54	2 ¹ / ₈	190	320	950	1650	137.8	402.1	7470	7470	7320	6520	5230	3960	2760		M20-M64
RC6-500-7-490	508	20	42	45	63	2 ¹ / ₂	280	320	1000	1300	214.2	337.9	10930	10930	10720	9370	7400	5600	3900		M30-M64
RC6-500-8-490	508	20	48	52	72	2 ¹³ / ₁₆	320	320	1050	1050	291.7	291.7	15230	15230	14940	13300	10900	8420	5930		M42-M80
RC6-500-2-530	508	20	16	17	24	1 ⁵ / ₁₆	120	180	800	1800	42.1	148.8	1390	1390	1320	1120	810	580	420		M8-M16
RC6-500-3-530	508	20	20	20	30	1 ⁹ / ₁₆	160	210	800	1750	56.7	204.1	2450	2450	2360	2020	1440	1000	730		M12-M24
RC6-500-4-530	508	20	24	25	36	1 ⁷ / ₁₆	160	240	850	1750	74.6	272.7	3660	3660	3660	3260	2410	1730	1240		M12-M36
RC6-500-5-530	508	20	30	29	45	1 ³ / ₄	180	260	900	1750	106.8	340.8	5450	5450	5340	4750	3770	2790	1960		M12-M36
RC6-500-6-530	508	20	36	41	54	2 ¹ / ₈	210	320	950	1500	151.9	371.9	7620	7620	7620	7410	5850	4430	3090		M20-M64
RC6-500-7-530	508	20	42	45	63	2 ¹ / ₂	250	320	1000	1200	217.8	317.5	10930	10930	10930	10930	8960	6920	4880		M30-M64
RC6-500-2-560	508	20	16	17	24	1 ⁵ / ₁₆	120	150	800	1800	41.9	148.2	1450	1450	1450	1360	1080	870	690		M8-M16
RC6-500-3-560	508	20	20	20	30	1 ⁹ / ₁₆	130	200	850	1800	59.8	231.3	2480	2480	2480	2480	2040	1640	1300		M12-M24
RC6-500-4-560	508	20	24	25	36	1 ⁷ / ₁₆	200	280	850	1750	92.6	317.9	3660	3660	3660	3660	3170	2590	2050		M12-M36
RC6-500-5-560	508	20	30	29	45	1 ³ / ₄	210	300	900	1750	123.5	392.1	5960	5960	5960	5610	4690	3830	3040		M12-M36
RC6-500-6-560	508	20	36	41	54	2 ¹ / ₈	250	310	950	1350	180.2	331.1	7620	7620	7620	7320	6020	4780		M20-M64	
RC6-500-7-560	508	20	42	45	63	2 ¹ / ₂	290	310	1000	1050	250.6	277.3	10930	10930	10930	10850	8920	7090		M30-M64	
RC6-500-2-600	508	20	16	17	24	1 ⁵ / ₁₆	110	230	800	1800	47.7	222.0	1330	1330	1330	1330	1330	1330	1080		M8-M16
RC6-500-3-600	508	20	20	20	30	1 ⁹ / ₁₆	200	220	800	1800	87.5	289.9	2450	2450	2450	2450	2450	2450	2090		M12-M24
RC6-500-4-600	508	20	24	25	36	1 ⁷ / ₁₆	200	310	850	1750	110.4	400.9	3660	3660	3660	3660	3660	3160		M12-M36	
RC6-500-5-600	508	20	30	29	45	1 ³ / ₄	230	320	900	1400	156.7	347.7	6090	6090	6090	6090	6090	5840	4650		M12-M36
RC6-500-6-600	508	20	36	41	54	2 ¹ / ₈	300	320	1000	1050	254.5	281.3	7620	7620	7620	7620	7620	7620	7340		M20-M64

RC6 PRESSED RISER CLAMP SIX BOLT TYPE

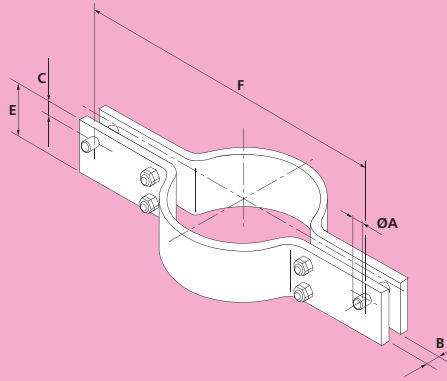


Material: Carbon Steel to 400°C Alloy Steel above 400°C

Order by Part No. and Rod Centres "R"

Part Number	Pipe O/D		A		B		C		E		F		Weight kgf		Load Capacity (kgf) at Temperature C						Compatible with Rod Sizes	
	mm	in	mm	mm	mm	in	Min.	Max.	Min.	Max.	Min.	Max.	350	400	490	530	560	580	600			
RC6-550-3-400	558.8	22	20	20	30	1 3/16	180	180	900	1750	89.0	178.1	2100	2470							M12-M24	
RC6-550-4-400	558.8	22	24	25	36	1 7/16	220	220	950	1750	136.6	255.0	3530	3470							M12-M36	
RC6-550-5-400	558.8	22	30	29	45	1 3/4	260	260	1050	1750	205.3	347.6	5510	5460							M12-M36	
RC6-550-6-400	558.8	22	36	41	54	2 1/8	260	320	1050	1650	208.1	410.0	7590	7520							M20-M64	
RC6-550-7-400	558.8	22	42	45	63	2 1/2	260	310	1100	1300	248.4	333.8	10930	10870							M30-M64	
RC6-550-3-490	558.8	22	20	20	30	1 3/16	150	180	850	1750	56.9	177.5	2160	2160	2080	1770	1210	840	610		M12-M24	
RC6-550-4-490	558.8	22	24	25	36	1 7/16	150	200	900	1750	74.6	230.4	3280	3280	3180	2770	2020	1440	1030		M12-M36	
RC6-550-5-490	558.8	22	30	29	45	1 3/4	180	270	950	1700	113.4	307.2	4760	4760	4620	4020	3160	2380	1660		M12-M36	
RC6-550-6-490	558.8	22	36	41	54	2 1/8	220	320	1050	1700	175.5	418.5	7460	7460	7300	6480	5280	4070	2850		M20-M64	
RC6-550-7-490	558.8	22	42	45	63	2 1/2	230	320	1050	1350	211.8	352.9	10930	10930	10770	9560	7790	6000	4200		M30-M64	
RC6-550-3-530	558.8	22	20	20	30	1 3/16	150	210	900	1750	73.8	206.9	2550	2550	2460	2100	1580	1170	820		M12-M24	
RC6-550-4-530	558.8	22	24	25	36	1 7/16	170	230	900	1750	84.4	264.8	3660	3660	3660	3210	2310	1660	1180		M12-M36	
RC6-550-5-530	558.8	22	30	29	45	1 3/4	180	250	950	1750	113.4	332.0	5440	5440	5330	4730	3630	2670	1890		M12-M36	
RC6-550-6-530	558.8	22	36	41	54	2 1/8	230	320	1050	1550	183.3	388.3	7620	7620	7370	5780	4360	3040			M20-M64	
RC6-550-7-530	558.8	22	42	45	63	2 1/2	260	320	1050	1250	238.7	332.8	10930	10930	10930	10740	8760	6740	4720		M30-M64	
RC6-550-3-560	558.8	22	20	20	30	1 3/16	150	180	900	1750	73.5	206.0	2590	2590	2590	2490	2020	1650	1310		M12-M24	
RC6-550-4-560	558.8	22	24	25	36	1 7/16	160	280	950	1750	98.5	322.1	3660	3660	3660	3660	3280	2680	2120		M12-M36	
RC6-550-5-560	558.8	22	30	29	45	1 3/4	210	290	950	1750	131.2	384.7	5380	5380	5380	5380	4580	3700	2930		M12-M36	
RC6-550-6-560	558.8	22	36	41	54	2 1/8	260	320	1000	1400	198.3	357.0	7620	7620	7620	7620	7480	6090	4820		M20-M64	
RC6-550-7-560	558.8	22	42	45	63	2 1/2	300	320	1050	1100	274.6	302.6	10930	10930	10930	10930	10910	8960	7110		M30-M64	
RC6-550-3-600	558.8	22	20	20	30	1 3/16	150	270	900	1750	87.6	308.6	2800	2800	2800	2800	2800	2800	2570	2030		M12-M24
RC6-550-4-600	558.8	22	24	25	36	1 7/16	220	310	900	1750	129.4	406.2	3660	3660	3660	3660	3660	3660	3660	3160		M12-M36
RC6-550-5-600	558.8	22	30	29	45	1 3/4	230	320	950	1450	166.4	363.1	5920	5920	5920	5920	5920	5920	5790	4590		M12-M36
RC6-550-6-600	558.8	22	36	41	54	2 1/8	310	310	1050	1050	277.7	277.7	7620	7620	7620	7620	7620	7620	7380		M20-M64	
RC6-600-3-400	609.6	24	20	20	30	1 3/16	180	180	950	1700	94.5	176.2	2300	2240							M12-M24	
RC6-600-4-400	609.6	24	24	25	36	1 7/16	220	220	1000	1700	144.7	252.3	3660	3660							M12-M36	
RC6-600-5-400	609.6	24	30	29	45	1 3/4	260	260	1100	1700	216.5	302.3	4660	4660							M12-M36	
RC6-600-6-400	609.6	24	36	41	54	2 1/8	260	320	1100	1700	219.3	425.7	7600	7530							M20-M64	
RC6-600-7-400	609.6	24	42	45	63	2 1/2	290	310	1150	1350	292.5	351.0	10810	10720							M30-M64	
RC6-600-3-490	609.6	24	20	20	30	1 3/16	160	170	900	1700	64.6	165.9	2230	2230	2090	1750	1210	840	610		M12-M24	
RC6-600-4-490	609.6	24	24	25	36	1 7/16	180	190	1000	1700	99.1	217.4	3400	3400	3310	2900	2290	1650	1180		M12-M36	
RC6-600-5-490	609.6	24	30	29	45	1 3/4	180	260	1000	1700	120.1	299.9	4800	4800	4670	4090	3240	2450	1710		M12-M36	
RC6-600-6-490	609.6	24	36	41	54	2 1/8	220	310	1100	1700	185.0	411.0	7570	7570	7420	6620	5440	4180	2900		M20-M64	
RC6-600-7-490	609.6	24	42	45	63	2 1/2	250	320	1150	1400	249.9	368.6	10930	10930	10740	9570	7870	6080	4300		M30-M64	
RC6-600-3-530	609.6	24	20	20	30	1 3/16	150	190	950	1700	78.4	185.3	2520	2520	2430	2080	1590	1170	830		M12-M24	
RC6-600-4-530	609.6	24	24	25	36	1 7/16	190	210	950	1700	100.0	240.0	3660	3660	3660	3660	3230	2430	1750	1250		M12-M36
RC6-600-5-530	609.6	24	30	29	45	1 3/4	180	230	1000	1700	120.1	302.4	5450	5450	5350	4600	3500	2590	1820		M12-M36	
RC6-600-6-530	609.6	24	36	41	54	2 1/8	240	310	1100	1600	201.4	391.5	7620	7620	7620	7620	7330	6020	4580	3190		M20-M64
RC6-600-7-530	609.6	24	42	45	63	2 1/2	280	310	1150	1250	279.2	328.0	10930	10930	10930	10910	8970	6930	4900		M30-M64	
RC6-600-3-560	609.6	24	20	20	30	1 3/16	160	230	950	1700	83.2	224.1	2520	2520	2520	2520	2070	1670	1330		M12-M24	
RC6-600-4-560	609.6	24	24	25	36	1 7/16	180	250	1000	1700	118.0	285.4	3660	3660	3660	3660	3230	2640	2090		M12-M36	
RC6-600-5-560	609.6	24	30	29	45	1 3/4	220	260	1000	1700	146.2	341.6	6090	6090	6090	5510	4610	3730	2960		M12-M36	
RC6-600-6-560	609.6	24	36	41	54	2 1/8	260	310	1050	1450	209.5	361.2	7620	7620	7620	7620	7390	6050	4790		M20-M64	
RC6-600-7-560	609.6	24	42	45	63	2 1/2	320	320	1150	1150	318.3	318.3	10930	10930	10930	10930	10840	8920	7100		M30-M64	
RC6-600-3-600	609.6	24	20	20	30	1 3/16	160	250	950	1700	99.3	282.7	2530	2530	2530	2530	2530	2530	2530	2050		M12-M24
RC6-600-4-600	609.6	24	24	25	36	1 7/16	240	280	950	1700	149.9	363.1	3660	3660	3660	3660	3660	3660	3660	3220		M12-M36
RC6-600-5-600	609.6	24	30	29	45	1 3/4	250	320	1050	1500	198.3	379.6	5840	5840	5840	5840	5840	5840	5840	4590		M12-M36
RC6-600-6-600	609.6	24	36	41	54	2 1/8	310	310	1100	1100	292.9	292.2	7620	7620	7620	7620	7620	7620	7620	7360		M20-M64

RC6 PRESSED RISER CLAMP SIX BOLT TYPE

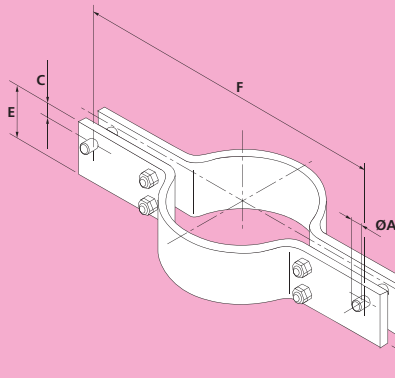


Material: Carbon Steel to 400°C Alloy Steel above 400°C

Order by Part No. and Rod Centres "F"

Part Number	Pipe O/D		A		B		C		E		F		Weight kgf		Load Capacity (kgf) at Temperature C						Compatible with Rod Sizes	
	mm	in	mm	mm	mm	in	Min.	Max.	Min.	Max.	Min.	Max.	350	400	490	530	560	580	600			
RC6-750-4-400	762.0	30	24	25	36	1 7/16	220	220	1200	1600	174.2	215.7	3660	3650							M12-M36	
RC6-750-5-400	762.0	30	30	29	45	1 3/4	260	260	1250	1600	249.8	299.9	6020	5920							M12-M36	
RC6-750-6-400	762.0	30	36	41	54	2 1/8	290	290	1300	1600	330.3	385.0	7620	7620							M20-M64	
RC6-750-4-490	762.0	30	24	25	36	1 7/16	200	190	1150	1600	128.3	185.7	3290	3290	3170	2720	2040	1470	1050		M12-M36	
RC6-750-5-490	762.0	30	30	29	45	1 3/4	200	210	1150	1600	155.2	240.7	4900	4900	4770	4120	3120	2310	1630		M12-M36	
RC6-750-6-490	762.0	30	36	41	54	2 1/8	220	250	1250	1600	213.0	329.5	7530	7530	7320	6400	5050	3830	2670		M20-M64	
RC6-750-7-490	762.0	30	42	45	63	2 1/2	260	320	1300	1500	299.0	406.5	10930	10930	10810	9620	7890	6090	4290		M30-M64	
RC6-750-4-530	762.0	30	24	25	36	1 7/16	180	220	1150	1600	137.8	214.7	3660	3660	3660	3190	2420	1790	1260		M12-M36	
RC6-750-5-530	762.0	30	30	29	45	1 3/4	220	230	1150	1600	170.5	263.4	5420	5420	5270	4560	3460	2560	1800		M12-M36	
RC6-750-6-530	762.0	30	36	41	54	2 1/8	250	280	1250	1600	241.5	368.5	7620	7620	7620	7350	5810	4400	3060		M20-M64	
RC6-750-7-530	762.0	30	42	45	63	2 1/2	290	320	1300	1400	332.6	386.4	10930	10930	10930	10720	8790	6780	4780		M30-M64	
RC6-750-4-560	762.0	30	24	25	36	1 7/16	200	210	1150	1650	152.9	243.8	3660	3660	3660	3660	3280	2660	2110		M12-M36	
RC6-750-5-560	762.0	30	30	29	45	1 3/4	200	280	1200	1600	185.4	320.2	5840	5840	5840	5710	4660	3800	3010		M12-M36	
RC6-750-6-560	762.0	30	36	41	54	2 1/8	230	320	1250	1600	252.9	420.5	7620	7620	7620	7620	7370	6060	4820		M20-M64	
RC6-750-4-600	762.0	30	24	25	36	1 7/16	220	230	1150	1650	194.1	303.1	3660	3660	3660	3660	3660	3660	3200		M12-M36	
RC6-750-5-600	762.0	30	30	29	45	1 3/4	230	310	1200	1600	242.0	403.3	6090	6090	6090	6090	6090	5860	4650		M12-M36	
RC6-800-4-400	812.8	32	24	25	36	1 7/16	260	260	1250	1600	250.7	300.7	3660	3660							M12-M36	
RC6-800-5-400	812.8	32	30	29	45	1 3/4	260	260	1300	1600	261.1	304.0	6090	6090							M12-M36	
RC6-800-6-400	812.8	32	36	41	54	2 1/8	290	290	1350	1600	344.5	390.1	7620	7620							M20-M64	
RC6-800-4-490	812.8	32	24	25	36	1 7/16	180	190	1200	1600	144.5	188.3	3400	3400	3290	2830	2170	1610	1130		M12-M36	
RC6-800-5-490	812.8	32	30	29	45	1 3/4	210	220	1250	1600	175.5	256.6	4910	4910	4750	4090	3130	2330	1640		M12-M36	
RC6-800-6-490	812.8	32	36	41	54	2 1/8	240	240	1300	1600	242.4	320.8	7560	7560	7430	6620	5280	4020	2790		M20-M64	
RC6-800-7-490	812.8	32	42	45	63	2 1/2	270	320	1350	1550	323.6	422.4	10880	10880	10690	9560	7900	6130	4350		M30-M64	
RC6-800-4-530	812.8	32	24	25	36	1 7/16	180	210	1200	1600	144.5	207.9	3660	3660	3660	3160	2420	1800	1270		M12-M36	
RC6-800-5-530	812.8	32	30	29	45	1 3/4	240	220	1250	1600	200.2	256.6	5350	5350	5210	4570	3610	2690	1890		M12-M36	
RC6-800-6-530	812.8	32	36	41	54	2 1/8	270	270	1300	1600	272.2	360.3	7620	7620	7620	7620	7520	5990	4560		M12-M36	
RC6-800-7-530	812.8	32	42	45	63	2 1/2	290	310	1350	1400	347.0	380.2	10930	10930	10930	10760	8890	6900	4900		M30-M64	
RC6-800-4-560	812.8	32	24	25	36	1 7/16	210	190	1200	1600	168.3	218.6	3660	3660	3660	3660	3660	3220	2630	2080		M12-M36
RC6-800-5-560	812.8	32	30	29	45	1 3/4	210	270	1250	1600	203.7	313.1	5720	5720	5720	5680	4660	3810	3010		M12-M36	
RC6-800-6-560	812.8	32	36	41	54	2 1/8	240	310	1300	1600	275.5	413.0	7620	7620	7620	7620	7420	6110	4870		M20-M64	
RC6-800-4-600	812.8	32	24	25	36	1 7/16	230	280	1200	1600	212.9	320.5	3660	3660	3660	3660	3660	3660	3190		M12-M36	
RC6-800-5-600	812.8	32	30	29	45	1 3/4	230	300	1250	1600	253.3	395.6	6090	6090	6090	6090	6090	5720	4560		M12-M36	

RC6 PRESSED RISER CLAMP SIX BOLT TYPE

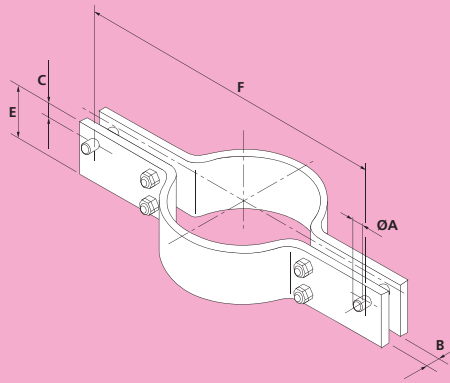


Material: Carbon Steel to 400°C Alloy Steel above 400°C

Order by Part No. and Rod Centres "F"

Part Number	Pipe O/D		A	B	C		E		F		Weight kgf		Load Capacity (kgf) at Temperature C							Compatible with Rod Sizes						
	mm	in			mm	in	Min.	Max.	Min.	Max.	Min.	Max.	350	400	490	530	560	580	600							
RC6-850-4-400	863.6	34	24	25	36	1 7/16	260	260	1350	1550	269.0	297.6	3660	3660											M12-M36	
RC6-850-5-400	863.6	34	30	29	45	1 3/4	260	260	1350	1550	272.1	300.7	6090	6090											M12-M36	
RC6-850-6-400	863.6	34	36	41	54	2 1/8	290	290	1400	1550	358.5	385.9	7620	7620											M20-M64	
RC6-850-4-490	863.6	34	24	25	36	1 7/16	180	180	1250	1550	151.2	176.6	3490	3490	3370	2890	2200	1630	1150						M12-M36	
RC6-850-5-490	863.6	34	30	29	45	1 3/4	220	240	1300	1550	191.8	237.4	4790	4790	4620	3960	3020	2240	1570						M12-M36	
RC6-850-6-490	863.6	34	36	41	54	2 1/8	250	280	1350	1550	263.1	324.9	7580	7580	7370	6450	5110	3880	2700						M20-M64	
RC6-850-7-490	863.6	34	42	45	63	2 1/2	280	310	1400	1550	348.9	414.7	10900	10900	10700	9530	7840	6060	4280						M30-M64	
RC6-850-4-530	863.6	34	24	25	36	1 7/16	180	200	1250	1550	151.2	196.0	3660	3660	3660	3220	2450	1820	1280						M12-M36	
RC6-850-5-530	863.6	34	30	29	45	1 3/4	220	220	1300	1550	223.6	253.8	5820	5820	5670	4960	3930	2980	2070						M12-M36	
RC6-850-6-530	863.6	34	36	41	54	2 1/8	280	260	1350	1550	294.1	344.9	7620	7620	7620	7330	5800	4400	3060						M20-M64	
RC6-850-7-530	863.6	34	42	45	63	2 1/2	310	320	1400	1450	385.5	407.8	10930	10930	10930	10870	8940	6910	4880						M20-M64	
RC6-850-4-560	863.6	34	24	25	36	1 7/16	220	240	1250	1550	184.3	234.8	3660	3660	3660	3660	3200	2590	2050						M12-M36	
RC6-850-5-560	863.6	34	30	29	45	1 3/4	220	250	1300	1550	222.6	286.9	5620	5620	5620	5610	4580	3740	2960						M12-M36	
RC6-850-6-560	863.6	34	36	41	54	2 1/8	260	290	1350	1550	310.7	382.4	7620	7620	7620	7620	7500	6170	4910						M20-M64	
RC6-850-4-600	863.6	34	24	25	36	1 7/16	240	260	1250	1550	232.4	294.6	3660	3660	3660	3660	3660	3660	3180						M12-M36	
RC6-850-5-600	863.6	34	30	29	45	1 3/4	250	280	1300	1550	287.3	365.5	6090	6090	6090	6090	6090	6090	5850	4660						M12-M36
RC6-900-4-400	914.4	36	24	25	36	1 7/16	260	260	1400	1550	280.3	301.7	3660	3660											M12-M36	
RC6-900-5-400	914.4	36	30	29	45	1 3/4	260	260	1400	1550	283.4	304.9	6090	6090											M12-M36	
RC6-900-6-400	914.4	36	36	41	54	2 1/8	290	290	1450	1500	372.9	382.0	7620	7620											M20-M64	
RC6-900-4-490	914.4	36	24	25	36	1 7/16	180	180	1300	1550	157.9	179.1	3630	3630	3510	3030	2330	1740	1220						M12-M36	
RC6-900-5-490	914.4	36	30	29	45	1 3/4	230	230	1350	1500	209.0	225.3	4800	4800	4640	4000	3080	2290	1610						M12-M36	
RC6-900-6-490	914.4	36	36	41	54	2 1/8	260	270	1400	1500	284.6	310.2	7490	7490	7300	6420	5130	3910	2720						M20-M64	
RC6-900-7-490	914.4	36	42	45	63	2 1/2	290	290	1450	1500	375.5	384.6	10890	10890	10710	9590	7950	6170	4390						M30-M64	
RC6-900-4-530	914.4	36	24	25	36	1 7/16	190	190	1300	1550	166.5	188.9	3660	3660	3660	3220	2470	1840	1290						M12-M36	
RC6-900-5-530	914.4	36	30	29	45	1 3/4	220	220	1400	1500	239.2	257.3	6060	6060	5910	5190	4150	3160	2200						M12-M36	
RC6-900-6-530	914.4	36	36	41	54	2 1/8	260	260	1450	1500	333.3	341.4	7620	7620	7620	7620	7020	5450	3880						M20-M64	
RC6-900-4-560	914.4	36	24	25	36	1 7/16	230	230	1300	1550	201.2	228.3	3660	3660	3660	3660	3220	2610	2070						M12-M36	
RC6-900-5-560	914.4	36	30	29	45	1 3/4	230	240	1350	1550	242.6	279.4	5530	5530	5530	5530	4590	3780	2970						M12-M36	
RC6-900-6-560	914.4	36	36	41	54	2 1/8	270	270	1400	1500	335.8	352.8	7620	7620	7620	7620	7500	6180	4930						M20-M64	
RC6-900-4-600	914.4	36	24	25	36	1 7/16	250	250	1300	1550	252.9	287.3	3660	3660	3660	3660	3660	3660	3210						M12-M36	
RC6-900-5-600	914.4	36	30	29	45	1 3/4	260	260	1400	1550	319.8	344.3	6090	6090	6090	6090	6090	6090	5770	4610						M12-M36

RC6 PRESSED RISER CLAMP SIX BOLT TYPE



Material: Carbon Steel to 400°C Alloy Steel above 400°C

Order by Part No. and Rod Centres "F"

Part Number	Pipe O/D		A		B		C		E		F		Weight kgf		Load Capacity (kgf) at Temperature C						Compatible with Rod Sizes	
	mm	in	mm	mm	mm	in	Min.	Max.	Min.	Max.	Min.	Max.	350	400	490	530	560	580	600			
RC6-950-4-400	965.2	38	24	25	36	1 7/16	260	260	1450	1500	291.4	298.6	3660	3660							M12-M36	
RC6-950-5-400	965.2	38	30	29	45	1 3/4	290	290	1500	1500	383.9	383.9	6090	6090							M12-M36	
RC6-950-6-400	965.2	38	36	41	54	2 1/8	290	290	1500	1500	387.2	387.2	7620	7620							M20-M64	
RC6-950-4-490	965.2	38	24	25	36	1 7/16	180	180	1350	1500	164.6	177.3	3470	3470	3360	2910	2260	1700	1190		M12-M36	
RC6-950-5-490	965.2	38	30	29	45	1 3/4	240	240	1400	1500	226.9	238.3	4760	4760	4610	4000	3110	2330	1630		M12-M36	
RC6-950-6-490	965.2	38	36	41	54	2 1/8	280	280	1450	1500	318.3	326.0	7620	7620	7490	6620	5350	4100	2850		M20-M64	
RC6-950-7-490	965.2	38	42	45	63	2 1/2	310	310	1500	1500	416.1	416.1	10930	10930	10910	9810	8220	6410	4610		M30-M64	
RC6-950-4-530	965.2	38	24	25	36	1 7/16	200	200	1350	1500	182.6	196.8	3660	3660	3660	3270	2540	1910	1330		M12-M36	
RC6-950-5-530	965.2	38	30	29	45	1 3/4	220	220	1450	1500	248.8	254.8	5800	5800	5670	5010	4050	3100	2160		M12-M36	
RC6-950-6-530	965.2	38	36	41	54	2 1/8	260	260	1500	1500	346.0	346.0	7620	7620	7620	7620	6760	5270	3790		M20-M64	
RC6-950-4-560	965.2	38	24	25	36	1 7/16	240	240	1350	1500	218.8	235.7	3660	3660	3660	3660	3250	2640	2090		M12-M36	
RC6-950-5-560	965.2	38	30	29	45	1 3/4	240	240	1400	1500	263.4	276.6	5440	5440	5440	5440	4610	3780	2980		M12-M36	
RC6-950-6-560	965.2	38	36	41	54	2 1/8	280	280	1500	1500	370.6	370.6	7620	7620	7620	7620	7480	6180	4950		M20-M64	
RC6-950-4-600	965.2	38	24	25	36	1 7/16	260	260	1400	1500	282.0	296.3	3660	3660	3660	3660	3660	3660	3660	3230		M12-M36
RC6-950-5-600	965.2	38	30	29	45	1 3/4	270	270	1450	1500	345.3	353.3	6090	6090	6090	6090	6090	5840	4680		M12-M36	
RC6-1000-4-400	1016.0	40	24	25	36	1 7/16	260	260	1500	1500	302.6	302.6	3660	3660							M12-M36	
RC6-1000-4-490	1016.0	40	24	25	36	1 7/16	180	180	1400	1500	171.2	179.7	3300	3300	3190	2760	2130	1590	1110		M12-M36	
RC6-1000-4-530	1016.0	40	24	25	36	1 7/16	210	210	1400	1500	199.4	209.3	3660	3660	3660	3660	3260	2510	1880	1320		M12-M36
RC6-1000-4-560	1016.0	40	24	25	36	1 7/16	190	190	1450	1500	214.7	220.0	3660	3660	3660	3660	3350	2740	2160		M12-M36	
RC6-1000-5-560	1016.0	40	30	29	45	1 3/4	260	260	1450	1450	296.3	296.3	5590	5590	5590	5590	4740	3880	3060		M12-M36	
RC6-1000-4-600	1016.0	40	24	25	36	1 7/16	270	270	1450	1500	304.3	311.7	3660	3660	3660	3660	3660	3660	3660	3170		M12-M36
RC6-1000-5-600	1016.0	40	30	29	45	1 3/4	280	280	1500	1500	371.7	371.7	6030	6030	6030	6030	6030	6030	5720	4570		M12-M36