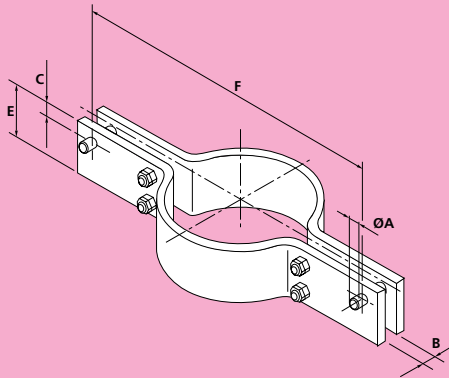


RC6 PRESSED RISER CLAMP SIX BOLT TYPE

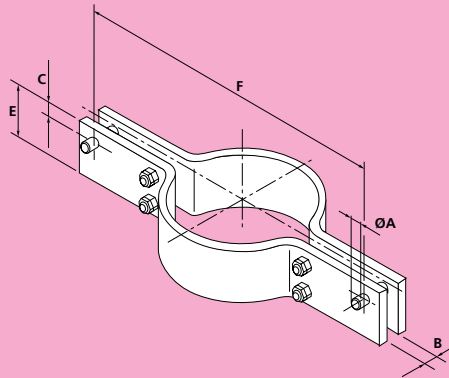


Material: Carbon Steel to 752°F Alloy Steel above 752°F

Order by Part No. and Rod Centres "F"

Part Number	Pipe O/D		A		B		C		E		F		Weight lbs		Load Capacity (lbf) at Temperature F						Compatible with Rod Sizes		
	mm	in	in	in	mm	in	mm	in	Min.	Max.	Min.	Max.	Min.	Max.	662	752	914	986	1040	1076		1112	
RC6-150-0-400	168.3	6.63	0.48	0.6	18	11/16	3.15	3.55	13.78	47.25	13.2	81.79	1190	1102									3/8 - 5/8
RC6-150-1-400	168.3	6.63	0.63	0.67	24	15/16	3.15	5.12	15.75	47.25	17.9	119.27	1785	1653									3/8 - 5/8
RC6-150-2-400	168.3	6.63	0.63	0.67	24	15/16	3.94	4.73	15.75	47.25	28	137.57	2535	2425									3/8 - 5/8
RC6-150-3-400	168.3	6.63	0.79	0.79	30	1 3/16	3.94	5.91	17.72	47.25	41.2	207.45	4695	4519									1/2 - 1
RC6-150-4-400	168.3	6.63	0.95	0.99	36	1 7/16	5.91	9.06	17.72	47.25	63.1	321.21	7561	7297									1/2 - 1 1/2
RC6-150-0-490	168.3	6.63	0.48	0.6	18	11/16	3.15	3.55	13.78	47.25	13.2	81.79	1212	1212	1124	903	617	418	308				3/8 - 5/8
RC6-150-1-490	168.3	6.63	0.63	0.67	24	15/16	3.15	5.12	15.75	47.25	17.9	119.27	1829	1829	1653	1234	793	551	418				3/8 - 5/8
RC6-150-2-490	168.3	6.63	0.63	0.67	24	15/16	3.15	4.73	15.75	47.25	22.3	137.13	2601	2601	2447	1962	1278	903	661				3/8 - 5/8
RC6-150-3-490	168.3	6.63	0.79	0.79	30	1 3/16	3.94	5.91	17.72	47.25	41.2	207.45	4828	4828	4607	3836	2579	1785	1278				1/2 - 1
RC6-150-4-490	168.3	6.63	0.95	0.99	36	1 7/16	5.91	8.67	17.72	47.25	63.1	306.88	7429	7429	7054	5974	4012	2799	1984				1/2 - 1 1/2
RC6-150-0-530	168.3	6.63	0.48	0.6	18	11/16	3.15	3.94	13.78	47.25	13.2	90.83	1366	1366	1256	1014	639	462	330				3/8 - 5/8
RC6-150-1-530	168.3	6.63	0.63	0.67	24	15/16	3.15	5.91	15.75	47.25	22.3	137.57	2138	2138	1962	1587	1058	749	529				3/8 - 5/8
RC6-150-2-530	168.3	6.63	0.63	0.67	24	15/16	3.94	5.52	15.75	47.25	27.6	160.06	3108	3108	2888	2425	1631	1146	837				3/8 - 5/8
RC6-150-3-530	168.3	6.63	0.79	0.79	30	1 3/16	4.73	6.7	17.72	47.25	48.9	234.79	5555	5555	5291	4475	3152	2204	1565				1/2 - 1
RC6-150-4-530	168.3	6.63	0.95	0.99	36	1 7/16	4.73	7.49	17.72	47.25	62.6	308.65	8068	8068	8068	7142	5224	3659	2645				1/2 - 1 1/2
RC6-150-0-560	168.3	6.63	0.48	0.6	18	11/16	3.15	5.12	13.78	47.25	15.7	117.95	1719	1719	1697	1388	1036	815	639				3/8 - 5/8
RC6-150-1-560	168.3	6.63	0.63	0.67	24	15/16	3.55	5.12	15.75	47.25	24.9	148.59	2866	2866	2689	2270	1697	1344	1058				3/8 - 5/8
RC6-150-2-560	168.3	6.63	0.63	0.67	24	15/16	3.15	7.09	15.75	47.25	29.3	205.47	3527	3527	3527	3240	2447	1940	1543				3/8 - 5/8
RC6-150-3-560	168.3	6.63	0.79	0.79	30	1 3/16	5.91	8.67	17.72	47.25	61.1	303.36	5798	5798	5798	5798	4541	3593	2843				1/2 - 1
RC6-150-4-560	168.3	6.63	0.95	0.99	36	1 7/16	5.91	9.06	17.72	47.25	78	373.24	8068	8068	8068	8068	7120	5776	4585				1/2 - 1 1/2
RC6-150-0-600	168.3	6.63	0.48	0.6	18	11/16	3.55	5.12	15.75	47.25	24.3	146.83	1719	1719	1719	1719	1697	1344	1058				3/8 - 5/8
RC6-150-1-600	168.3	6.63	0.63	0.67	24	15/16	3.15	7.49	15.75	47.25	29.3	216.93	3527	3527	3527	3439	2601	2050	1631				3/8 - 5/8
RC6-150-2-600	168.3	6.63	0.63	0.67	24	15/16	4.34	7.09	15.75	47.25	39.9	245.82	3527	3527	3527	3527	2998	2380	1838				3/8 - 5/8
RC6-150-3-600	168.3	6.63	0.79	0.79	30	1 3/16	5.91	9.06	17.72	47.25	75.6	369.49	5798	5798	5798	5798	5798	5798	5798	5732	4541		1/2 - 1
RC6-150-4-600	168.3	6.63	0.95	0.99	36	1 7/16	7.09	10.24	19.69	47.25	120.4	481.05	8068	8068	8068	8068	8068	8068	8068	8068	7275		1/2 - 1 1/2

RC6 PRESSED RISER CLAMP SIX BOLT TYPE

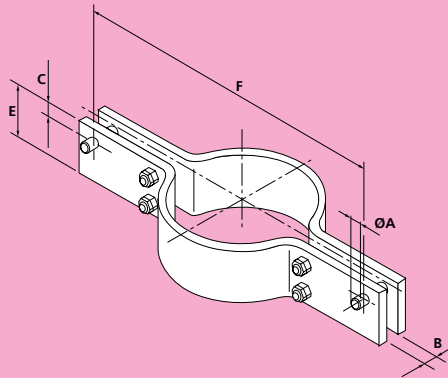


Material: Carbon Steel to 752°F Alloy Steel above 752°F.

Order by Part No. and Rod Centres "F"

Part Number	Pipe O/D		A		B		C		E		F		Weight lbs		Load Capacity (lbf) at Temperature F							Compatible with Rod Sizes
	mm	in	in	in	mm	in	Min.	Max.	Min.	Max.	Min.	Max.	662	752	914	986	1040	1076	1112			
RC6-175-0-400	193.7	7.63	0.48	0.6	18	11/16	3.15	3.55	15.75	47.25	15	82.5	1190	1124								3/8 - 5/8
RC6-175-1-400	193.7	7.63	0.63	0.67	24	15/16	3.15	5.12	15.75	47.25	18.5	120.4	1807	1697								3/8 - 5/8
RC6-175-2-400	193.7	7.63	0.63	0.67	24	15/16	3.94	4.73	17.72	47.25	31.3	138.7	2557	2447								3/8 - 5/8
RC6-175-3-400	193.7	7.63	0.79	0.79	30	1 3/16	4.73	5.91	19.69	47.25	55.1	209.9	4717	4563								1/2 - 1
RC6-175-4-400	193.7	7.63	0.95	0.99	36	1 7/16	6.3	8.67	19.69	47.25	74.5	310	7231	6988								1/2 - 1 1/2
RC6-175-5-400	193.7	7.63	1.19	1.15	45	1 3/4	6.7	9.06	21.66	47.25	109.1	383.6	10405	10163								1/2 - 1 1/2
RC6-175-0-490	193.7	7.63	0.48	0.6	18	11/16	3.15	3.55	15.75	47.25	15	82.5	1234	1234	1124	925	573	418	308			3/8 - 5/8
RC6-175-1-490	193.7	7.63	0.63	0.67	24	15/16	3.15	5.12	15.75	47.25	18.5	120.4	1851	1851	1697	1344	859	617	440			3/8 - 5/8
RC6-175-2-490	193.7	7.63	0.63	0.67	24	15/16	3.15	4.73	15.75	47.25	22.7	138.5	2645	2645	2469	2072	1366	970	705			3/8 - 5/8
RC6-175-3-490	193.7	7.63	0.79	0.79	30	1 3/16	3.94	5.91	17.72	47.25	42.1	209.4	4872	4872	4651	3946	2777	1940	1388			1/2 - 1
RC6-175-4-490	193.7	7.63	0.95	0.99	36	1 7/16	6.3	8.67	19.69	47.25	74.1	309.5	7451	7451	7120	5930	3990	2777	1984			1/2 - 1 1/2
RC6-175-5-490	193.7	7.63	1.19	1.15	45	1 3/4	5.91	9.06	19.69	47.25	89.5	383.2	10736	10736	10361	8906	6217	4365	3152			1/2 - 1 1/2
RC6-175-0-530	193.7	7.63	0.48	0.6	18	11/16	3.15	3.94	15.75	47.25	17.9	91.7	1388	1388	1278	1036	705	485	352			3/8 - 5/8
RC6-175-1-530	193.7	7.63	0.63	0.67	24	15/16	3.15	5.91	15.75	47.25	22.7	138.9	2160	2160	1984	1631	1102	771	551			3/8 - 5/8
RC6-175-2-530	193.7	7.63	0.63	0.67	24	15/16	3.55	5.52	15.75	47.25	25.6	161.4	3130	3130	2932	2403	1565	1102	793			3/8 - 5/8
RC6-175-3-530	193.7	7.63	0.79	0.79	30	1 3/16	4.34	6.7	17.72	47.25	46.3	237.2	5599	5599	5335	4519	3086	2160	1543			1/2 - 1
RC6-175-4-530	193.7	7.63	0.95	0.99	36	1 7/16	5.12	7.49	19.69	47.25	74.7	311.5	8068	8068	8068	7187	5291	3725	2689			1/2 - 1 1/2
RC6-175-5-530	193.7	7.63	1.19	1.15	45	1 3/4	6.7	10.24	19.69	47.25	101.2	432.8	12257	12257	11838	10207	7142	5004	3615			1/2 - 1 1/2
RC6-175-0-560	193.7	7.63	0.48	0.6	18	11/16	3.15	5.12	15.75	47.25	17.9	119	1719	1719	1719	1388	1014	815	639			3/8 - 5/8
RC6-175-1-560	193.7	7.63	0.63	0.67	24	1 5/16	3.15	4.73	15.75	47.25	22.7	138.5	2645	2645	2491	2094	1587	1256	992			3/8 - 5/8
RC6-175-2-560	193.7	7.63	0.63	0.67	24	1 5/16	4.73	6.7	15.75	47.25	34	195.8	3527	3527	3527	3086	2336	1851	1477			3/8 - 5/8
RC6-175-3-560	193.7	7.63	0.79	0.79	30	1 3/16	5.52	8.27	17.72	47.25	58.2	292.6	5798	5798	5776	4497	3593	2866				1/2 - 1
RC6-175-4-560	193.7	7.63	0.95	0.99	36	1 7/16	6.3	9.06	19.69	47.25	91.7	376.5	8068	8068	8068	7187	5820	4629				1/2 - 1 1/2
RC6-175-5-560	193.7	7.63	1.19	1.15	45	1 3/4	5.91	9.45	19.69	47.25	106.5	455.7	13360	13360	13360	12698	10119	8135	6459			1/2 - 1 1/2
RC6-175-0-600	193.7	7.63	0.48	0.6	18	11/16	3.55	5.12	15.75	47.25	24.7	148.4	1719	1719	1719	1388	1102	815	639			3/8 - 5/8
RC6-175-1-600	193.7	7.63	0.63	0.67	24	1 5/16	3.55	7.49	17.72	47.25	36.8	218.9	3527	3527	3527	3483	2645	2094	1675			3/8 - 5/8
RC6-175-2-600	193.7	7.63	0.63	0.67	24	15/16	4.73	7.09	17.72	47.25	48.7	248.2	3527	3527	3527	3527	3042	2403				3/8 - 5/8
RC6-175-3-600	193.7	7.63	0.79	0.79	30	1 3/16	5.52	9.06	17.72	47.25	72.1	372.8	5798	5798	5798	5798	5798	5798	5798			1/2 - 1
RC6-175-4-600	193.7	7.63	0.95	0.99	36	1 7/16	6.7	9.85	19.69	47.25	115.7	466.7	8068	8068	8068	8068	8068	8068	8068			1/2 - 1 1/2
RC6-175-5-600	193.7	7.63	1.19	1.15	45	1 3/4	9.06	12.6	19.69	43.31	161.8	562.4	13426	13426	13426	13426	13426	12919	10207			1/2 - 1 1/2

RC6 PRESSED RISER CLAMP SIX BOLT TYPE

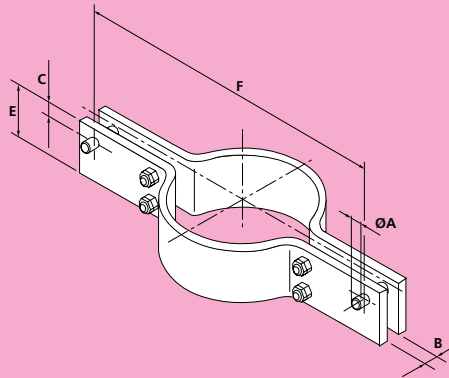


Material: Carbon Steel to 752°F Alloy Steel above 752°F

Order by Part No. and Rod Centres "F"

Part Number	Pipe O/D		A		B		C		E		F		Weight lbs		Load Capacity (lbF) at Temperature F							Compatible with Rod Sizes		
	mm	in	in	in	mm	in	mm	in	Min.	Max.	Min.	Max.	Min.	Max.	662	752	914	986	1040	1076	1112			
RC6-200-0-400	219.1	8.63	0.48	0.6	18	11/16	3.15	4.34	15.75	59.06	15.4	124.6	1168	1102										3/8 - 5/8
RC6-200-1-400	219.1	8.63	0.63	0.67	24	15/16	3.55	6.3	17.72	59.06	23.1	183	1741	1653										3/8 - 5/8
RC6-200-2-400	219.1	8.63	0.63	0.67	24	15/16	3.94	5.91	17.72	59.06	32	213.8	2535	2425										3/8 - 5/8
RC6-200-3-400	219.1	8.63	0.79	0.79	30	1 3/16	4.73	7.49	19.69	59.06	56.2	327.2	4761	4585										1/2 - 1
RC6-200-4-400	219.1	8.63	0.95	0.99	36	1 7/16	5.91	8.27	19.69	59.06	71.4	424.8	7253	7098										1/2 - 1 1/2
RC6-200-5-400	219.1	8.63	1.19	1.15	45	1 3/4	6.3	9.06	21.66	59.06	105.4	537.3	10516	10405										1/2 - 1 1/2
RC6-200-6-400	219.1	8.63	1.42	1.62	54	2 1/8	7.88	12.6	23.63	55.12	170.2	709.9	16578	16380										3/4 - 2 1/2
RC6-200-0-490	219.1	8.63	0.48	0.6	18	11/16	3.15	4.34	15.75	59.06	15.4	124.6	1190	1102	903	617	418	308						3/8 - 5/8
RC6-200-1-490	219.1	8.63	0.63	0.67	24	15/16	3.55	6.3	17.72	59.06	23.1	182.8	1807	1807	1653	1366	881	617	462					3/8 - 5/8
RC6-200-2-490	219.1	8.63	0.63	0.67	24	15/16	3.15	5.91	17.72	59.06	25.4	213.6	2623	2623	2425	1895	1234	881	639					3/8 - 5/8
RC6-200-3-490	219.1	8.63	0.79	0.79	30	1 3/16	3.94	7.49	19.69	59.06	46.5	326.7	4894	4894	4629	3791	2557	1785	1278					1/2 - 1
RC6-200-4-490	219.1	8.63	0.95	0.99	36	1 7/16	5.91	8.27	19.69	59.06	71	423.5	7473	7473	7231	5930	3990	2777	1984					1/2 - 1 1/2
RC6-200-5-490	219.1	8.63	1.19	1.15	45	1 3/4	6.3	8.67	21.66	59.06	104.1	512.8	10317	10317	10075	8840	6217	4387	3152					1/2 - 1 1/2
RC6-200-6-490	219.1	8.63	1.42	1.62	54	2 1/8	7.88	12.21	23.63	55.12	169.5	687	16512	16512	16093	14175	10604	7716	5467					3/4 - 2 1/2
RC6-200-0-530	219.1	8.63	0.48	0.6	18	11/16	3.15	5.12	17.72	59.06	20.1	147.3	1433	1433	1322	1080	727	507	374					3/8 - 5/8
RC6-200-1-530	219.1	8.63	0.63	0.67	24	15/16	3.15	4.73	17.72	59.06	25.4	171.1	2050	2050	1918	1609	1124	793	573					3/8 - 5/8
RC6-200-2-530	219.1	8.63	0.63	0.67	24	15/16	3.94	6.7	17.72	59.06	31.7	242.1	2998	2998	2821	2358	1587	1124	815					3/8 - 5/8
RC6-200-3-530	219.1	8.63	0.79	0.79	30	1 3/16	4.73	8.67	19.69	59.06	55.6	378.1	5732	5732	5489	4629	3130	2182	1565					1/2 - 1
RC6-200-4-530	219.1	8.63	0.95	0.99	36	1 7/16	5.12	9.45	21.66	59.06	81.8	483.7	8068	8068	8068	7010	4938	3483	2513					1/2 - 1 1/2
RC6-200-5-530	219.1	8.63	1.19	1.15	45	1 3/4	7.09	9.85	21.66	59.06	116.8	582.9	11882	11882	11596	10053	7076	4982	3593					1/2 - 1 1/2
RC6-200-6-530	219.1	8.63	1.42	1.62	54	2 1/8	9.06	12.21	23.63	49.22	194	622.6	16799	16799	16799	16181	12345	8972	6371					3/4 - 2 1/2
RC6-200-0-560	219.1	8.63	0.48	0.6	18	11/16	3.55	6.3	17.72	59.06	22.5	181.2	1719	1719	1675	1388	1036	815	639					3/8 - 5/8
RC6-200-1-560	219.1	8.63	0.63	0.67	24	15/16	3.55	5.91	17.72	59.06	28.4	213.6	2623	2623	2469	2094	1587	1256	1014					3/8 - 5/8
RC6-200-2-560	219.1	8.63	0.63	0.67	24	15/16	3.15	5.91	17.72	59.06	33.5	255.7	2888	2888	2888	2888	2403	1940	1543					3/8 - 5/8
RC6-200-3-560	219.1	8.63	0.79	0.79	30	1 3/16	5.91	7.49	19.69	59.06	69	380.3	5533	5533	5533	5533	4497	3549	2821					1/2 - 1
RC6-200-4-560	219.1	8.63	0.95	0.99	36	1 7/16	6.7	8.27	21.66	59.06	106.5	482.8	8068	8068	8068	6966	5709	4497	1/2 - 1 1/2					1/2 - 1 1/2
RC6-200-5-560	219.1	8.63	1.19	1.15	45	1 3/4	6.3	11.82	21.66	59.06	123.7	698.4	12081	12081	12081	12081	10097	8135	6459					1/2 - 1 1/2
RC6-200-6-560	219.1	8.63	1.42	1.62	54	2 1/8	7.88	12.6	23.63	43.31	196.4	575.8	16799	16799	16799	16799	16115	13073	10361					3/4 - 2 1/2
RC6-200-0-600	219.1	8.63	0.48	0.6	18	11/16	3.55	6.3	17.72	59.06	27.8	228.5	1719	1719	1719	1653	1300	1014						3/8 - 5/8
RC6-200-1-600	219.1	8.63	0.63	0.67	24	15/16	3.15	6.3	17.72	59.06	33.5	272.7	2888	2888	2888	2888	2601	2050	1631					3/8 - 5/8
RC6-200-2-600	219.1	8.63	0.63	0.67	24	15/16	4.34	8.67	17.72	59.06	45.9	374.8	3527	3527	3527	3527	2954	2336						3/8 - 5/8
RC6-200-3-600	219.1	8.63	0.79	0.79	30	1 3/16	5.91	8.27	19.69	59.06	85.8	479.3	5798	5798	5798	5798	5798	5798	5665					1/2 - 1
RC6-200-4-600	219.1	8.63	0.95	0.99	36	1 7/16	7.09	12.6	21.66	59.06	134.3	735	8068	8068	8068	8068	8068	8068	7142					1/2 - 1 1/2
RC6-200-5-600	219.1	8.63	1.19	1.15	45	1 3/4	9.45	12.6	21.66	43.31	184.3	567.2	13426	13426	13426	13426	13426	12676	10075					1/2 - 1 1/2
RC6-200-6-600	219.1	8.63	1.42	1.62	54	2 1/8	9.06	12.21	23.63	29.53	255.3	407	16799	16799	16799	16799	16799	16799	16446					3/4 - 2 1/2

RC6 PRESSED RISER CLAMP SIX BOLT TYPE

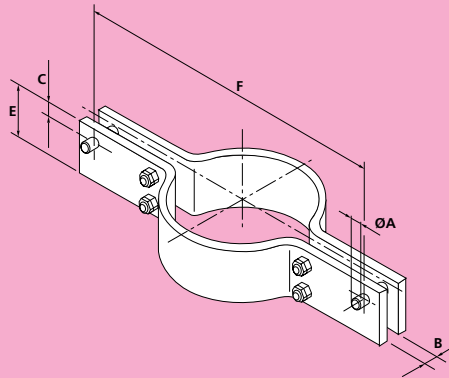


Material: Carbon Steel to 752°F Alloy Steel above 752°F

Order by Part No. and Rod Centres "F"

Part Number	Pipe O/D		A	B	C		E		F		Weight lbs		Load Capacity (lbf) at Temperature F							Compatible with Rod Sizes					
	mm	in			in	in	mm	in	Min.	Max.	Min.	Max.	Min.	Max.	662	752	914	986	1040		1076	1112			
RC6-250-0-400	273	10.75	0.48	0.6	18	11/16	3.15	3.94	17.72	59.06	17.6	115.3	1080	1014											3/8 - 5/8
RC6-250-1-400	273	10.75	0.63	0.67	24	15/16	3.94	5.91	19.69	59.06	36.2	174.6	1675	1587											3/8 - 5/8
RC6-250-2-400	273	10.75	0.63	0.67	24	15/16	3.94	5.91	19.69	59.06	36.2	217.6	2623	2491											3/8 - 5/8
RC6-250-3-400	273	10.75	0.79	0.79	30	1 3/16	4.73	7.49	21.66	59.06	62.6	332.5	4872	4695											1/2 - 1
RC6-250-4-400	273	10.75	0.95	0.99	36	1 7/16	5.91	8.27	23.63	59.06	105.4	431.4	7407	7231											1/2 - 1 1/2
RC6-250-5-400	273	10.75	1.19	1.15	45	1 3/4	7.09	8.67	25.6	59.06	137.8	521.8	10163	10053											1/2 - 1 1/2
RC6-250-6-400	273	10.75	1.42	1.62	54	2 1/8	8.67	12.6	27.56	55.12	217.4	722.2	16799	16380											3/4 - 2 1/2
RC6-250-7-400	273	10.75	1.66	1.78	63	2 1/2	9.45	12.6	27.56	41.34	281.5	578.1	24096	24096											1 1/4 - 2 1/2
RC6-250-0-490	273	10.75	0.48	0.6	18	11/16	3.15	3.94	17.72	59.06	17.6	115.3	1102	1102	1036	837	573	396	286						3/8 - 5/8
RC6-250-1-490	273	10.75	0.63	0.67	24	15/16	3.55	5.91	19.69	59.06	26	174.4	1741	1741	1609	1300	837	595	440						3/8 - 5/8
RC6-250-2-490	273	10.75	0.63	0.67	24	15/16	3.94	5.91	19.69	59.06	36.2	203	2491	2491	2336	1962	1388	970	705						3/8 - 5/8
RC6-250-3-490	273	10.75	0.79	0.79	30	1 3/16	3.94	7.09	21.66	59.06	52	314.6	4717	4717	4475	3659	2469	1719	1234						1/2 - 1
RC6-250-4-490	273	10.75	0.95	0.99	36	1 7/16	5.91	7.88	21.66	59.06	78.9	410.3	7231	7231	6988	5732	3880	2711	1940						1/2 - 1 1/2
RC6-250-5-490	273	10.75	1.19	1.15	45	1 3/4	6.3	11.03	23.63	59.06	115.3	580.9	10449	10449	10097	8598	6040	4276	3064						1/2 - 1 1/2
RC6-250-6-490	273	10.75	1.42	1.62	54	2 1/8	7.88	12.6	25.6	57.09	185.2	741.9	16600	16600	16181	14197	10494	7627	5423						3/4 - 2 1/2
RC6-250-7-490	273	10.75	1.66	1.78	63	2 1/2	9.06	12.21	27.56	41.34	268.3	558.2	24096	24096	23699	20525	15829	11816	8289						1 1/4 - 2 1/2
RC6-250-0-530	273	10.75	0.48	0.6	18	11/16	3.15	4.73	19.69	59.06	22.7	138.5	1366	1366	1256	1036	683	485	352						3/8 - 5/8
RC6-250-1-530	273	10.75	0.63	0.67	24	15/16	3.15	4.73	19.69	59.06	28.7	173.9	2116	2116	1984	1653	1168	815	595						3/8 - 5/8
RC6-250-2-530	273	10.75	0.63	0.67	24	15/16	3.94	6.7	19.69	59.06	35.7	246.5	2799	2799	2799	2336	1543	1080	771						3/8 - 5/8
RC6-250-3-530	273	10.75	0.79	0.79	30	1 3/16	4.73	8.27	21.66	59.06	62.2	366.8	5599	5599	5335	4497	3042	2116	1521						1/2 - 1
RC6-250-4-530	273	10.75	0.95	0.99	36	1 7/16	5.52	9.06	23.63	59.06	97.9	471.3	8068	8068	8068	7032	5224	3681	2645						1/2 - 1 1/2
RC6-250-5-530	273	10.75	1.19	1.15	45	1 3/4	7.49	9.85	23.63	59.06	136.2	591.5	12059	12059	11772	10361	7297	5158	3703						1/2 - 1 1/2
RC6-250-6-530	273	10.75	1.42	1.62	54	2 1/8	9.06	12.6	25.6	51.19	212.3	676.2	16799	16799	16799	16314	12213	8884	6305						3/4 - 2 1/2
RC6-250-7-530	273	10.75	1.66	1.78	63	2 1/2	10.63	12.21	27.56	37.41	313.7	515.2	24096	24096	24096	23920	18849	14065	9876						1 1/4 - 2 1/2
RC6-250-0-560	273	10.75	0.48	0.6	18	11/16	3.15	6.3	19.69	59.06	28	184.3	1719	1719	1719	1433	1058	837	661						3/8 - 5/8
RC6-250-1-560	273	10.75	0.63	0.67	24	15/16	3.94	5.91	19.69	59.06	35.7	217.2	2689	2689	2535	2160	1631	1300	1036						3/8 - 5/8
RC6-250-2-560	273	10.75	0.63	0.67	24	15/16	3.94	5.91	21.66	59.06	50.9	260.1	3527	3527	3527	3174	2469	1984	1587						3/8 - 5/8
RC6-250-3-560	273	10.75	0.79	0.79	30	1 3/16	6.3	7.49	21.66	59.06	82.5	386.2	5798	5798	5798	5754	4607	3703	2932						1/2 - 1
RC6-250-4-560	273	10.75	0.95	0.99	36	1 7/16	6.7	11.03	23.63	59.06	117.9	573.7	10688	8068	8068	8068	7076	5621	4497						1/2 - 1 1/2
RC6-250-5-560	273	10.75	1.19	1.15	45	1 3/4	7.49	11.42	25.6	59.06	172	685.9	13426	13426	13426	12301	10141	8289	6547						1/2 - 1 1/2
RC6-250-6-560	273	10.75	1.42	1.62	54	2 1/8	8.27	12.21	25.6	43.31	225.1	568.4	16799	16799	16799	16799	16292	13337	10538						3/4 - 2 1/2
RC6-250-7-560	273	10.75	1.66	1.78	63	2 1/2	9.45	12.6	27.56	33.47	317.5	487.4	24096	24096	24096	24096	23611	19334	15255						1 1/4 - 2 1/2
RC6-250-0-600	273	10.75	0.48	0.6	18	11/16	3.94	5.91	19.69	59.06	34.8	215.4	1719	1719	1719	1719	1631	1300	1036						3/8 - 5/8
RC6-250-1-600	273	10.75	0.63	0.67	24	15/16	3.55	6.3	19.69	59.06	42.3	277.1	2535	2535	2535	2535	2491	2138	1697						3/8 - 5/8
RC6-250-2-600	273	10.75	0.63	0.67	24	15/16	4.73	8.67	19.69	59.06	56.4	381	3373	3373	3373	3373	3328	3042	2403						3/8 - 5/8
RC6-250-3-600	273	10.75	0.79	0.79	30	1 3/16	6.3	11.03	21.66	59.06	102.3	568.8	5798	5798	5798	5798	5798	5709	4519						1/2 - 1
RC6-250-4-600	273	10.75	0.95	0.99	36	1 7/16	7.09	12.21	23.63	59.06	148.6	723.1	8068	8068	8068	8068	8068	8068	7010						1/2 - 1 1/2
RC6-250-5-600	273	10.75	1.19	1.15	45	1 3/4	7.88	12.6	25.6	45.28	209.7	601.2	13426	13426	13426	13426	13426	12852	10185						1/2 - 1 1/2
RC6-250-6-600	273	10.75	1.42	1.62	54	2 1/8	10.24	12.21	27.56	31.5	333.3	439.4	16799	16799	16799	16799	16799	16900	16900						3/4 - 2 1/2

RC6 PRESSED RISER CLAMP SIX BOLT TYPE

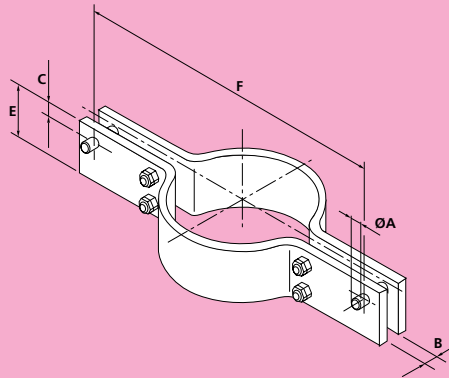


Material: Carbon Steel to 752°F Alloy Steel above 752°F

Order by Part No. and Rod Centres "F"

Part Number	Pipe O/D		A		B		C		E		F		Weight lbs		Load Capacity (lbf) at Temperature F						Compatible with Rod Sizes
	mm	in	in	in	mm	in	Min.	Max.	Min.	Max.	Min.	Max.	662	752	914	986	1040	1076	1112		
RC6-350-1-400	355.6	14	0.63	0.67	24	15/16	4.73	5.12	23.63	72.84	52.7	233.5	1807	1741							3/8 - 5/8
RC6-350-2-400	355.6	14	0.63	0.67	24	15/16	4.73	7.09	23.63	72.84	52.7	322.8	2579	2469							3/8 - 5/8
RC6-350-3-400	355.6	14	0.79	0.79	30	1 3/16	5.91	8.67	25.6	72.84	93.7	475.3	4585	4453							1/2 - 1
RC6-350-4-400	355.6	14	0.95	0.99	36	1 7/16	7.09	9.85	27.56	72.84	149.9	633.4	7187	7032							1/2 - 1 1/2
RC6-350-5-400	355.6	14	1.19	1.15	45	1 3/4	7.49	10.63	29.53	72.84	170.4	787.7	10207	10053							1/2 - 1 1/2
RC6-350-6-400	355.6	14	1.42	1.62	54	2 1/8	9.45	12.21	31.5	57.09	274.5	741.6	16358	16203							3/4 - 2 1/2
RC6-350-7-400	355.6	14	1.66	1.78	63	2 1/2	10.63	12.21	33.47	43.31	380.7	601.4	24096	23743							1 1/4 - 2 1/2
RC6-350-8-400	355.6	14	1.89	2.05	72	2 13/16	12.21	12.21	35.44	35.44	525.6	525.6	33444	33135							1 1/4 - 3 1/4
RC6-350-1-490	355.6	14	0.63	0.67	24	15/16	3.94	4.73	23.63	72.84	43.7	215.2	1697	1697	1609	1344	970	683	485		3/8 - 5/8
RC6-350-2-490	355.6	14	0.63	0.67	24	15/16	3.94	6.7	23.63	72.84	43.7	304.5	2491	2491	2358	1984	1388	970	705		3/8 - 5/8
RC6-350-3-490	355.6	14	0.79	0.79	30	1 3/16	4.73	8.67	25.6	72.84	74.7	474.7	4739	4739	4541	3880	2799	1940	1410		1/2 - 1
RC6-350-4-490	355.6	14	0.95	0.99	36	1 7/16	5.91	9.85	27.56	72.84	124.1	631.8	7407	7407	7165	6239	4850	3659	2557		1/2 - 1 1/2
RC6-350-5-490	355.6	14	1.19	1.15	45	1 3/4	7.09	10.63	27.56	72.84	152.3	786.2	10494	10494	10273	8994	6415	4563	3284		1/2 - 1 1/2
RC6-350-6-490	355.6	14	1.42	1.62	54	2 1/8	9.06	12.6	31.5	59.06	260.8	784.8	16666	16666	16292	13977	10449	7672	5423		1/2 - 1 1/2
RC6-350-7-490	355.6	14	1.66	1.78	63	2 1/2	9.85	12.6	31.5	45.28	335.8	640	24096	24096	23655	20943	16402	12323	8620		1 1/4 - 2 1/2
RC6-350-8-490	355.6	14	1.89	2.05	72	2 13/16	11.42	12.21	33.47	35.44	469.8	522.7	34458	34458	33686	29806	24162	18540	12919		1 3/4 - 3 1/4
RC6-350-1-530	355.6	14	0.63	0.67	24	15/16	3.94	5.52	23.63	72.84	43.7	250.9	2028	2028	1895	1609	1146	815	595		3/8 - 5/8
RC6-350-2-530	355.6	14	0.63	0.67	24	15/16	4.34	7.88	23.63	72.84	47.8	358	2976	2976	2799	2336	1543	1080	771		3/8 - 5/8
RC6-350-3-530	355.6	14	0.79	0.79	30	1 3/16	5.12	7.49	25.6	72.84	80.7	477.3	5467	5467	5291	4497	3064	2116	1543		1/2 - 1
RC6-350-4-530	355.6	14	0.95	0.99	36	1 7/16	5.91	11.03	27.56	72.84	123.5	706.6	8068	8068	8068	7032	5247	3747	2689		1/2 - 1 1/2
RC6-350-5-530	355.6	14	1.19	1.15	45	1 3/4	7.88	11.82	27.56	72.84	168	873	11772	11772	11508	10075	7187	5114	3681		1/2 - 1 1/2
RC6-350-6-530	355.6	14	1.42	1.62	54	2 1/8	7.88	12.6	31.5	53.15	261.9	716.5	16799	16799	16446	12830	9634	6746			3/4 - 2 1/2
RC6-350-7-530	355.6	14	1.66	1.78	63	2 1/2	11.03	12.6	31.5	41.34	374.8	595.7	24096	24096	24096	23787	18540	13933	9744		1 1/4 - 2 1/2
RC6-350-8-530	355.6	14	1.89	2.05	72	2 13/16	12.6	12.6	33.47	33.47	517	517	38536	38536	37699	33355	27028	20745	14462		1 3/4 - 3 1/4
RC6-350-1-560	355.6	14	0.63	0.67	24	15/16	3.94	7.09	23.63	72.84	43.4	322.3	2094	2094	2094	2094	1609	1278	992		3/8 - 5/8
RC6-350-2-560	355.6	14	0.63	0.67	24	15/16	3.94	7.09	23.63	72.84	57.3	385.6	3527	3527	3527	3152	2491	2006	1587		3/8 - 5/8
RC6-350-3-560	355.6	14	0.79	0.79	30	1 3/16	5.12	9.06	27.56	72.84	105.6	577.4	5798	5798	5798	5732	4651	3769	2998		1/2 - 1
RC6-350-4-560	355.6	14	0.95	0.99	36	1 7/16	7.09	9.85	27.56	72.84	147.7	719.6	8068	8068	8068	6966	5577	4431			1/2 - 1 1/2
RC6-350-5-560	355.6	14	1.19	1.15	45	1 3/4	7.88	12.6	29.53	66.93	211.4	864.4	13426	13426	13426	12301	10185	8355	6613		1/2 - 1 1/2
RC6-350-6-560	355.6	14	1.42	1.62	54	2 1/8	9.45	12.6	31.5	47.25	313.3	649.9	16799	16799	16799	16799	16468	13404	10604		3/4 - 2 1/2
RC6-350-7-560	355.6	14	1.66	1.78	63	2 1/2	11.03	12.6	33.47	37.41	444.9	551.4	24096	24096	24096	24096	23633	19378	15322		1 1/4 - 2 1/2
RC6-350-1-600	355.6	14	0.63	0.67	24	15/16	3.94	7.09	23.63	72.84	57.3	385.6	3527	3527	3527	3152	2491	2006	1587		3/8 - 5/8
RC6-350-2-600	355.6	14	0.63	0.67	24	15/16	5.12	7.49	23.63	72.84	74.3	473.8	3527	3527	3527	3527	3527	3064	2425		3/8 - 5/8
RC6-350-3-600	355.6	14	0.79	0.79	30	1 3/16	6.7	9.85	25.6	72.84	129.9	715.2	5798	5798	5798	5798	5798	5709	4519		1/2 - 1
RC6-350-4-600	355.6	14	0.95	0.99	36	1 7/16	7.49	12.6	27.56	63	185.4	809.5	8068	8068	8068	8068	8068	8068	7054		1/2 - 1
RC6-350-5-600	355.6	14	1.19	1.15	45	1 3/4	8.67	12.21	29.53	47.25	268.3	621.9	13426	13426	13426	13426	13426	13007	10273		1/2 - 1 1/2
RC6-350-6-600	355.6	14	1.42	1.62	54	2 1/8	10.63	12.21	31.5	35.44	399.5	500.9	16799	16799	16799	16799	16799	16799	16226		3/4 - 2 1/2

RC6 PRESSED RISER CLAMP SIX BOLT TYPE

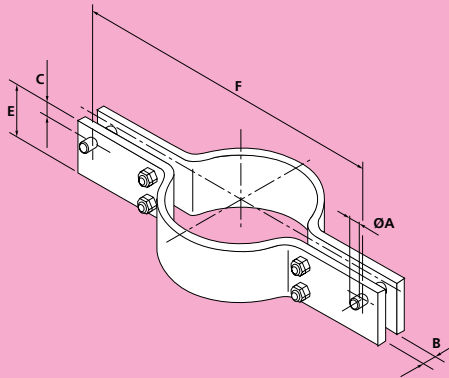


Material: Carbon Steel to 752°F Alloy Steel above 752°F

Order by Part No. and Rod Centres "F"

Part Number	Pipe O/D		A		B		C		E		F		Weight lbs		Load Capacity (lbf) at Temperature F							Compatible with Rod Sizes
	mm	in	in	in	mm	in	Min.	Max.	Min.	Max.	Min.	Max.	662	752	914	986	1040	1076	1112			
RC6-450-2-400	457.2	18	0.63	0.67	24	15/16	4.73	6.3	27.56	70.87	62.4	287.7	2513	2425								3/8 - 5/8
RC6-450-3-400	457.2	18	0.79	0.79	30	1 3/16	5.91	7.88	31.5	70.87	115.1	433.2	4585	4453								1/2 - 1
RC6-450-4-400	457.2	18	0.95	0.99	36	1 7/16	7.09	9.06	31.5	70.87	174.2	583.8	7253	7098								1/2 - 1 1/2
RC6-450-5-400	457.2	18	1.19	1.15	45	1 3/4	7.88	9.85	33.47	70.87	205.9	730.6	10317	10097								1/2 - 1 1/2
RC6-450-6-400	457.2	18	1.42	1.62	54	2 1/8	8.67	12.6	37.41	61.03	345.9	832.7	16755	16600								3/4 - 2 1/2
RC6-450-7-400	457.2	18	1.66	1.78	63	2 1/2	11.03	12.21	37.41	47.25	449.5	670.2	24096	23655								1 1/4 - 2 1/2
RC6-450-8-400	457.2	18	1.89	2.05	72	2 13/16	12.6	12.6	39.38	39.38	612.7	612.7	33223	32915								1 3/4 - 3 1/4
RC6-450-2-490	457.2	18	0.63	0.67	24	15/16	4.73	6.3	27.56	70.87	61.9	287.3	2601	2601	2447	2028	1344	947	661			3/8 - 5/8
RC6-450-3-490	457.2	18	0.79	0.79	30	1 3/16	4.73	7.88	29.53	70.87	87.7	432.5	4717	4717	4475	3725	2535	1763	1278			1/2 - 1
RC6-450-4-490	457.2	18	0.95	0.99	36	1 7/16	5.91	9.06	31.5	70.87	144.4	582.5	7451	7451	7231	6305	4916	3549	2557			1/2 - 1 1/2
RC6-450-5-490	457.2	18	1.19	1.15	45	1 3/4	7.88	9.85	33.47	70.87	204.4	730.6	10626	10626	10229	8642	6172	4409	3152			1/2 - 1 1/2
RC6-450-6-490	457.2	18	1.42	1.62	54	2 1/8	9.45	12.6	35.44	63	310.4	852.3	16468	16468	16115	13977	10494	7716	5445			3/4 - 2 1/2
RC6-450-7-490	457.2	18	1.66	1.78	63	2 1/2	10.24	12.6	35.44	49.22	396.6	707.5	24096	24096	23633	20943	16402	12345	8620			1 1/4 - 2 1/2
RC6-450-8-490	457.2	18	1.89	2.05	72	2 13/16	12.6	12.6	39.38	39.38	608.9	608.9	34215	34215	33488	29674	24118	18540	12963			1 3/4 - 3 1/4
RC6-450-2-530	457.2	18	0.63	0.67	24	15/16	4.73	7.09	29.53	70.87	86.4	323.4	2954	2954	2777	2336	1675	1190	859			3/8 - 5/8
RC6-450-3-530	457.2	18	0.79	0.79	30	1 3/16	5.91	9.06	29.53	70.87	109.1	497.1	5489	5489	5291	4519	3240	2248	1631			1/2 - 1
RC6-450-4-530	457.2	18	0.95	0.99	36	1 7/16	6.3	10.24	31.5	70.87	153.7	657.9	8068	8068	8068	7187	5357	3813	2733			1/2 - 1 1/2
RC6-450-5-530	457.2	18	1.19	1.15	45	1 3/4	7.09	11.03	33.47	70.87	221.1	817.5	12037	12037	11772	10427	8355	6150	4343			1/2 - 1 1/2
RC6-450-6-530	457.2	18	1.42	1.62	54	2 1/8	8.27	12.6	35.44	57.09	315.3	785.7	16799	16799	16799	16534	12985	9766	6834			3/4 - 2 1/2
RC6-450-7-530	457.2	18	1.66	1.78	63	2 1/2	9.85	12.6	37.41	45.28	450.8	663.2	24096	24096	24096	24096	19599	15079	10538			1 1/4 - 2 1/2
RC6-450-2-560	457.2	18	0.63	0.67	24	15/16	4.34	6.3	27.56	70.87	75	343.5	3284	3284	3284	3064	2425	1962	1565			3/8 - 5/8
RC6-450-3-560	457.2	18	0.79	0.79	30	1 3/16	5.12	8.27	31.5	70.87	123	528.2	5798	5798	5798	5754	4607	3681	2932			1/2 - 1
RC6-450-4-560	457.2	18	0.95	0.99	36	1 7/16	7.49	9.06	31.5	70.87	181.2	663.8	8068	8068	8068	8068	7010	5599	4453			1/2 - 1 1/2
RC6-450-5-560	457.2	18	1.19	1.15	45	1 3/4	8.27	12.6	33.47	70.87	255.5	931.9	13426	13426	13426	12169	10119	8289	6569			1/2 - 1 1/2
RC6-450-6-560	457.2	18	1.42	1.62	54	2 1/8	9.85	12.6	35.44	51.19	373.9	719.1	16799	16799	16799	16799	16468	13426	10626			3/4 - 2 1/2
RC6-450-7-560	457.2	18	1.66	1.78	63	2 1/2	11.42	12.21	37.41	39.38	521.4	578.3	24096	24096	24096	24074	19775	15652	1114			1/2 - 2 1/2
RC6-450-2-600	457.2	18	0.63	0.67	24	15/16	6.3	9.45	27.56	70.87	108.7	515	3527	3527	3527	3527	3527	3020	2425			3/8 - 5/8
RC6-450-3-600	457.2	18	0.79	0.79	30	1 3/16	7.09	9.06	29.53	70.87	161.6	659.2	5445	5445	5445	5445	5445	5445	4497			1/2 - 1
RC6-450-4-600	457.2	18	0.95	0.99	36	1 7/16	7.88	12.6	31.5	66.93	227.1	877.4	8068	8068	8068	8068	8068	8068	8068			1/2 - 1 1/2
RC6-450-5-600	457.2	18	1.19	1.15	45	1 3/4	8.67	12.21	33.47	51.19	310	688.1	13426	13426	13426	13426	13426	12742	10075			1/2 - 1 1/2
RC6-450-6-600	457.2	18	1.42	1.62	54	2 1/8	11.03	12.6	35.44	39.38	473.1	584.2	16799	16799	16799	16799	16799	16799	16203			3/4 - 2 1/2

RC6 PRESSED RISER CLAMP SIX BOLT TYPE

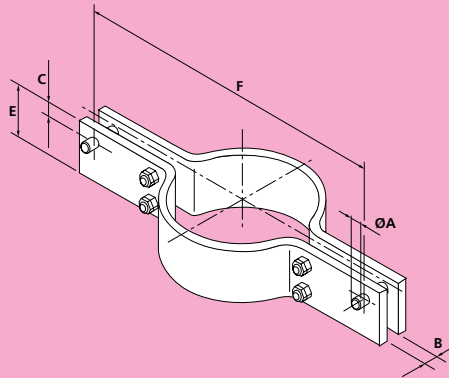


Material: Carbon Steel to 752°F Alloy Steel above 752°F.

Order by Part No. and Rod Centres "R"

Part Number	Pipe O/D		A		B		C		E		F		Weight lbs		Load Capacity (lb) at Temperature F							Compatible with Rod Sizes		
	mm	in	in	in	mm	in	mm	in	Min.	Max.	Min.	Max.	Min.	Max.	662	752	914	986	1040	1076	1112			
RC6-550-3-400	558.8	22	0.79	0.79	30	1 3/16	7.09	7.09	35.44	68.9	196.2	392.6	4629	4497									1/2 - 1	
RC6-550-4-400	558.8	22	0.95	0.99	36	1 7/16	8.67	8.67	37.41	68.9	301.2	562.2	7782	7650									1/2 - 1 1/2	
RC6-550-5-400	558.8	22	1.19	1.15	45	1 3/4	10.24	10.24	41.34	68.9	452.6	766.3	12147	12037									1/2 - 1 1/2	
RC6-550-6-400	558.8	22	1.42	1.62	54	2 1/8	10.24	12.6	41.34	64.97	458.8	903.9	16733	16578									3/4 - 2 1/2	
RC6-550-7-400	558.8	22	1.66	1.78	63	2 1/2	10.24	12.21	43.31	51.19	547.6	735.9	24096	23964									1 1/4 - 2 1/2	
RC6-550-3-490	558.8	22	0.79	0.79	30	1 3/16	5.91	7.09	33.47	68.9	125.4	391.3	4761	4761	4585	3902	2667	1851	1344				1/2 - 1	
RC6-550-4-490	558.8	22	0.95	0.99	36	1 7/16	5.91	7.88	35.44	68.9	164.5	507.9	7231	7231	7010	6106	4453	3174	2270				1/2 - 1 1/2	
RC6-550-5-490	558.8	22	1.19	1.15	45	1 3/4	7.09	10.63	37.41	66.93	250	677.3	10494	10494	10185	8862	6966	5247	3659				1/2 - 1 1/2	
RC6-550-6-490	558.8	22	1.42	1.62	54	2 1/8	8.67	12.6	41.34	66.93	386.9	922.6	16446	16446	16093	14285	11640	8972	6283				3/4 - 2 1/2	
RC6-550-7-490	558.8	22	1.66	1.78	63	2 1/2	9.06	12.6	41.34	53.15	466.9	778	24096	24096	23743	21076	17174	13227	9259				1 1/4 - 2 1/2	
RC6-550-3-530	558.8	22	0.79	0.79	30	1 3/16	5.91	8.27	35.44	68.9	162.7	456.1	5621	5621	5423	4629	3483	2579	1807				1/2 - 1	
RC6-550-4-530	558.8	22	0.95	0.99	36	1 7/16	6.7	9.06	35.44	68.9	186.1	583.8	8068	8068	8068	7076	5092	3659	2601				1/2 - 1 1/2	
RC6-550-5-530	558.8	22	1.19	1.15	45	1 3/4	7.09	9.85	37.41	68.9	250	731.9	11993	11993	11750	10427	8002	5886	4166				1/2 - 1 1/2	
RC6-550-6-530	558.8	22	1.42	1.62	54	2 1/8	9.06	12.6	41.34	61.03	404.1	856.1	16799	16799	16799	16248	12742	9612	6702				3/4 - 2 1/2	
RC6-550-7-530	558.8	22	1.66	1.78	63	2 1/2	10.24	12.6	41.34	49.22	526.2	733.7	24096	24096	24096	23677	19312	14859	10405				1 1/4 - 2 1/2	
RC6-550-3-560	558.8	22	0.79	0.79	30	1 3/16	5.91	7.09	35.44	68.9	162	454.2	5709	5709	5709	5489	4453	3637	2888				1/2 - 1	
RC6-550-4-560	558.8	22	0.95	0.99	36	1 7/16	6.3	11.03	37.41	68.9	217.2	710.1	8068	8068	8068	7231	5908	4673					1/2 - 1 1/2	
RC6-550-5-560	558.8	22	1.19	1.15	45	1 3/4	8.27	11.42	37.41	68.9	289.2	848.1	11860	11860	11860	10097	8157	6459					1/2 - 1 1/2	
RC6-550-6-560	558.8	22	1.42	1.62	54	2 1/8	10.24	12.6	39.38	55.12	437.2	787.1	16799	16799	16799	16799	16490	13426	10626				3/4 - 2 1/2	
RC6-550-7-560	558.8	22	1.66	1.78	63	2 1/2	11.82	12.6	41.34	43.31	605.4	667.1	24096	24096	24096	24052	19753	15674					1 1/4 - 2 1/2	
RC6-550-3-600	558.8	22	0.79	0.79	30	1 3/16	5.91	10.63	35.44	68.9	193.1	680.3	5732	5732	5732	5732	5732	5665	4475				1/2 - 1	
RC6-550-4-600	558.8	22	0.95	0.99	36	1 7/16	8.67	12.21	35.44	68.9	285.3	895.5	8068	8068	8068	8068	8068	8068	8068					1/2 - 1 1/2
RC6-550-5-600	558.8	22	1.19	1.15	45	1 3/4	9.06	12.6	37.41	57.09	366.8	800.5	13051	13051	13051	13051	13051	12764	10119				1/2 - 1 1/2	
RC6-550-6-600	558.8	22	1.42	1.62	54	2 1/8	12.21	12.21	41.34	41.34	612.2	612.2	16799	16799	16799	16799	16799	16799	16799					3/4 - 2 1/2
RC6-600-3-400	609.6	24	0.79	0.79	30	1 3/16	7.09	7.09	37.41	66.93	208.3	388.5	5070	4938									1/2 - 1	
RC6-600-4-400	609.6	24	0.95	0.99	36	1 7/16	8.67	8.67	39.38	66.93	319	556.2	8068	8068									1/2 - 1 1/2	
RC6-600-5-400	609.6	24	1.19	1.15	45	1 3/4	10.24	10.24	43.31	66.93	477.3	666.5	10273	10119									1/2 - 1 1/2	
RC6-600-6-400	609.6	24	1.42	1.62	54	2 1/8	10.24	12.6	43.31	66.93	483.5	938.5	16755	16600									3/4 - 2 1/2	
RC6-600-7-400	609.6	24	1.66	1.78	63	2 1/2	11.42	12.21	45.28	53.15	644.9	773.8	23831	23633									1 1/4 - 2 1/2	
RC6-600-3-490	609.6	24	0.79	0.79	30	1 3/16	6.3	6.7	35.44	66.93	142.4	365.7	4916	4916	4607	3858	2667	1851	1344				1/2 - 1	
RC6-600-4-490	609.6	24	0.95	0.99	36	1 7/16	7.09	7.49	39.38	66.93	218.5	479.3	7495	7495	7297	6393	5048	3637	2601				1/2 - 1 1/2	
RC6-600-5-490	609.6	24	1.19	1.15	45	1 3/4	7.09	10.24	39.38	66.93	264.8	661.2	10582	10582	10295	9016	7142	5401	3769				1/2 - 1 1/2	
RC6-600-6-490	609.6	24	1.42	1.62	54	2 1/8	8.67	12.21	43.31	66.93	407.9	906.1	16688	16688	16358	14594	11993	9171	6393				3/4 - 2 1/2	
RC6-600-7-490	609.6	24	1.66	1.78	63	2 1/2	9.85	12.6	45.28	55.12	550.9	812.6	24096	24096	23677	21098	17350	13404	9479				1 1/4 - 2 1/2	
RC6-600-3-530	609.6	24	0.79	0.79	30	1 3/16	5.91	7.49	37.41	66.93	172.8	408.5	5555	5555	5357	4585	3505	2579	1829				1/2 - 1	
RC6-600-4-530	609.6	24	0.95	0.99	36	1 7/16	7.49	8.27	37.41	66.93	220.5	529.1	8068	8068	8068	7120	5357	3858	2755				1/2 - 1 1/2	
RC6-600-5-530	609.6	24	1.19	1.15	45	1 3/4	7.09	9.06	39.38	66.93	264.8	666.7	12015	12015	11794	10141	7716	5709	4012				1/2 - 1 1/2	
RC6-600-6-530	609.6	24	1.42	1.62	54	2 1/8	9.45	12.21	43.31	63	444	863.1	16799	16799	16799	16159	13271	10097	7032				3/4 - 2 1/2	
RC6-600-7-530	609.6	24	1.66	1.78	63	2 1/2	11.03	12.21	45.28	49.22	615.5	723.1	24096	24096	24096	24052	19753	15278	10802				1 1/4 - 2 1/2	
RC6-600-3-560	609.6	24	0.79	0.79	30	1 3/16	6.3	9.06	37.41	66.93	183.4	494.1	5555	5555	5555	5555	4563	3681	2932				1/2 - 1	
RC6-600-4-560	609.6	24	0.95	0.99	36	1 7/16	7.09	9.85	39.38	66.93	260.1	629.2	8068	8068	8068	8068	7120	5820	4607				1/2 - 1 1/2	
RC6-600-5-560	609.6	24	1.19	1.15	45	1 3/4	8.67	10.24	39.38	66.93	322.3	753.1	13426	13426	13426	12147	10163	8223	6525				1/2 - 1 1/2	
RC6-600-6-560	609.6	24	1.42	1.62	54	2 1/8	10.24	12.21	41.34	57.09	461.9	796.3	16799	16799	16799	16799	16292	13337	10560				3/4 - 2 1/2	
RC6-600-7-560	609.6	24	1.66	1.78	63	2 1/2	12.6	12.6	45.28	45.28	701.7	701.7	24096	24096	24096	23898	19665	15652					1 1/4 - 2 1/2	
RC6-600-3-600	609.6	24	0.79	0.79	30	1 3/16	6.3	9.85	37.41	66.93	218.9	623.2	5577	5577	5577	5577	5577	5577	5577					1/2 - 1
RC6-600-4-600	609.6	24	0.95	0.99	36	1 7/16	9.45	11.03	37.41	66.93	330.5	800.5	8068	8068	8068	8068	8068	8068	7098				1/2 - 1 1/2	
RC6-600-5-600	609.6	24	1.19	1.15	45	1 3/4	9.85	12.6	41.34	59.06	437.2	836.9	12874	12874	12874	12874	12874	12786	10119				1/2 - 1 1/2	
RC6-600-6-600	609.6	24	1.42	1.62	54	2 1/8	12.21	12.21	43.31	43.31	645.7	644.2	16799	16799	16799	16799	16799	16799	16799					3/4 - 2 1/2

RC6 PRESSED RISER CLAMP SIX BOLT TYPE

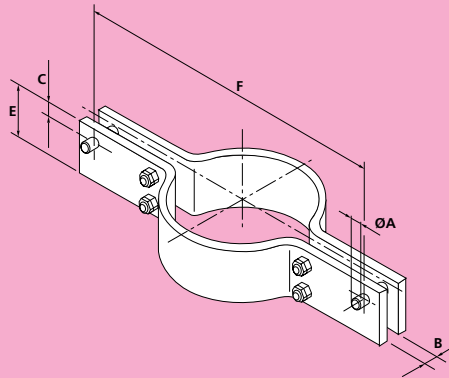


Material: Carbon Steel to 752°F Alloy Steel above 752°F

Order by Part No. and Rod Centres "F"

Part Number	Pipe O/D		A		B		C		E		F		Weight lbs		Load Capacity (lb) at Temperature F						Compatible with Rod Sizes		
	mm	in	in	in	mm	in	mm	in	Min.	Max.	Min.	Max.	Min.	Max.	662	752	914	986	1040	1076		1112	
RC6-750-4-400	762.0	30	0.95	0.99	36	1 7/16	8.67	8.67	47.25	63	384	475.5	8068	8046									1/2 - 1 1/2
RC6-750-5-400	762.0	30	1.19	1.15	45	1 3/4	10.24	10.24	49.22	63	550.7	661.2	13271	13051									1/2 - 1 1/2
RC6-750-6-400	762.0	30	1.42	1.62	54	2 1/8	11.42	11.42	51.19	63	728.2	848.8	16799	16799									3/4 - 2 1/2
RC6-750-4-490	762.0	30	0.95	0.99	36	1 7/16	7.88	7.49	45.28	63	282.9	409.4	7253	7253	6988	5996	4497	3240	2314				1/2 - 1 1/2
RC6-750-5-490	762.0	30	1.19	1.15	45	1 3/4	7.88	8.27	45.28	63	342.2	530.7	10802	10802	10516	9083	6878	5092	3593				1/2 - 1 1/2
RC6-750-6-490	762.0	30	1.42	1.62	54	2 1/8	8.67	9.85	49.22	63	469.6	726.4	16600	16600	16137	14109	11133	8443	5886				3/4 - 2 1/2
RC6-750-7-490	762.0	30	1.66	1.78	63	2 1/2	10.24	12.6	51.19	59.06	659.2	896.2	24096	24096	23831	21208	17394	13426	9457				1 1/4 - 2 1/2
RC6-750-4-530	762.0	30	0.95	0.99	36	1 7/16	7.09	8.67	45.28	63	303.8	473.3	8068	8068	8068	7032	5335	3946	2777				1/2 - 1 1/2
RC6-750-5-530	762.0	30	1.19	1.15	45	1 3/4	8.67	9.06	45.28	63	375.9	580.7	11949	11949	11618	10053	7627	5643	3968				1/2 - 1 1/2
RC6-750-6-530	762.0	30	1.42	1.62	54	2 1/8	9.85	11.03	49.22	63	532.4	812.4	16799	16799	16799	16203	12808	9700	6746				3/4 - 2 1/2
RC6-750-7-530	762.0	30	1.66	1.78	63	2 1/2	11.42	12.6	51.19	55.12	733.3	851.9	24096	24096	24096	23633	19378	14947					1 1/4 - 2 1/2
RC6-750-4-560	762.0	30	0.95	0.99	36	1 7/16	7.88	8.27	45.28	64.97	337.1	537.5	8068	8068	8068	8068	7231	5864	4651				1/2 - 1 1/2
RC6-750-5-560	762.0	30	1.19	1.15	45	1 3/4	7.88	11.03	47.25	63	408.7	705.9	12874	12874	12874	12588	10273	8377	6635				1/2 - 1 1/2
RC6-750-6-560	762.0	30	1.42	1.62	54	2 1/8	9.06	12.6	49.22	63	557.5	927	16799	16799	16799	16799	16248	13360	10626				3/4 - 2 1/2
RC6-750-4-600	762.0	30	0.95	0.99	36	1 7/16	8.67	9.06	45.28	64.97	427.9	668.2	8068	8068	8068	8068	8068	8068	7054				1/2 - 1 1/2
RC6-750-5-600	762.0	30	1.19	1.15	45	1 3/4	9.06	12.21	47.25	63	533.5	889.1	13426	13426	13426	13426	13426	12919	10251				1/2 - 1 1/2
RC6-800-4-400	812.8	32	0.95	0.99	36	1 7/16	10.24	10.24	49.22	63	552.7	662.9	8068	8068									1/2 - 1 1/2
RC6-800-5-400	812.8	32	1.19	1.15	45	1 3/4	10.24	10.24	51.19	63	575.6	670.2	13426	13426									1/2 - 1 1/2
RC6-800-6-400	812.8	32	1.42	1.62	54	2 1/8	11.42	11.42	53.15	63	759.5	860	16799	16799									3/4 - 2 1/2
RC6-800-4-490	812.8	32	0.95	0.99	36	1 7/16	7.09	7.49	47.25	63	318.6	415.1	7495	7495	7253	6239	4784	3549	2491				1/2 - 1 1/2
RC6-800-5-490	812.8	32	1.19	1.15	45	1 3/4	8.27	8.67	49.22	63	386.9	565.7	10824	10824	10471	9016	6900	5136	3615				1/2 - 1 1/2
RC6-800-6-490	812.8	32	1.42	1.62	54	2 1/8	9.45	9.45	51.19	63	534.4	707.2	16666	16666	16380	14594	11640	8862	6150				3/4 - 2 1/2
RC6-800-7-490	812.8	32	1.66	1.78	63	2 1/2	10.63	12.6	53.15	61.03	713.4	931.2	23986	23986	23567	21076	17416	13514	9590				1 1/4 - 2 1/2
RC6-800-4-530	812.8	32	0.95	0.99	36	1 7/16	7.09	8.27	47.25	63	318.6	458.3	8068	8068	8068	6966	5335	3968	2799				1/2 - 1 1/2
RC6-800-5-530	812.8	32	1.19	1.15	45	1 3/4	9.45	8.67	49.22	63	441.4	565.7	11794	11794	11486	10075	7958	5930	4166				1/2 - 1 1/2
RC6-800-6-530	812.8	32	1.42	1.62	54	2 1/8	10.63	10.63	51.19	63	600.1	794.3	16799	16799	16799	16578	13205	10053	6988				3/4 - 2 1/2
RC6-800-7-530	812.8	32	1.66	1.78	63	2 1/2	11.42	12.21	53.15	55.12	765	838.2	24096	24096	24096	23721	19599	15211	10802				1 1/4 - 2 1/2
RC6-800-4-560	812.8	32	0.95	0.99	36	1 7/16	8.27	7.49	47.25	63	371	481.9	8068	8068	8068	8068	7098	5798	4585				1/2 - 1 1/2
RC6-800-5-560	812.8	32	1.19	1.15	45	1 3/4	8.27	10.63	49.22	63	449.1	690.3	12610	12610	12610	12522	10273	8399	6635				1/2 - 1 1/2
RC6-800-6-560	812.8	32	1.42	1.62	54	2 1/8	9.45	12.21	51.19	63	607.4	910.5	16799	16799	16799	16799	16358	13470	10736				3/4 - 2 1/2
RC6-800-4-600	812.8	32	0.95	0.99	36	1 7/16	9.06	11.03	47.25	63	469.4	706.6	8068	8068	8068	8068	8068	8068	7032				1/2 - 1 1/2
RC6-800-5-600	812.8	32	1.19	1.15	45	1 3/4	9.06	11.82	49.22	63	558.4	872.1	13426	13426	13426	13426	13426	12610	10053				1/2 - 1 1/2

RC6 PRESSED RISER CLAMP SIX BOLT TYPE



Material: Carbon Steel to 752°F Alloy Steel above 752°F

Order by Part No. and Rod Centres "F"

Part Number	Pipe O/D		A		B		C		E		F		Weight lbs		Load Capacity (lbf) at Temperature F							Compatible with Rod Sizes
	mm	in	in	in	mm	in	Min.	Max.	Min.	Max.	Min.	Max.	662	752	914	986	1040	1076	1112			
RC6-950-4-400	965.2	38	0.95	0.99	36	1 7/16	10.24	10.24	57.09	59.06	642.4	658.3	8068	8068								1/2 - 1 1/2
RC6-950-5-400	965.2	38	1.19	1.15	45	1 3/4	11.42	11.42	59.06	59.06	846.4	846.4	13426	13426								1/2 - 1 1/2
RC6-950-6-400	965.2	38	1.42	1.62	54	2 1/8	11.42	11.42	59.06	59.06	853.6	853.6	16799	16799								3/4 - 2 1/2
RC6-950-4-490	965.2	38	0.95	0.99	36	1 7/16	7.09	7.09	53.15	59.06	362.9	390.9	7650	7650	7407	6415	4982	3747	2623			1/2 - 1 1/2
RC6-950-5-490	965.2	38	1.19	1.15	45	1 3/4	9.45	9.45	55.12	59.06	500.2	525.4	10494	10494	10163	8818	6856	5136	3593			1/2 - 1 1/2
RC6-950-6-490	965.2	38	1.42	1.62	54	2 1/8	11.03	11.03	57.09	59.06	701.7	718.7	16799	16799	16512	14594	11794	9038	6283			3/4 - 2 1/2
RC6-950-7-490	965.2	38	1.66	1.78	63	2 1/2	12.21	12.21	59.06	59.06	917.3	917.3	24096	24096	24052	21627	18121	14131	10163			1 1/4 - 2 1/2
RC6-950-4-530	965.2	38	0.95	0.99	36	1 7/16	7.88	7.88	53.15	59.06	402.6	433.9	8068	8068	8068	7209	5599	4210	2932			1/2 - 1 1/2
RC6-950-5-530	965.2	38	1.19	1.15	45	1 3/4	8.67	8.67	57.09	59.06	548.5	561.7	12786	12786	12500	11045	8928	6834	4761			1/2 - 1 1/2
RC6-950-6-530	965.2	38	1.42	1.62	54	2 1/8	10.24	10.24	59.06	59.06	762.8	762.8	16799	16799	16799	16799	14903	11618	8355			3/4 - 2 1/2
RC6-950-4-560	965.2	38	0.95	0.99	36	1 7/16	9.45	9.45	53.15	59.06	482.4	519.6	8068	8068	8068	8068	7165	5820	4607			1/2 - 1 1/2
RC6-950-5-560	965.2	38	1.19	1.15	45	1 3/4	9.45	9.45	55.12	59.06	580.7	609.8	11993	11993	11993	11993	10163	8333	6569			1/2 - 1 1/2
RC6-950-6-560	965.2	38	1.42	1.62	54	2 1/8	11.03	11.03	59.06	59.06	817	817	16799	16799	16799	16490	13624	10912				3/4 - 2 1/2
RC6-950-4-600	965.2	38	0.95	0.99	36	1 7/16	10.24	10.24	55.12	59.06	621.7	653.2	8068	8068	8068	8068	8068	8068	7120			1/2 - 1 1/2
RC6-950-5-600	965.2	38	1.19	1.15	45	1 3/4	10.63	10.63	57.09	59.06	761.3	778.9	13426	13426	13426	13426	13426	12874	10317			1/2 - 1 1/2
RC6-1000-4-400	1016	40	0.95	0.99	36	1 7/16	10.24	10.24	59.06	59.06	667.1	667.1	8068	8068								1/2 - 1 1/2
RC6-1000-4-490	1016	40	0.95	0.99	36	1 7/16	7.09	7.09	55.12	59.06	377.4	396.2	7275	7275	7032	6084	4695	3505	2447			1/2 - 1 1/2
RC6-1000-4-530	1016	40	0.95	0.99	36	1 7/16	8.27	8.27	55.12	59.06	439.6	461.4	8068	8068	8068	7187	5533	4144	2910			1/2 - 1 1/2
RC6-1000-4-560	1016	40	0.95	0.99	36	1 7/16	7.49	7.49	57.09	59.06	473.3	485	8068	8068	8068	8068	7385	6040	4761			1/2 - 1 1/2
RC6-1000-5-560	1016	40	1.19	1.15	45	1 3/4	10.24	10.24	57.09	57.09	653.2	653.2	12323	12323	12323	12323	10449	8553	6746			1/2 - 1 1/2
RC6-1000-4-600	1016	40	0.95	0.99	36	1 7/16	10.63	10.63	57.09	59.06	670.9	687.2	8068	8068	8068	8068	8068	8068	6988			1/2 - 1 1/2
RC6-1000-5-600	1016	40	1.19	1.15	45	1 3/4	11.03	11.03	59.06	59.06	819.5	819.5	13293	13293	13293	13293	13293	12610	10075			1/2 - 1 1/2