

# VARIABLE EFFORT SUPPORT SELECTION CHART

**Newtons**

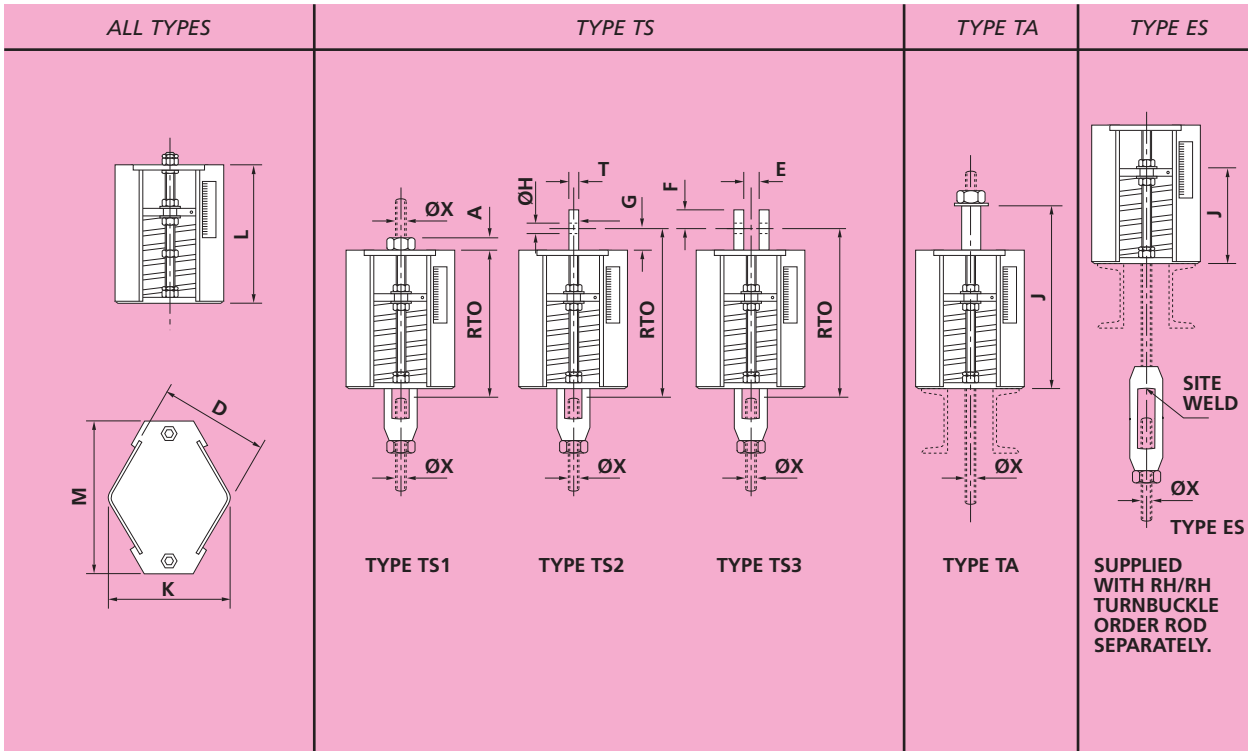
MOVEMENT mm		SPRING SIZE																																
V1	V2	V3	V4	V5	1	2	3	4	5	6	7	8	9	10	11	12	13	14	15	16	17	18	19	20	21	22	23	24	25	26	27	28	29	
MIN	0	0	0	0	26.7	46.7	75.5	107	125	160	178	289	353	461	608	775	1079	1412	1981	2471	3501	4511	5972	7963	10611	14328	20006	26782	35333	47023	62272	83102	111139	
					28.1	48.4	77.6	110	129	165	183	296	363	473	625	798	1108	1453	2034	2544	3591	4631	6132	8176	10894	14711	20532	27483	36281	48270	63934	85360	114064	
					29.5	50.2	79.7	112	133	170	189	303	373	486	642	821	1138	1493	2088	2617	3682	4752	6291	8389	11177	15095	21059	28183	37228	49517	65595	87619	116989	
					30.9	51.9	81.8	115	137	175	194	310	382	499	659	844	1167	1534	2141	2690	3772	4872	6451	8602	11460	15479	21586	28884	38175	50764	67257	89878	119915	
W	5	10	20	30	40	32.3	53.7	83.9	118	141	179	200	317	392	511	676	867	1196	1575	2194	2763	3863	4992	6610	8815	11743	15863	22112	29584	39122	52010	68919	92137	122840
						33.7	55.5	86.0	121	146	184	206	324	402	524	693	890	1226	1615	2248	2836	3953	5113	6770	9029	12026	16247	22639	30285	40069	53257	70580	94396	125765
						35.1	57.2	88.1	124	150	189	211	331	412	536	710	912	1255	1656	2301	2909	4043	5233	6929	9242	12309	16631	23166	30985	41016	54504	72242	96655	128690
						36.5	59.0	90.2	126	154	194	217	338	422	549	727	935	1285	1697	2354	2982	4134	5353	7089	9455	12591	17015	23692	31686	41964	55751	73904	98914	131616
O	10	20	30	40	80	37.9	60.7	92.3	129	158	199	222	345	431	562	744	958	1314	1737	2408	3055	4224	5474	7249	9668	12874	17399	24219	32387	42911	56998	75565	101173	134541
						39.3	62.5	94.5	132	162	204	228	352	441	574	761	981	1344	1778	2461	3128	4315	5594	7408	9881	13157	17783	24746	33087	43858	58245	77227	103431	137466
						40.7	64.2	96.6	135	167	209	234	359	451	587	778	1004	1373	1819	2514	3201	4405	5714	7568	10094	13440	18166	25272	33788	44805	59492	78889	105690	140391
						42.1	66.0	98.7	138	171	214	239	366	461	599	795	1027	1402	1859	2568	3274	4496	5834	7727	10307	13723	18550	25799	34488	45752	60739	80550	107949	143317
R	10	20	30	40	80	43.5	67.7	101	140	175	219	245	373	471	612	812	1050	1432	1900	2621	3347	4586	5955	7887	10520	14006	18934	26326	35189	46700	61985	82212	110208	146242
						44.9	69.5	103	143	179	224	251	380	481	624	829	1073	1461	1941	2674	3420	4676	6075	8046	10733	14289	19318	26853	35889	47647	63232	83873	112467	149167
						46.3	71.3	105	146	183	228	256	387	490	637	846	1096	1491	1981	2728	3493	4767	6195	8206	10947	14572	19702	27379	36590	48594	64479	85535	114726	152092
						47.7	73.0	107	149	188	233	262	394	500	650	863	1119	1520	2022	2781	3566	4857	6316	8365	11160	14855	20086	27906	37291	49541	65626	87197	116985	155018
K	15	30	60	90	120	49.1	74.8	109	152	192	238	267	401	510	662	880	1142	1549	2063	2834	3639	4948	6436	8525	11373	15138	20470	28433	37991	50488	66973	88858	119244	157943
						50.5	76.5	111	154	196	243	273	408	520	675	897	1165	1579	2103	2888	3711	5038	6556	8684	11586	15421	20854	28959	38692	51435	68220	90520	121502	160868
						51.9	78.3	113	157	200	248	279	415	530	687	914	1188	1608	2144	2941	3784	5128	6677	8844	11799	15704	21238	29486	39392	52383	69467	92182	123761	163793
						53.3	80.0	116	160	205	253	284	422	539	700	931	1211	1638	2185	2994	3857	5219	6797	9003	12012	15987	21622	30013	40093	53330	70714	93843	126202	166719
I	20	40	80	120	160	54.7	81.8	118	163	209	258	290	429	549	713	948	1234	1667	2225	3048	3930	5309	6917	9163	12225	16270	22005	30539	40794	54277	71960	95505	128279	169644
						56.1	83.5	120	166	213	263	296	436	559	725	965	1257	1697	2266	3101	4003	5400	7038	9323	12438	16553	22389	31066	41494	55224	73207	97166	130538	172569
						57.5	85.3	122	168	217	268	301	443	569	738	982	1280	1726	2307	3154	4076	5490	7158	9482	12652	16836	22773	31593	42195	56171	74454	98828	132797	175494
						58.9	87.1	124	171	221	273	307	450	579	750	999	1303	1755	2347	3208	4149	5580	7278	9642	12865	17119	23157	32119	42895	57118	75701	100490	135056	178420
G	20	40	80	120	160	60.3	88.8	126	174	226	278	312	457	588	763	1016	1326	1785	2388	3261	4222	5671	7399	9801	13078	17402	23541	32646	43596	58066	76948	102151	137315	181345
						61.7	90.6	128	177	230	282	318	465	598	775	1033	1349	1814	2429	3314	4295	5761	7519	9961	13291	17685	23925	33173	44296	59013	78195	103813	139574	184270
						63.1	92.3	130	180	234	287	324	472	608	788	1050	1372	1844	2469	3368	4368	5852	7639	10120	13504	17968	24309	33699	44997	59960	79442	105475	141832	187195
						64.5	94.1	132	182	238	292	329	479	618	801	1067	1395	1873	2510	3421	4441	5942	7759	10280	13717	18251	24693	34226	45698	60907	80689	107136	144091	190121
R	25	50	100	150	200	65.9	95.8	134	185	242	297	335	486	628	813	1084	1418	1902	2551	3474	4514	6033	7880	10439	13930	18534	25077	34753	46398	61854	81936	108798	146350	193046
						67.3	97.6	137	188	247	302	341	493	637	826	1100	1441	1932	2591	3528	4587	6123	8000	10599	14143	18817	25460	35280	47099	62802	83182	110459	148609	195971
						68.7	99.3	139	191	251	307	346	500	647	838	1117	1464	1961	2632	3581	4660	6213	8120	10758	14356	19100	25844	35806	47799	63749	84429	112121	150868	198896
						70.1	101	141	194	255	312	352	507	657	851	1134	1487	1991	2673	3634	4733	6304	8241	10918	14570	19382	26228	36333	48500	64696	85676	113783	153127	201822
N	30	60	120	180	240	71.5	103	143	196	259	317	357	514	667	864	1151	1510	2020	2713	3688	4806	6394	8361	11077	14783	19665	26612	36860	49200	65643	86923	115444	155386	204747
						72.9	105	145	199	263	322	363	521	677	876	1168	1532	2060	2754	3741	4879	6485	8481	11237	14996	19948	26996	37386	49901	66590	88170	117106	157645	207672
						74.3	106	147	202	268	327	369	528	686	889	1185	1555	2079	2795	3794	4952	6575	8602	11397	15209	20231	27380	37913	50602	67537	89417	118768	159903	210597
						75.7	108	149	205	272	331	374	535	696	901	1202	1578	2108	2835	3848	5025	6665	8722	11556	15422	20514	27764	38440	51302	68485	90664	120429	162162	213523
E	30	60	120	180	240	77.1	110	151	208	276	336	380	542	706	914	1219	1601	2138	2876	3901	5098	6756	8842	11716	15635	20797	28148	38966	52003	69432	91911	122091	164421	216448
						78.5	112	153	210	280	341	385	549	716	926	1236	1624	2167	2917	3954	5170	6846	8963	11875	15848	21080	28532	39493	52703	70379	93157	123753	166680	219373
						79.9	113	155	213	285	346	391	556	726	939	1253	1647	2197	2957	4008	5243	6937	9083	12035	16061	21363	28916	40020	53404	71326	94404	125414	168939	222298
						81.3	115	158	216	289	351	397	563	735	952	1270	1670	2226	2998	4061	5316	7027	9203	12194	16274	21646	29299	40546	54104	72273	95651	127076	171198	225224
MAX	35	70	140	210	280	82.7	117	160	219	293	356	402	570	745	964	1287	1693	2256	3039	4114	5389	7117	9323	12354	16488	21929	29683	41073	54805	73221	96898	128737	173457	228149
						84.1	119	162	222	297	361	408																						

# VARIABLE EFFORT SUPPORT LOAD SELECTION CHART

kgf

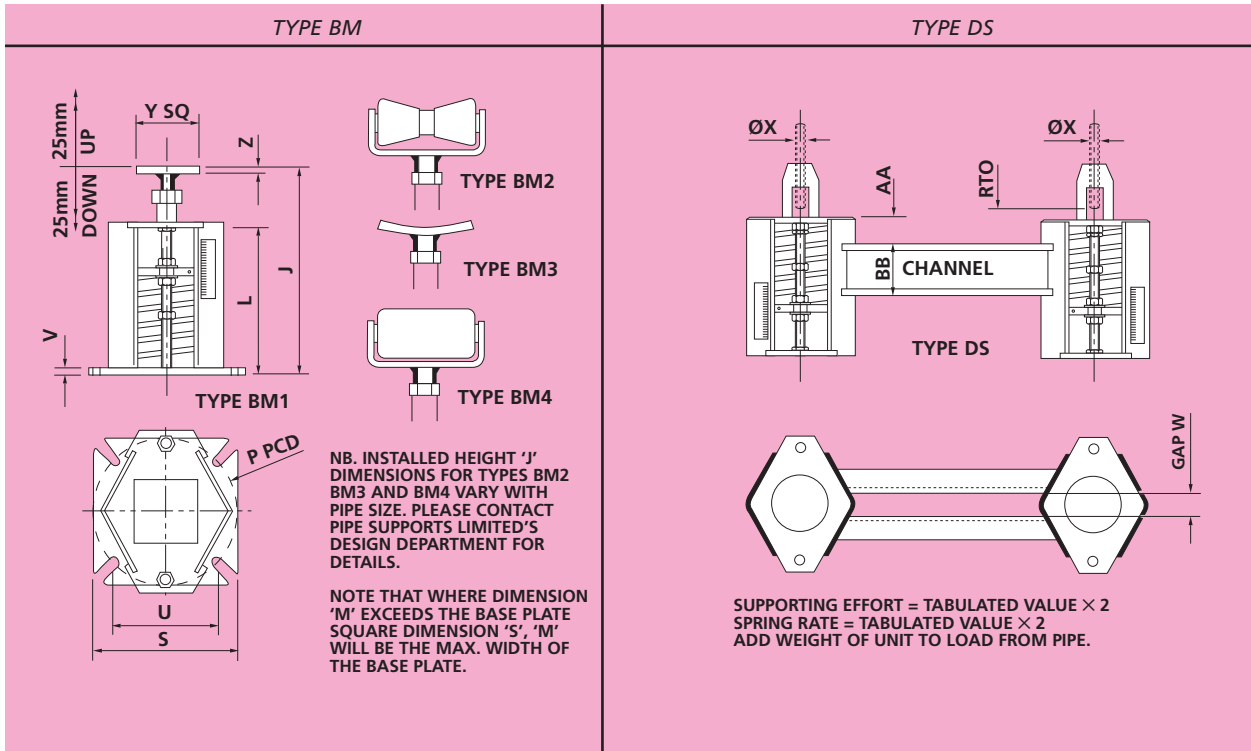
MOVEMENT mm					SPRING SIZE																													
	V1	V2	V3	V4	V5	1	2	3	4	5	6	7	8	9	10	11	12	13	14	15	16	17	18	19	20	21	22	23	24	25	26	27	28	29
MIN	0	0	0	0	0	2.72	4.76	7.7	10.9	12.7	16.3	18.1	29.5	36.0	47.0	62.0	79.0	110	144	202	252	357	460	609	812	1082	1461	2040	2731	3603	4795	6350	8474	11333
						2.86	4.94	7.91	11.2	13.1	16.8	18.7	30.2	37.0	48.3	63.7	81.3	113	148	207	259	366	472	625	834	1111	1500	2094	2802	3700	4922	6519	8704	11631
						3.01	5.12	8.13	11.5	13.6	17.3	19.2	30.9	38.0	49.6	65.5	83.7	116	152	213	267	375	485	642	855	1140	1539	2147	2874	3796	5049	6689	8935	11930
						3.15	5.30	8.34	11.8	14.0	17.8	19.8	31.6	39.0	50.8	67.2	86.0	119	156	218	274	385	497	658	877	1169	1578	2201	2945	3893	5176	6858	9165	12228
W	5	20	30	40	40	3.43	5.66	8.77	12.3	14.8	18.8	21.0	33.1	41.0	53.4	70.7	90.7	125	165	229	289	403	521	690	921	1226	1657	2309	3088	4086	5431	7197	9626	12824
						3.58	5.83	8.99	12.6	15.3	19.3	21.5	33.8	42.0	54.7	72.4	93.0	128	169	235	297	412	534	707	942	1255	1696	2362	3160	4183	5558	7367	9856	13123
						3.72	6.01	9.20	12.9	15.7	19.8	22.1	34.5	43.0	56.0	74.1	95.4	131	173	240	304	422	546	723	964	1284	1735	2416	3231	4279	5685	7536	10086	13421
						3.86	6.19	9.42	13.2	16.1	20.3	22.7	35.2	44.0	57.3	75.9	97.7	134	177	246	312	431	558	739	986	1313	1774	2470	3303	4376	5812	7706	10317	13719
O	10	20	30	40	80	4.15	6.55	9.85	13.8	17.0	21.3	23.8	36.6	46.0	59.8	79.3	102	140	185	256	326	449	583	772	1029	1371	1852	2577	3445	4569	6066	8044	10777	14316
						4.29	6.73	10.1	14.0	17.4	21.8	24.4	37.4	47.0	61.1	81.0	105	143	190	262	334	458	595	788	1051	1399	1892	2631	3517	4665	6194	8214	11008	14614
						4.44	6.91	10.3	14.3	17.9	22.3	25.0	38.1	48.0	62.4	82.8	107	146	194	267	341	468	607	804	1073	1428	1931	2684	3588	4762	6321	8383	11238	14913
						4.58	7.09	10.5	14.6	18.3	22.8	25.6	38.8	49.0	63.7	84.5	109	149	198	273	349	477	619	820	1095	1457	1970	2738	3660	4859	6448	8553	11468	15211
R	10	20	30	40	80	4.72	7.27	10.7	14.9	18.7	23.3	26.1	39.5	50.0	65.0	86.2	112	152	202	278	356	486	632	837	1116	1486	2009	2792	3731	4955	6575	8722	11699	15509
						4.86	7.45	10.9	15.2	19.1	23.8	26.7	40.2	51.0	66.2	88.0	114	155	206	284	364	495	644	853	1138	1515	2048	2846	3803	5052	6702	8892	11929	15807
						5.01	7.62	11.1	15.5	19.6	24.3	27.3	40.9	52.0	67.5	89.7	116	158	210	289	371	505	656	869	1160	1544	2087	2899	3874	5148	6829	9061	12159	16106
						5.15	7.80	11.3	15.8	20.0	24.8	27.8	41.6	53.0	68.8	91.4	119	161	214	294	378	514	669	886	1181	1573	2126	2953	3945	5245	6956	9230	12390	16404
K	15	30	40	60	120	5.29	7.98	11.6	16.0	20.4	25.3	28.4	42.4	54.0	70.1	93.2	121	164	219	300	386	523	681	902	1203	1601	2166	3007	4017	5342	7084	9400	12620	16702
						5.44	8.16	11.8	16.3	20.9	25.8	29.0	43.1	55.0	71.4	94.9	123	167	223	305	393	532	693	918	1225	1630	2205	3060	4088	5438	7211	9569	12850	17001
						5.58	8.34	12.0	16.6	21.3	26.3	29.6	43.8	56.0	72.7	96.6	126	170	227	311	401	541	705	934	1247	1659	2244	3114	4160	5535	7338	9739	13081	17299
						5.72	8.52	12.2	16.9	21.7	26.8	30.1	44.5	57.0	73.9	98.4	128	173	231	316	408	551	718	951	1268	1688	2283	3168	4231	5631	7465	9908	13311	17597
G	20	40	80	120	160	5.86	8.70	12.4	17.2	22.1	27.3	30.7	45.2	58.0	75.2	100	131	176	235	322	416	560	730	967	1290	1717	2322	3222	4303	5728	7592	10078	13542	17895
						6.01	8.88	12.6	17.5	22.6	27.8	31.3	45.9	59.0	76.5	102	133	179	239	327	423	569	742	983	1312	1746	2361	3275	4374	5824	7719	10247	13772	18194
						6.15	9.06	12.9	17.7	23.0	28.3	31.9	46.7	60.0	77.8	104	135	182	244	333	431	578	754	999	1334	1774	2401	3329	4446	5921	7847	10417	14002	18492
						6.29	9.24	13.1	18.0	23.4	28.8	32.4	47.4	61.0	79.1	105	138	185	248	338	438	587	767	1016	1355	1803	2440	3383	4517	6018	7974	10586	14233	18790
R	25	50	100	150	200	6.44	9.41	13.3	18.3	23.9	29.3	33.0	48.1	62.0	80.4	107	140	188	252	343	445	597	779	1032	1377	1832	2479	3436	4588	6114	8101	10755	14463	19089
						6.58	9.59	13.5	18.6	24.3	29.8	33.6	48.8	63.0	81.6	109	142	191	256	349	453	606	791	1048	1399	1861	2518	3490	4660	6211	8228	10925	14693	19387
						6.72	9.77	13.7	18.9	24.7	30.3	34.1	49.5	64.0	82.9	110	145	194	260	354	460	615	804	1065	1420	1890	2557	3544	4731	6307	8355	11094	14924	19685
						6.86	9.95	13.9	19.2	25.1	30.8	34.7	50.2	65.0	84.2	112	147	197	264	360	468	624	816	1081	1442	1919	2596	3598	4803	6404	8482	11264	15154	19983
A	30	60	120	180	240	7.01	10.1	14.1	19.5	25.6	31.3	35.3	50.9	66.0	85.5	114	149	200	268	365	475	634	828	1097	1464	1948	2635	3651	4874	6501	8609	11433	15384	20282
						7.15	10.3	14.4	19.7	26.0	31.8	35.9	51.7	67.0	86.8	116	152	203	273	371	483	643	840	1113	1486	1976	2675	3705	4946	6597	8737	11603	15615	20580
						7.29	10.5	14.6	20.0	26.4	32.3	36.4	52.4	68.0	88.1	117	154	206	277	376	490	652	853	1130	1507	2005	2714	3759	5017	6694	8864	11772	15845	20878
						7.44	10.7	14.8	20.3	26.9	32.8	37.0	53.1	69.0	89.3	119	156	209	281	381	497	661	865	1146	1529	2034	2753	3812	5088	6790	8991	11941	16075	21177
N	30	60	120	180	240	7.58	10.8	15.0	20.6	27.3	33.3	37.6	53.8	70.0	90.6	121	159	212	285	387	505	670	877	1162	1551	2063	2792	3866	5160	6887	9118	12111	16306	21475
						7.72	11.0	15.2	20.9	27.7	33.8	38.2	54.5	71.0	91.9	123	161	215	289	392	512	680	889	1178	1573	2092	2831	3920	5231	6983	9245	12280	16536	21773
						7.87	11.2	15.4	21.2	28.2	34.3	38.7	55.2	72.0	93.2	124	163	218	293	398	520	689	902	1195	1594	2121	2870	3973	5303	7080	9372	12450	16766	22072
						8.01	11.4	15.6	21.5	28.6	34.8	39.3	55.9	73.0	94.5	126	166	221	297	403	527	698	914	1211	1616	2150	2909	4027	5374	7177	9499	12619	16997	22370
E	35	70	140	210	280	8.15	11.6	15.9	21.7	29.0	35.3	39.9	56.7	74.0	95.8	128	168	224	302	409	535	707	926	1227	1638	2178	2949	4081	5446	7273	9627	12789	17227	22668
						8.29	11.7	16.1	22.0	29.4	35.8	40.5	57.4	75.0	97.0	130	170	227	306	414	542	717	938	1243	1660	2207	2988	4135	5517	7370	9754	12958	17457	22966
						8.44	11.9	16.3	22.3	29.9	36.3	41.0	58.1	76.0	98.3	131	173	230	310	420	550	726	951	1260	1681	2236	3027	4188	5589	7466	9881	13128	17688	23265
						8.58	12.1	16.5	22.6	30.3	36.8	41.6	58.8	77.0	99.6	133	175	233	314	425	557	735	963	1276	1703	2265	3066	4242	5660	7563	10008	13297	17918	23563
OVERTRAVEL	40	80	160	240	320	8.72	12.3	16.7	22.9	30.7	37.3	42.2	59.5	78.0	101	135	177	236	318	430	564	744	975	1292	1725	2294	3105	4296	5731	7660	10135	13466	18148	23861
						8.87	12.5	16.9	23.2	31.2	37.8	42.7	60.2	79.0	102	136	180	239	322	436	572	753	988	1309	1746	2323	3144	4349	5803	7756	10262	13636	18379	24160
						9.01	12.6	17.1	23.5	31.6	38.3	43.3	60.9	80.0	103	138	182	242	326	441	579	763	1000											

# RANGE V4



SUPPORT SIZE	ROD DIA	BODY DIMENSIONS					RTO AT MIN LOAD (mm)			DEPTH OF THR'D	LUG DIMENSIONS TYPES TS2 & TS3						WEIGHTS kgf			J AT MIN LOAD mm	WEIGHT kgf	J AT MIN LOAD mm	WEIGHT kgf
		X mm	D mm	K mm	M mm	L mm (not BM)	TS1	TS2	TS3		A mm	E mm	F mm	G mm	H mm	T mm	TS1	TS2	TS3				
V4-1	M12	149.2	156.2	155	429	427	459	459	12	20	20	30	14	6	7.6	7.7	7.8	669	6.6	378	6.7		
V4-2	M12	149.2	156.2	155	457	455	487	487	12	20	20	30	14	6	8.1	8.1	8.4	697	7.0	406	7.1		
V4-3	M12	149.2	156.2	155	480	478	510	510	12	20	20	30	14	6	8.3	8.4	8.5	720	7.1	429	7.3		
V4-4	M12	149.2	156.2	155	487	485	517	517	12	20	20	30	14	6	8.4	8.5	8.7	727	7.3	436	7.4		
V4-5	M12	149.2	156.2	155	476	474	506	506	12	20	20	30	14	6	8.4	8.5	8.7	716	7.3	425	7.4		
V4-6	M12	149.2	156.2	155	486	484	516	516	12	20	20	30	14	6	8.4	8.5	8.7	726	7.3	435	7.4		
V4-7	M12	149.2	156.2	155	492	490	522	522	12	20	20	30	14	6	8.7	8.8	9.0	732	7.6	442	7.7		
V4-8	M12	149.2	156.2	155	528	526	558	558	12	20	20	30	14	6	9.2	9.4	9.5	768	8.0	478	8.3		
V4-9	M12	149.2	156.2	155	544	542	574	574	12	20	20	30	14	6	9.8	9.9	10.1	784	8.5	493	8.7		
V4-10	M12	177.6	188.9	200	523	521	553	553	12	20	20	30	14	6	16.8	16.8	17.1	763	15.3	471	15.4		
V4-11	M12	177.6	188.9	200	532	530	562	562	12	20	20	30	14	6	17.2	17.4	17.5	772	15.7	480	16.0		
V4-12	M12	177.6	188.9	200	543	541	573	573	12	20	20	30	14	6	17.8	17.9	18.1	783	16.2	491	16.4		
V4-13	M12	177.6	188.9	200	568	566	604	604	12	25	30	36	18	6	18.5	18.6	18.9	808	16.9	516	17.1		
V4-14	M12	177.6	188.9	200	607	605	643	643	12	25	30	36	18	6	20.2	20.3	20.6	847	18.6	554	18.8		
V4-15	M12	177.6	188.9	200	682	680	718	718	12	25	30	36	18	6	23.7	23.9	24.1	922	22.1	630	22.3		
V4-16	M16	246.2	263.5	320	578	575	628	628	16	30	35	50	22	10	42.0	42.4	43.0	818	37.8	517	38.1		
V4-17	M16	246.2	263.5	320	633	630	683	683	16	30	35	50	22	10	47.0	47.5	48.0	873	42.7	572	43.0		
V4-18	M16	246.2	263.5	320	675	672	725	725	16	30	35	50	22	10	50.4	51.0	51.4	915	46.1	614	46.3		
V4-19	M20	246.2	263.5	320	709	705	769	769	20	35	45	60	26	10	61.3	62.2	63.0	949	53.5	639	53.8		
V4-20	M24	246.2	263.5	320	778	773	848	848	24	40	55	70	33	12	70.0	71.4	72.9	1018	61.3	704	61.9		
V4-21	M30	246.2	263.5	320	863	857	943	943	30	45	55	80	40	15	86.2	88.2	90.4	1103	72.2	779	73.6		
V4-22	M30	248.2	263.5	330	970	964	1050	1050	30	45	55	80	40	15	107	109	111	1210	92.0	884	93.4		
V4-23	M36	248.2	263.5	330	1129	1122	1219	1219	36	60	75	90	46	15	141	144	147	1369	122	1032	122		
V4-24	M42	248.2	263.5	330	1343	1335	1448	1448	42	70	85	105	52	20	190	196	202	1583	164	1239	164		
V4-25	M48	375.8	408.5	500	1165	1155	1285	1285	48	75	100	120	60	20	329	336	344	1405	290	1056	293		
V4-26	M56	375.8	408.5	500	1367	1356	1507	1507	56	80	115	140	68	20	396	405	416	1607	347	1245	351		
V4-27	M64	379.2	412.5	520	1572	1559	1727	1727	64	90	130	155	76	25	501	514	531	1812	435	1434	445		
V4-28	M72	379.2	412.5	530	1882	1868	2037	2037	72	90	130	155	76	25	664	676	692	2122	571	1726	584		
V4-29	M80	379.2	412.5	540	2200	2184	2375	2375	80	100	150	175	85	25	853	868	889	2440	724	2031	745		

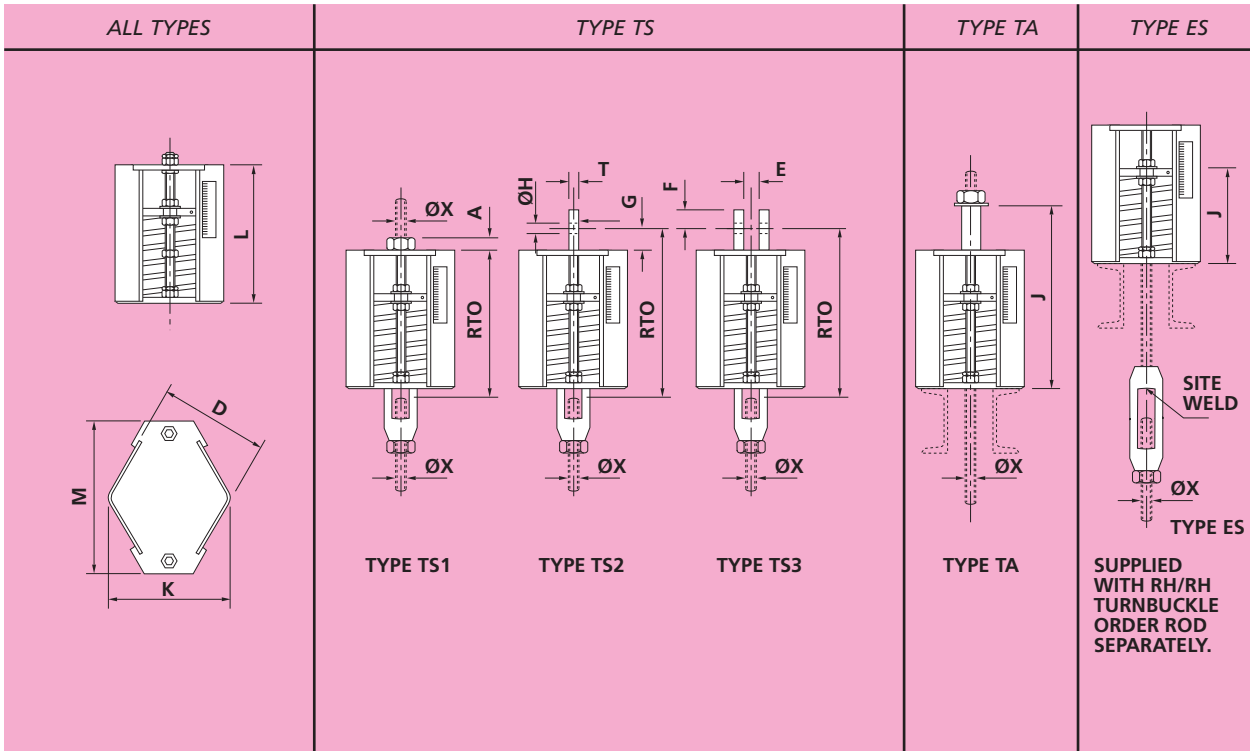
# RANGE V4



SUPPORT SIZE	J AT MIN. LOAD TYPE BM1 mm	BODY L'TH L mm	BASE PLATE E SQ. S mm	BASE PLATE E PCD P mm	BASE BOLT CRS. SQ. U mm	BASE BOLT SIZE V mm	BASE PLATE E Y mm	LOAD PAD SQ. Z mm	LOAD PAD THK TYPE BM1 kgf	WEIGHT RTO AT MIN LOAD mm	DIM. MW mm	GAP mm	RSC SIZE			WEIGHT kgf			
													900 MAX CENTRES	1300 MAX CENTRES	1800 MAX CENTRES	@ 900 CRS	@ 1300 CRS	@ 1800 CRS	
V4-1	701	416	156	170	120	M16	6	75	6	5.7	25	25	18	51 x 25	51 x 25	51 x 25	20.6	23.3	26.7
V4-2	729	444	156	170	120	M16	6	75	6	6.0	25	25	18	51 x 25	51 x 25	51 x 25	21.5	24.2	27.7
V4-3	752	467	156	170	120	M16	6	75	6	6.2	25	25	18	51 x 25	51 x 25	51 x 25	21.9	24.7	28.1
V4-4	759	474	156	170	120	M16	6	75	6	6.2	25	25	18	51 x 25	51 x 25	51 x 25	22.1	24.9	28.3
V4-5	748	463	156	170	120	M16	6	75	6	6.3	25	25	18	51 x 25	51 x 25	51 x 25	22.1	24.8	28.3
V4-6	758	473	156	170	120	M16	6	75	6	6.3	25	25	18	51 x 25	51 x 25	51 x 25	22.3	25.0	28.4
V4-7	765	480	156	170	120	M16	6	75	6	6.6	25	25	18	51 x 25	51 x 25	51 x 25	22.8	25.6	29.0
V4-8	801	516	156	170	120	M16	6	75	6	6.9	25	25	18	51 x 25	51 x 25	51 x 25	23.8	26.6	30.0
V4-9	816	531	156	170	120	M16	6	75	6	7.3	25	25	18	51 x 25	51 x 25	51 x 25	24.9	27.7	31.1
V4-10	805	521	200	205	145	M20	10	75	6	15.3	25	25	22	76 x 38	76 x 38	76 x 38	43.4	48.8	55.5
V4-11	814	530	200	205	145	M20	10	75	6	15.7	25	25	22	76 x 38	76 x 38	76 x 38	44.4	49.8	56.5
V4-12	825	541	200	205	145	M20	10	75	6	16.1	25	25	22	76 x 38	76 x 38	76 x 38	45.5	50.9	57.6
V4-13	856	566	200	205	145	M20	10	75	10	17.6	25	25	26	76 x 38	76 x 38	76 x 38	47.0	52.3	59.0
V4-14	894	604	200	205	145	M20	10	75	10	19.0	25	25	26	76 x 38	76 x 38	76 x 38	50.3	55.6	62.3
V4-15	970	680	200	205	145	M20	10	75	10	21.8	25	25	26	76 x 38	76 x 38	76 x 38	57.4	62.7	69.4
V4-16	864	573	270	280	198	M20	12	100	12	39.8	25	25	33	76 x 38	102 x 51	102 x 51	92.8	106	117
V4-17	919	628	270	280	198	M20	12	100	12	44.0	25	25	33	76 x 38	102 x 51	102 x 51	103	116	127
V4-18	961	670	270	280	198	M20	12	100	12	46.9	25	25	33	76 x 38	102 x 51	102 x 51	110	123	134
V4-19	988	695	270	287	203	M20	12	120	12	55.3	25	25	40	102 x 51	127 x 64	127 x 64	136	154	169
V4-20	1053	760	270	287	203	M20	12	120	12	61.5	25	25	40	102 x 51	127 x 64	127 x 64	154	172	187
V4-21	1128	835	270	287	203	M20	12	120	12	70.8	25	25	40	102 x 51	127 x 64	127 x 64	186	204	218
V4-22	1236	940	276	294	208	M20	12	150	15	89.2	25	25	52	152 x 76	203 x 76	203 x 76	237	264	288
V4-23	1377	1081	300	308	218	M20	12	150	15	111.3	25	25	52	152 x 76	203 x 76	203 x 76	306	333	357
V4-24	1586	1288	300	308	218	M20	20	150	15	152.6	25	25	52	152 x 76	203 x 76	203 x 76	405	431	455
V4-25	1418	1111	430	453	320	M24	20	200	20	280.0	25	25	60	203 x 89	254 x 89	305 x 89	689	724	777
V4-26	1606	1295	430	453	320	M24	20	200	20	324.8	25	25	70	203 x 89	254 x 89	305 x 89	823	858	911
V4-27	1802	1487	440	467	330	M24	20	200	20	413.0	25	25	80	203 x 89	254 x 89	305 x 89	1031	1067	1120
V4-28	2107	1782	460	481	340	M24	25	200	25	546.0	25	25	80	305 x 89	305 x 102	381 x 102	1369	1411	1483
V4-29	2432	2096	480	495	350	M24	30	200	30	701.4	25	25	90	305 x 89	305 x 102	381 x 102	1746	1788	1861

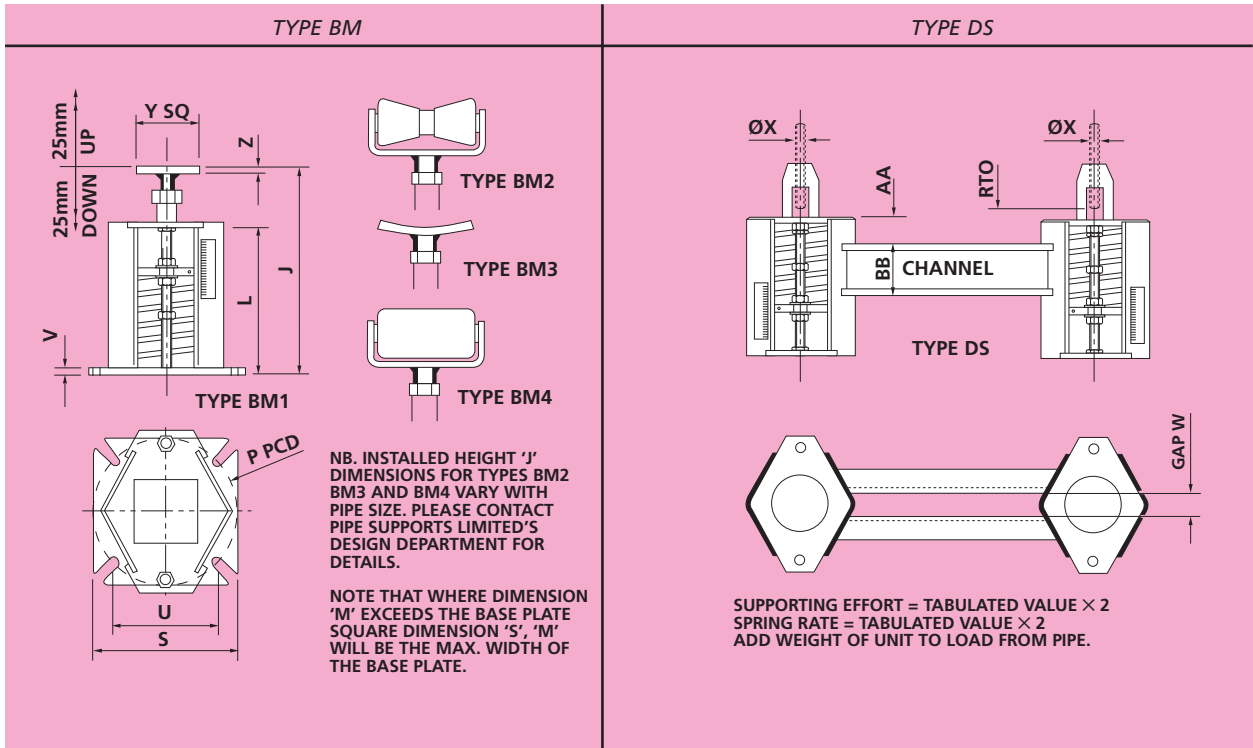


# RANGE V5



SUPPORT SIZE	ROD DIA	BODY DIMENSIONS					RTO AT MIN LOAD (mm)			DEPTH OF THRD	LUG DIMENSIONS TYPES TS2 & TS3						WEIGHTS kgf			J AT MIN LOAD mm	WEIGHT kgf	J AT MIN LOAD mm	WEIGHT kgf
		X mm	D mm	K mm	M mm	L mm (not BM)	TS1	TS2	TS3		A mm	E mm	F mm	G mm	H mm	T mm	TS1	TS2	TS3				
V5-1	M12	149.2	156.2	155	556	554	586	586	12	20	20	30	14	6	9.2	9.4	9.5	876	8.0	505	8.2		
V5-2	M12	149.2	156.2	155	598	596	628	628	12	20	20	30	14	6	9.9	9.9	10.2	918	8.5	547	8.7		
V5-3	M12	149.2	156.2	155	626	624	656	656	12	20	20	30	14	6	10.0	10.2	10.4	946	8.7	575	8.8		
V5-4	M12	149.2	156.2	155	628	626	658	658	12	20	20	30	14	6	10.2	10.4	10.5	948	8.8	577	9.0		
V5-5	M12	149.2	156.2	155	614	612	644	644	12	20	20	30	14	6	10.2	10.4	10.5	934	8.8	563	9.0		
V5-6	M12	149.2	156.2	155	624	622	654	654	12	20	20	30	14	6	10.2	10.4	10.5	944	8.8	573	9.0		
V5-7	M12	149.2	156.2	155	640	638	670	670	12	20	20	30	14	6	10.5	10.7	10.9	960	9.2	590	9.4		
V5-8	M12	149.2	156.2	155	680	678	710	710	12	20	20	30	14	6	11.2	11.4	11.6	1000	9.7	630	10.0		
V5-9	M12	149.2	156.2	155	708	706	738	738	12	20	20	30	14	6	11.9	12.1	12.2	1028	10.4	657	10.5		
V5-10	M12	177.6	188.9	200	670	668	700	700	12	20	20	30	14	6	20.4	20.4	20.7	990	18.5	618	18.7		
V5-11	M12	177.6	188.9	200	682	680	712	712	12	20	20	30	14	6	20.9	21.1	21.3	1002	19.0	630	19.4		
V5-12	M12	177.6	188.9	200	696	694	726	726	12	20	20	30	14	6	21.6	21.8	21.9	1016	19.7	644	19.9		
V5-13	M12	177.6	188.9	200	728	726	764	764	12	25	30	36	18	6	22.4	22.6	23.0	1048	20.6	676	20.7		
V5-14	M12	177.6	188.9	200	780	778	816	816	12	25	30	36	18	6	24.5	24.7	25.0	1100	22.6	727	22.8		
V5-15	M12	177.6	188.9	200	878	876	914	914	12	25	30	36	18	6	28.7	29.1	29.2	1198	26.9	826	27.0		
V5-16	M16	246.2	263.5	320	714	711	764	764	16	30	35	50	22	10	51.0	51.5	52.2	1034	45.9	653	46.2		
V5-17	M16	246.2	263.5	320	781	778	831	831	16	30	35	50	22	10	57.1	57.6	58.3	1101	51.9	720	52.2		
V5-18	M16	246.2	263.5	320	822	819	872	872	16	30	35	50	22	10	61.2	61.9	62.4	1142	55.9	761	56.3		
V5-19	M20	246.2	263.5	320	899	895	959	959	20	35	45	60	26	10	74.5	75.5	76.5	1219	64.9	829	65.3		
V5-20	M24	246.2	263.5	320	987	982	1057	1057	24	40	55	70	33	12	85.0	86.7	88.6	1307	74.5	913	75.1		
V5-21	M30	246.2	263.5	320	1095	1089	1175	1175	30	45	55	80	40	15	105	107	110	1415	87.7	1011	89.4		
V5-22	M30	248.2	263.5	330	1231	1225	1311	1311	30	45	55	80	40	15	129	132	134	1551	111.7	1145	113.4		
V5-23	M36	248.2	263.5	330	1436	1429	1526	1526	36	60	75	90	46	15	172	175	179	1756	147.9	1339	148.2		
V5-24	M42	248.2	263.5	330	1704	1696	1809	1809	42	70	85	105	52	20	231	238	245	2024	198.9	1600	198.9		
V5-25	M48	375.8	408.5	500	1449	1439	1569	1569	48	75	100	120	60	20	400	408	418	1769	351.9	1340	355.3		
V5-26	M56	375.8	408.5	500	1708	1697	1848	1848	56	80	115	140	68	20	481	491	505	2028	421.6	1586	426.7		
V5-27	M64	379.2	412.5	520	1970	1957	2125	2125	64	90	130	155	76	25	609	624	644	2290	528.7	1832	540.6		
V5-28	M72	379.2	412.5	530	2367	2353	2522	2522	72	90	130	155	76	25	806	821	840	2687	693.6	2211	708.9		
V5-29	M80	379.2	412.5	540	2778	2762	2953	2953	80	100	150	175	85	25	1035	1054	1080	3098	879	2609	904		

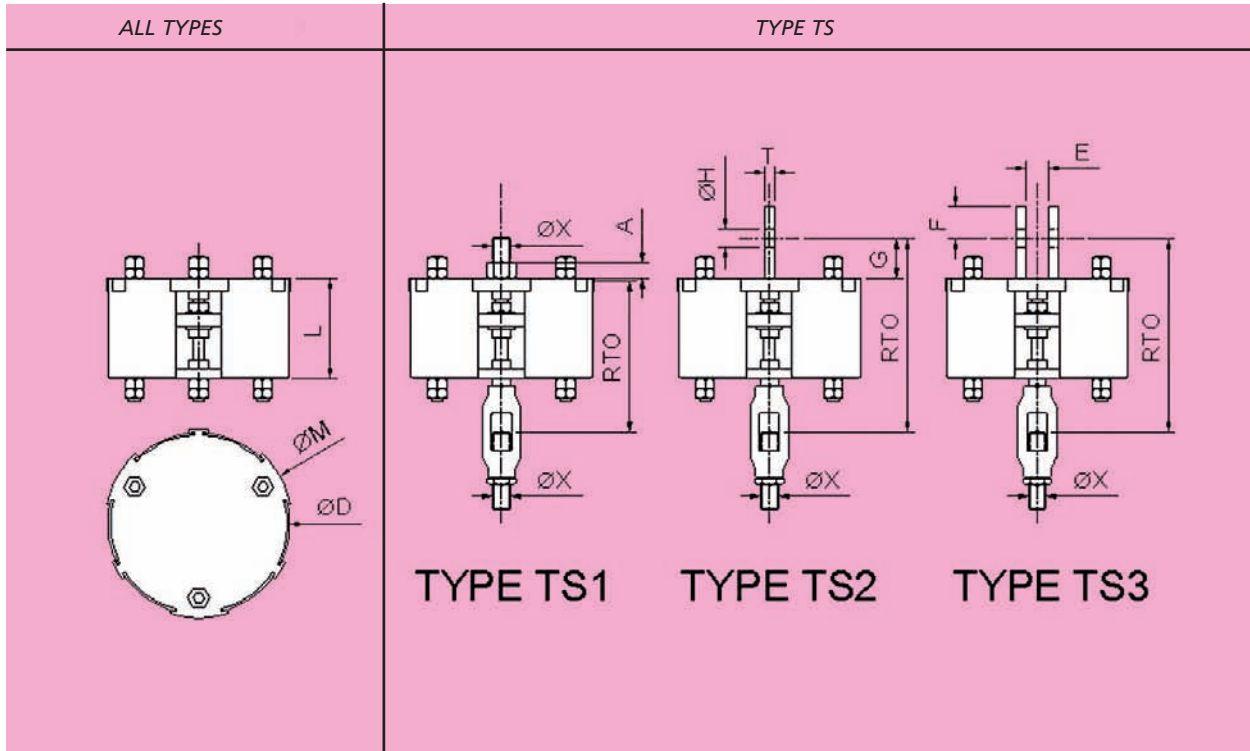
# RANGE V5



SUPPORT SIZE	J AT MIN. LOAD TYPE BM1 mm	BODY L'TH L mm	BASE PLATE SQ. S mm	BASE PLATE PCD P mm	BASE BOLT CRS. SQ. U mm	BASE BOLT SIZE V mm	BASE PLATE THK Y mm	LOAD PAD SQ. Z mm	LOAD PAD THK BM1 kgf	WEIGHT TYPE RTO AT MIN LOAD mm	DIM. MW mm	GAP mm	RSC SIZE			WEIGHT kgf			
													900 MAX CENTRES	1300 MAX CENTRES	1800 MAX CENTRES	@ 900 CRS	@ 1300 CRS	@ 1800 CRS	
V5-1	910	543	156	169.7	120	M16	6	75	6	7.0	25	25	18	51 x 25	51 x 25	51 x 25	23.9	26.7	30.2
V5-2	952	585	156	169.7	120	M16	6	75	6	7.3	25	25	18	51 x 25	51 x 25	51 x 25	25.0	27.7	31.5
V5-3	980	613	156	169.7	120	M16	6	75	6	7.5	25	25	18	51 x 25	51 x 25	51 x 25	25.5	28.4	31.9
V5-4	982	615	156	169.7	120	M16	6	75	6	7.5	25	25	18	51 x 25	51 x 25	51 x 25	25.7	28.6	32.2
V5-5	968	601	156	169.7	120	M16	6	75	6	7.7	25	25	18	51 x 25	51 x 25	51 x 25	25.7	28.5	32.2
V5-6	978	611	156	169.7	120	M16	6	75	6	7.7	25	25	18	51 x 25	51 x 25	51 x 25	25.9	28.7	32.3
V5-7	995	628	156	169.7	120	M16	6	75	6	8.0	25	25	18	51 x 25	51 x 25	51 x 25	26.5	29.4	33.0
V5-8	1035	668	156	169.7	120	M16	6	75	6	8.3	25	25	18	51 x 25	51 x 25	51 x 25	27.7	30.7	34.2
V5-9	1062	695	156	169.7	120	M16	6	75	6	8.8	25	25	18	51 x 25	51 x 25	51 x 25	29.1	32.0	35.6
V5-10	1034	668	200	205.1	145	M20	10	75	6	18.5	25	25	22	76 x 38	76 x 38	76 x 38	50.6	56.0	63.0
V5-11	1046	680	200	205.1	145	M20	10	75	6	19.0	25	25	22	76 x 38	76 x 38	76 x 38	51.8	57.4	64.2
V5-12	1060	694	200	205.1	145	M20	10	75	6	19.6	25	25	22	76 x 38	76 x 38	76 x 38	53.1	58.6	65.5
V5-13	1098	726	200	205.1	145	M20	10	75	10	21.4	25	25	26	76 x 38	76 x 38	76 x 38	54.9	60.3	67.3
V5-14	1149	777	200	205.1	145	M20	10	75	10	23.1	25	25	26	76 x 38	76 x 38	76 x 38	59.0	64.4	71.4
V5-15	1248	876	200	205.1	145	M20	10	75	10	26.5	25	25	26	76 x 38	76 x 38	76 x 38	67.6	73.1	80.0
V5-16	1082	709	270	280	198	M20	12	100	12	48.3	25	25	33	76 x 38	102 x 51	102 x 51	110.8	124.5	135.5
V5-17	1149	776	270	280	198	M20	12	100	12	53.4	25	25	33	76 x 38	102 x 51	102 x 51	122.9	136.7	147.7
V5-18	1190	817	270	280	198	M20	12	100	12	57.0	25	25	33	76 x 38	102 x 51	102 x 51	131.3	145.2	156.4
V5-19	1260	885	270	287.1	203	M20	12	120	12	67.2	25	25	40	102 x 51	127 x 64	127 x 64	162.3	181.2	197.0
V5-20	1344	969	270	287.1	203	M20	12	120	12	74.6	25	25	40	102 x 51	127 x 64	127 x 64	184.0	203.4	219.9
V5-21	1442	1067	270	287.1	203	M20	12	120	12	86.0	25	25	40	102 x 51	127 x 64	127 x 64	223.2	243.2	259.4
V5-22	1579	1201	276	294.2	208	M20	12	150	15	108.3	25	25	52	152 x 76	203 x 76	203 x 76	282.5	311.5	337.7
V5-23	1766	1388	300	308.3	218	M20	12	150	15	135.2	25	25	52	152 x 76	203 x 76	203 x 76	366.4	396.2	423.0
V5-24	2029	1649	300	308.3	218	M20	20	150	15	185.3	25	25	52	152 x 76	203 x 76	203 x 76	486.4	518.0	547.6
V5-25	1784	1395	430	452.5	320	M24	20	200	20	340.0	25	25	60	203 x 89	254 x 89	305 x 89	830	872	933
V5-26	2029	1636	430	452.5	320	M24	20	200	20	394.4	25	25	70	203 x 89	254 x 89	305 x 89	993	1037	1101
V5-27	2282	1885	440	466.7	330	M24	20	200	20	501.5	25	25	80	203 x 89	254 x 89	305 x 89	1246	1295	1365
V5-28	2674	2267	460	480.8	340	M24	25	200	25	663.0	25	25	80	305 x 89	305 x 102	381 x 102	1654	1708	1796
V5-29	3092	2674	480	495	350	M24	30	200	30	851.7	25	25	90	305 x 89	305 x 102	381 x 102	2112	2169	2263



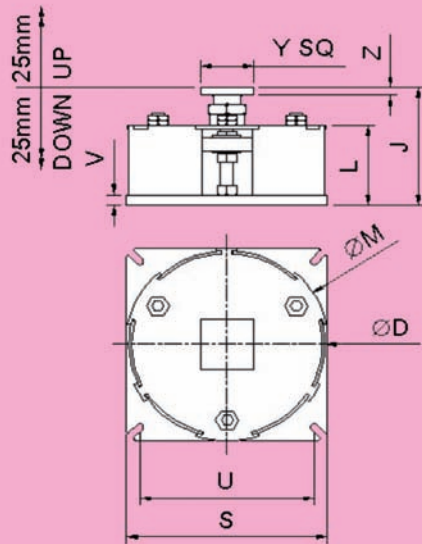
# HIGH LOAD VARIABLES



SUPPORT SIZE	ROD DIA X mm	BODY DIMENSIONS			RTO AT MIN LOAD (mm)			DEPTH OF THR'D A mm	LUG DIMENSIONS TYPES TS2 & TS3					WEIGHTS kgf		
		ØD mm	ØM mm	L mm (not BM)	TS1	TS2	TS3		E mm	F mm	G mm	H mm	T mm	TS1	TS2	TS3
V1-H1	M56	630	657	353	539	690	690	56	80	115	140	68	20	386	393	400
V1-H2	M64	630	657	400	584	752	752	64	90	130	155	76	25	472	482	493
V1-H3	M72	730	757	406	577	766	766	72	100	150	175	85	25	633	645	659
V1-H4	M80	730	757	469	638	854	854	80	100	160	200	95	40	732	755	781
V1-H5	M90	730	757	479	666	884	884	90	100	160	200	95	40	814	834	860
V1-H6	M90	730	757	514	701	919	919	90	100	160	200	95	40	872	892	918
V1-H7	M100	780	807	537	722	957	957	100	110	170	215	105	40	1044	1066	1096
V2-H1	M56	730	757	431	622	773	773	56	80	115	140	68	20	532	538	546
V2-H2	M64	730	757	485	674	842	842	64	90	130	155	76	25	654	664	675
V2-H3	M72	730	757	528	704	893	893	72	100	150	175	85	25	702	714	728
V2-H4	M80	730	757	611	785	1001	1001	80	100	160	200	95	40	816	839	865
V2-H5	M90	730	757	621	813	1031	1031	90	100	160	200	95	40	909	929	955
V2-H6	M90	730	757	681	873	1091	1091	90	100	160	200	95	40	978	998	1024
V2-H7	M100	780	807	704	894	1129	1129	100	110	170	215	105	40	1167	1189	1219
V3-H1	M56	730	757	634	835	986	986	56	80	115	140	68	20	619	625	633
V3-H2	M64	730	757	717	916	1084	1084	64	90	130	155	76	25	767	777	788
V3-H3	M72	730	757	790	976	1165	1165	72	100	150	175	85	25	848	860	875
V3-H4	M80	730	757	918	1102	1318	1318	80	100	160	200	95	40	994	1018	1044
V3-H5	M90	730	757	928	1130	1348	1348	90	100	160	200	95	40	1111	1131	1157
V3-H6	M90	730	757	1041	1243	1461	1461	90	100	160	200	95	40	1215	1235	1261
V3-H7	M100	780	807	1064	1264	1499	1499	100	110	170	215	105	40	1441	1463	1493

# HIGH LOAD VARIABLES

TYPE BM1



All TYPES			TYPE BM1								
SUPPORT SIZE	BODY DIMENSIONS		J AT MIN. LOAD TYPE BM1	BODY L'TH L	BASE PLATE SQ. S	BASE BOLT CRS. SQ. U	BASE BOLT SIZE	BASE PLATE THK V	LOAD PAD SQ. Y	LOAD PAD THK Z	WEIGHT TYPE BM1 kgf
	Ø D	Ø M									
V1-H1	630	657	408	276	650	550	M24	35	200	25	326.0
V1-H2	630	657	449	313	650	550	M24	40	200	25	383.3
V1-H3	730	757	460	313	750	650	M24	40	200	30	519.0
V1-H4	730	757	508	361	750	650	M30	50	200	30	600.8
V1-H5	730	757	558	371	750	650	M30	50	200	30	646.8
V1-H6	730	757	595	396	750	650	M30	50	200	40	672.0
V1-H7	780	807	608	409	800	700	M30	60	200	40	818.1
V2-H1	730	757	526	354	750	650	M24	35	200	25	458.9
V2-H2	730	757	574	398	750	650	M24	40	200	25	545.8
V2-H3	730	757	622	435	750	650	M24	40	200	30	586.9
V2-H4	730	757	690	503	750	650	M30	50	200	30	681.9
V2-H5	730	757	740	513	750	650	M30	50	200	30	737.5
V2-H6	730	757	802	563	750	650	M30	50	200	40	772.9
V2-H7	780	807	815	576	800	700	M30	60	200	40	933.6
V3-H1	730	757	809	557	750	650	M24	35	200	25	543.6
V3-H2	730	757	886	630	750	650	M24	40	200	25	658.1
V3-H3	730	757	964	697	750	650	M24	40	200	30	729.9
V3-H4	730	757	1077	810	750	650	M30	50	200	30	853.4
V3-H5	730	757	1127	820	750	650	M30	50	200	30	929.0
V3-H6	730	757	1242	923	750	650	M30	50	200	40	996.7
V3-H7	780	807	1255	936	800	700	M30	60	200	40	1190.2

## SELECTION CHART FOR HIGH LOAD VARIABLE EFFORT SUPPORTS LOADS IN N

## SELECTION CHART FOR HIGH LOAD VARIABLE EFFORT SUPPORTS LOADS IN kgf

MOVEMENT mm				SPRING SIZE						
	V1	V2	V3	H1	H2	H3	H4	H5	H6	H7
				55741	74276	100293	120033	140039	160692	187474
				57233	76256	102980	123194	143726	164895	192378
				58725	78237	105667	126354	147413	169099	197282
				60216	80218	108354	129514	151099	173302	202186
				61708	82198	111042	132674	154786	177506	207090
MIN	0	0	0	63200	84179	113729	135834	158473	181709	211994
				64692	86160	116416	138994	162160	185913	216898
				66184	88140	119103	142154	165847	190116	221802
				67675	90121	121791	145314	169534	194319	226706
				69167	92102	124478	148475	173220	198523	231610
W	5	10	20	70659	94083	127165	151635	176907	202726	236514
				72151	96063	129852	154795	180594	206930	241418
				73643	98044	132540	157955	184281	211133	246322
				75134	100025	135227	161115	187968	215337	251226
				76626	102005	137914	164275	191654	219540	256130
				78118	103986	140602	167435	195341	223744	261034
O				79610	105967	143289	170596	199028	227947	265938
				81102	107948	145976	173756	202715	232151	270842
				82594	109928	148663	176916	206402	236354	275746
				84085	111909	151351	180076	210089	240558	280651
R	10	20	40	85577	113890	154038	183236	213775	244761	285555
				87069	115870	156725	186396	217462	248965	290459
				88561	117851	159412	189556	221149	253168	295363
				90053	119832	162100	192716	224836	257371	300267
				91544	121812	164787	195877	228523	261575	305171
K	15	30	60	93036	123793	167474	199037	232210	265778	310075
				94528	125774	170161	202197	235896	269982	314979
				96020	127755	172849	205357	239583	274185	319883
				97512	129735	175536	208517	243270	278389	324787
				99003	131716	178223	211677	246957	282592	329691
				100495	133697	180910	214837	250644	286796	334595
I	20	40	80	101987	135677	183598	217998	254330	290999	339499
				103479	137658	186285	221158	258017	295203	344403
				104971	139639	188972	224318	261704	299406	349307
				106462	141620	191659	227478	265391	303610	354211
				107954	143600	194347	230638	269078	307813	359115
N	25	50	100	109446	145581	197034	233798	272765	312017	364019
				110938	147562	199721	236958	276451	316220	368923
				112430	149542	202409	240118	280138	320423	373827
				113921	151523	205096	243279	283825	324627	378731
G	30	60	120	115413	153504	207783	246439	287512	328830	383635
				116905	155484	210470	249599	291199	333034	388539
				118397	157465	213158	252759	294885	337237	393444
				119889	159446	215845	255919	298572	341441	398348
				121380	161427	218532	259079	302259	345644	403252
				122872	163407	221219	262239	305946	349848	408156
MAX	35	70	140							

MOVEMENT mm				SPRING SIZE						
	V1	V2	V3	H1	H2	H3	H4	H5	H6	H7
				5684	7574	10227	12240	14280	16386	19117
				5836	7776	10501	12562	14656	16815	19617
				5988	7978	10775	12884	15032	17243	20117
				6140	8180	11049	13207	15408	17672	20617
				6292	8382	11323	13529	15784	18101	21117
MIN	0	0	0	6445	8584	11597	13851	16180	18529	21617
				6597	8786	11871	14173	16536	18958	22117
				6749	8988	12145	14496	16912	19386	22618
				6901	9190	12419	14818	17288	19815	23118
				7053	9392	12693	15140	17664	20244	23618
W	5	10	20	7205	9594	12967	15462	18040	20672	24118
				7357	9796	13241	15785	18415	21101	24618
				7509	9998	13515	16107	18791	21530	25118
				7662	10200	13789	16429	19167	21958	25618
				7814	10402	14063	16751	19543	22387	26118
				7966	10604	14337	17074	19919	22816	26618
O	10	20	40	8118	10806	14611	17396	20295	23244	27118
				8270	11008	14885	17718	20671	23673	27618
				8422	11210	15159	18040	21047	24101	28118
				8574	11412	15433	18363	21423	24530	28618
R	15	30	60	8726	11614	15707	18685	21799	24959	29118
				8879	11815	15982	19007	22175	25387	29619
				9031	12017	16256	19329	22551	25816	30119
				9183	12219	16530	19652	22927	26245	30619
				9335	12421	16804	19974	23303	26673	31119
I	20	40	80	9487	12623	17078	20296	23679	27102	31619
				9639	12825	17352	20618	24055	27530	32119
				9791	13027	17626	20941	24431	27959	32619
				9943	13229	17900	21263	24807	28388	33119
				10096	13431	18174	21585	25183	28816	33619
N	25	50	100	10248	13633	18448	21907	25559	29245	34119
				10400	13835	18722	22230	25934	29674	34619
				10552	14037	18996	22552	26310	30102	35119
				10704	14239	19270	22874	26686	30531	35619
				10856	14441	19544	23196	27062	30960	36119
G	30	60	120	11008	14643	19818	23519	27438	31388	36620
				11160	14845	20092	23841	27814	31817	37120
				11313	15047	20366	24163	28190	32245	37620
				11465	15249	20640	24485	28566	32674	38120
				11617	15451	20914	24808	28942	33103	38620
E	35	70	140	11769	15653	21188	25130	29318	33531	39120
				11921	15855	21462	25452	29694	33960	39620
				12073	16057	21736	25774	30070	34389	40120
				12225	16259	22010	26096	30446	34817	40620
				12377	16461	22284	26419	30822	35246	41120
				12529	16663	22558	26741	31198	35675	41620
MAX	35	70	140							

SPRING RATE N/mm	V1	H1	H2	H3	H4	H5	H6	H7
	V1	1492	1981	2802	3160	3687	4203	4904
	V2	745.9	990	1401	1580	1843	2102	2452
	V3	373	495.2	700.6	790	922	1051	1226

SPRING RATE KGF/MM	V1	H1	H2	H3	H4	H5	H6	H7
	V1	152	202	286	322	376	429	500
	V2	76.1	101	143	161	188	214	250
	V3	38.0	50.5	71.4	80.6	94	107	125